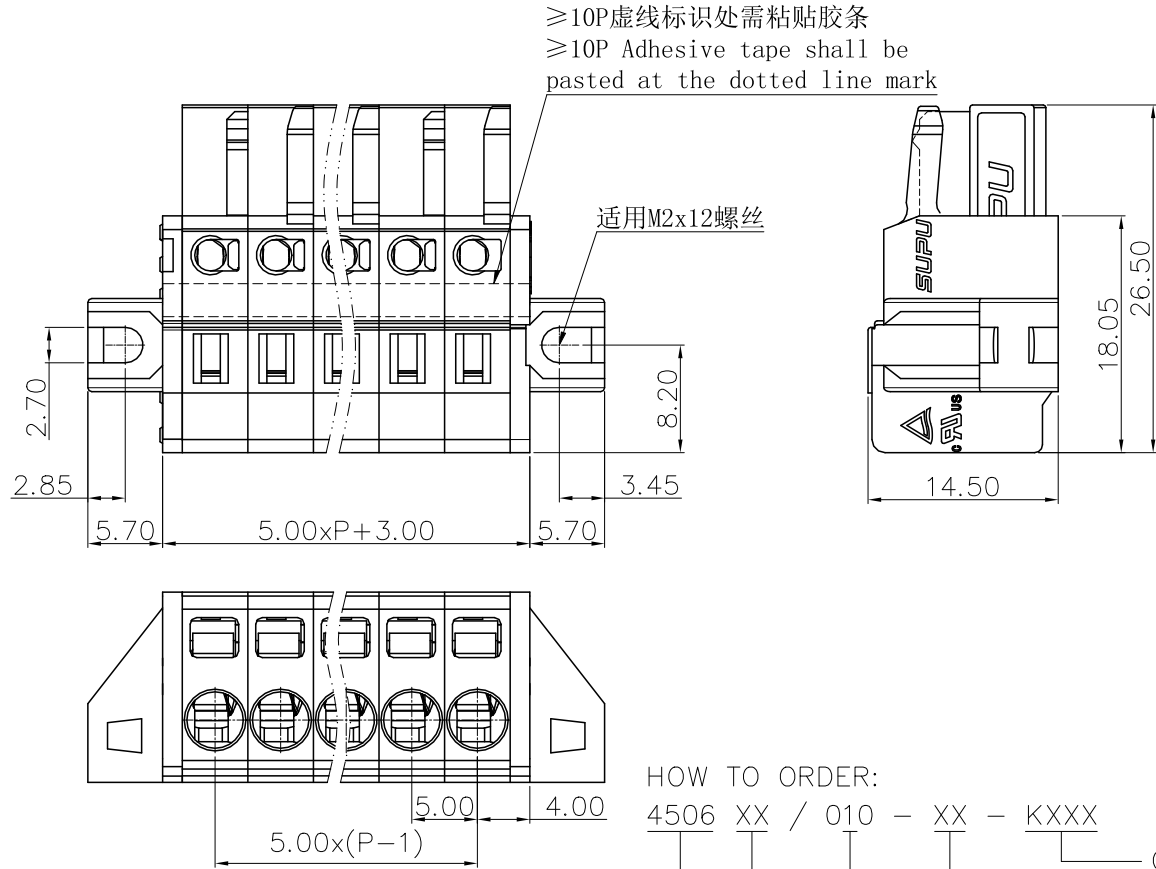
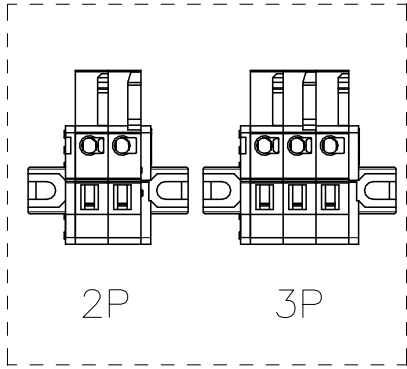


Transmittal, reproduction, dissemination and/or editing of this document as well as utilization of its contents and communication thereof to others without express authorization are prohibited.

未经允许禁止传输、复制、编辑该文档，以及利用其内容进行交流

REVISION RECORD				
REV	CN	DESCRIPTION	DRFT	DATE



**NOTES:**

UL/CUL Standard

1. Conductor cross section : 24~14AWG
2. Rated Voltage/Current :

Use group	B	C	D
Rated voltage(V)	300	-	300
Rated current(A)	15	-	10

IEC Standard

1. Conductor cross section : 0.2~2.5mm<sup>2</sup>
2. Rated Voltage/Current :

Surge voltage category	III	III	II
Pollution degree	3	2	2
Rated surge voltage(KV)	4.0	4.0	4.0
Rated voltage(V)	320	320	630
Rated current(A)	16	16	16

Material:

Insulator	PA66	UL94 V-0
Conductor	COPPER ALLOY	Sn,Plated
Spring	Stainless Steel	/

**General information:**

1. Dimension shall be interpreted per ASME Y14.5-2009
2. Pitch : 5.00mm, Poles : 02~24P
3. Stripping length : 8~9mm
4. Operating temperature: -40°C~+105°C
5. RoHS Compliance
6. Undimensioned Tolerances:

Pitch Range In mm		Nominal Dimension Range In mm							—	∩	∇
TO 6	Over 6 TO 10	Over 10 TO 24	TO 30	Over 30 TO 60	Over 60 TO 100	Over 100 TO 150	Over 150	0.1/10			
	±0.15	±0.20	±0.30	±0.30	±0.50	±0.70	±1.00	±1.30	±2'		

**Connection method:**

1. For Solid wire, peeling wire in right length, push down spring to clapthe wire.
2. For stranded wire, connect directly after peeling in right length, or wire furrled and fix in by pushingthe spring.

**HOW TO ORDER:**

4506 XX / 010 - XX - KXXX

Series No.

Poles:  
02: 02 contacts  
03: 03 contacts  
...  
24: 24 contacts

Customer request  
Color:  
N/A: Light grey  
1: With fixing flange

订货号 Order No.	4506XX/010		名称 Name	450孔型连接器 -防错带固定器	未注公差 Tolerance	表面 Surface	
项目 Item	签字 Signature	日期 Date	图号 Drawing No.	PRM000236	Tolerance Table		VDI21
设计 Design	JCY	2024.06.17	材料 Material	Notes	版本号 Revision Number	重量 Weight	比例 Scale
审核 Check	BYH	2024.06.17	物料号 Item No.	...	M3		1:1
工艺 Process	-	-	物料号 Item No.	411091701	第1页/共1页 1 of 1	mm	
标准化 Unify	-	-	物料号 Item No.	...	<b>SUPU 宁波速普电子有限公司</b> <b>NINGBO SUPU ELECTRONICS CO.,LTD.</b>		
批准 Approve	XJ	2024.06.17	物料号 Item No.	411091723			