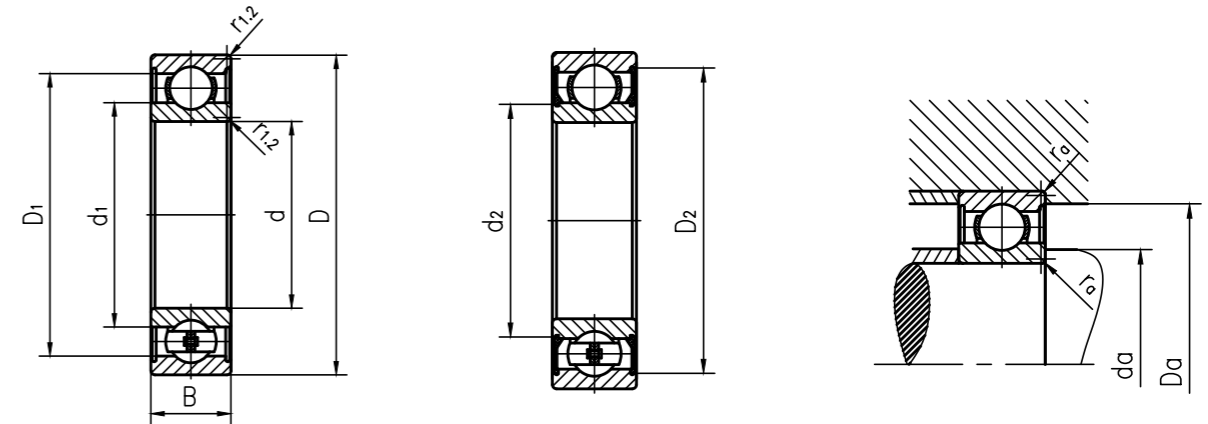


Deep Groove Ball Bearings

Single row deep groove ball bearings

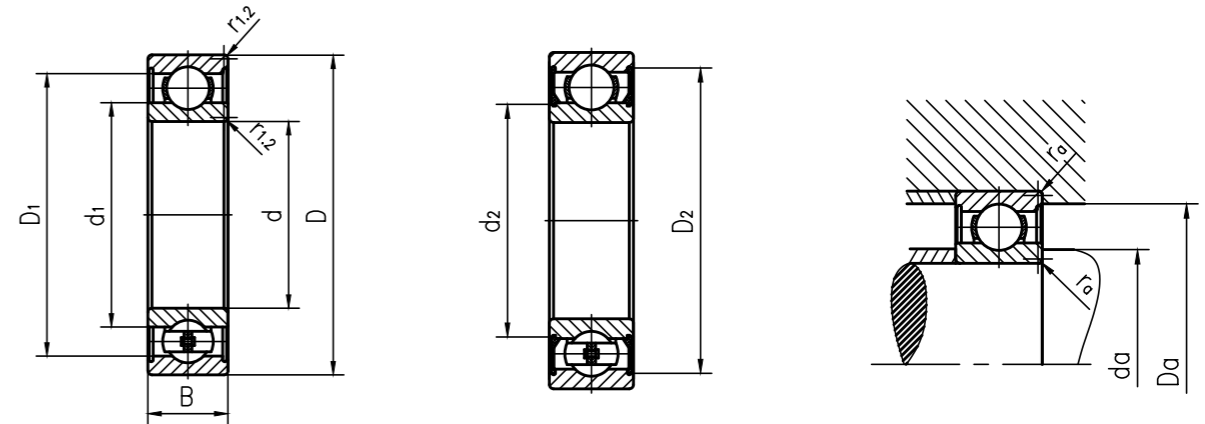


Type Bearing both sides of open or closed seal	One side closed seal	Main dimensions			Dimensions					Shoulder and chamfer dimensions			
		d	D	B	d_1 ≈	d_2 ≈	D_1 ≈	D_2 ≈	$r_{1,2}$ Min.	d_a Min.	d_a Max.	D_a Max.	r_a Max.
-	-	mm			mm					mm			
61819-2RS1	-	95	120	13	103	-	-	115	1	100	102	115	1
61819	-	95	120	13	103	-	-	115	1	100	-	115	1
61919-2RS1	-	95	130	18	106	-	-	122	1.1	101	105	124	1
61919	-	95	130	18	106	-	119	-	1.1	101	-	124	1
16019	-	95	145	16	111	-	-	129	-	100	-	140	1
6019	-	95	145	24	111	-	-	134	1.5	102	-	138	1.5
6019-2RS1	-	95	145	24	111	-	-	134	1.5	102	111	138	1.5
6019-2Z	6019-Z	95	145	24	111	-	-	134	1.5	102	111	138	1.5
6219	-	95	170	32	118	-	-	152	2.1	107	-	158	2
6219 M	-	95	170	32	118	-	-	152	2.1	107	-	158	2
6219-2RS1	6219-RS1	95	170	32	118	-	-	152	2.1	107	118	158	2
6219-2Z	6219-Z	95	170	32	118	-	-	152	2.1	107	118	158	2
6319	-	95	200	45	127	-	-	172	3	109	-	186	2.5
6319 M	-	95	200	45	127	-	-	172	3	109	-	186	2.5
6319-2RS1	6319-RS1	95	200	45	127	-	-	172	3	109	127	186	2.5
6319-2Z	6319-Z	95	200	45	127	-	-	172	3	109	127	186	2.5
61820-2RS1	-	100	125	13	108	-	-	120	1	105	107	120	1
61820-2RZ	-	100	125	13	108	-	-	120	1	105	107	120	1
61820	-	100	125	13	108	-	-	120	1	105	-	120	1
61920	-	100	140	20	112	-	128	-	1.1	106	-	134	1
16020	-	100	150	16	116	-	134	-	1	105	-	145	1
6020M	-	100	150	24	115	-	-	139	1.5	107	-	143	1.5
6020	-	100	150	24	115	-	-	139	1.5	107	-	143	1.5
6020-2RS1	6020-RS1	100	150	24	115	-	-	139	1.5	107	115	143	1.5
6020-2Z	6020-Z	100	150	24	115	-	-	139	1.5	107	115	143	1.5
6220	-	100	180	34	124	-	-	160	2.1	112	-	168	2
6220 M	-	100	180	34	124	-	-	160	2.1	112	-	168	2
6220-2RS1	6220-RS1	100	180	34	124	-	-	160	2.1	112	124	168	2
6220-2Z	6220-Z	100	180	34	124	-	-	160	2.1	112	124	168	2
6320	-	100	215	47	135	-	-	184	3	114	-	201	2.5
6320 M	-	100	215	47	135	-	-	184	3	114	-	201	2.5
6320-2RS1	6320-RS1	100	215	47	135	-	-	184	3	114	135	201	2.5
6320-2Z	6320-Z	100	215	47	135	-	-	184	3	114	135	201	2.5
61821-2RS1	-	105	130	13	112	-	-	125	1	110	112	125	1

Type Bearing both sides of open or closed seal	One side closed seal	Weight	Basic load rating		Fatigue load limit	Rated speed reference speed	Maximum speed	Calculate the coefficient	
			Dynamic	Static				K_f	f_o
-	-	kg	kN		P_u	r/min	-		
61819-2RS1	-	0.31	20.90	18.48	0.98	-	3150	0.015	13
61819	-	0.29	20.90	18.48	0.98	11550	7035	0.015	13
61919-2RS1	-	0.65	35.49	35.18	1.41	-	3150	0.02	17
61919	-	0.61	35.49	35.18	1.41	10500	6615	0.02	17
16019	-	0.89	47.15	43.58	1.71	9975	6300	0.02	16
6019	-	1.2	66.89	56.70	2.18	9975	6300	0.025	16
6019-2RS1	-	1.25	66.89	56.70	2.18	-	2940	0.025	16
6019-2Z	6019-Z	1.25	66.89	56.70	2.18	9975	5040	0.025	16
6219	-	2.65	119.70	85.58	3.15	8400	5250	0.025	14
6219 M	-	3.2	119.70	85.58	3.15	8400	5250	0.025	14
6219-2RS1	6219-RS1	2.7	119.70	85.58	3.15	-	2520	0.025	14
6219-2Z	6219-Z	2.7	119.70	85.58	3.15	8400	4200	0.025	14
6319	-	5.75	166.95	123.90	4.36	7350	4725	0.03	13
6319 M	-	7.05	166.95	123.90	4.36	7350	6615	0.03	13
6319-2RS1	6319-RS1	5.85	166.95	123.90	4.36	-	2310	0.03	13
6319-2Z	6319-Z	5.85	166.95	123.90	4.36	7350	3780	0.03	13
61820-2RS1	-	0.32	18.69	19.22	1	-	3150	0.015	13
61820-2RZ	-	0.32	18.69	19.22	1.00	10500	5565	0.015	13
61820	-	0.3	18.69	19.22	1.00	10500	6615	0.015	13
61920	-	0.83	44.42	43.58	1.71	9975	6300	0.02	16
16020	-	0.94	48.51	46.20	1.79	9975	5880	0.02	17
6020M	-	1.45	66.89	56.70	2.14	9975	7875	0.025	16
6020	-	1.25	66.89	56.70	2.14	9975	5880	0.025	16
6020-2RS1	6020-RS1	1.3	66.89	56.70	2.14	-	2730	0.025	16
6020-2Z	6020-Z	1.3	66.89	56.70	2.14	9975	4725	0.025	16
6220	-	3.2	133.35	97.65	3.52	7875	5040	0.025	14
6220 M	-	3.8	133.35	97.65	3.52	7875	7350	0.025	14
6220-2RS1	6220-RS1	3.3	133.35	97.65	3.52	-	2520	0.025	14
6220-2Z	6220-Z	3.3	133.35	97.65	3.52	7875	3990	0.025	14
6320	-	7.1	182.70	147.00	4.99	7035	4515	0.03	13
6320 M	-	8.7	182.70	147.00	4.99	7035	6300	0.03	13
6320-2RS1	6320-RS1	7.2	182.70	147.00	4.99	-	2100	0.03	13
6320-2Z	6320-Z	7.3	182.70	147.00	4.99	7035	3570	0.03	13
61821-2RS1	-	0.33	21.84	20.58	1.05	-	2940	0.015	13

Deep Groove Ball Bearings

Single row deep groove ball bearings

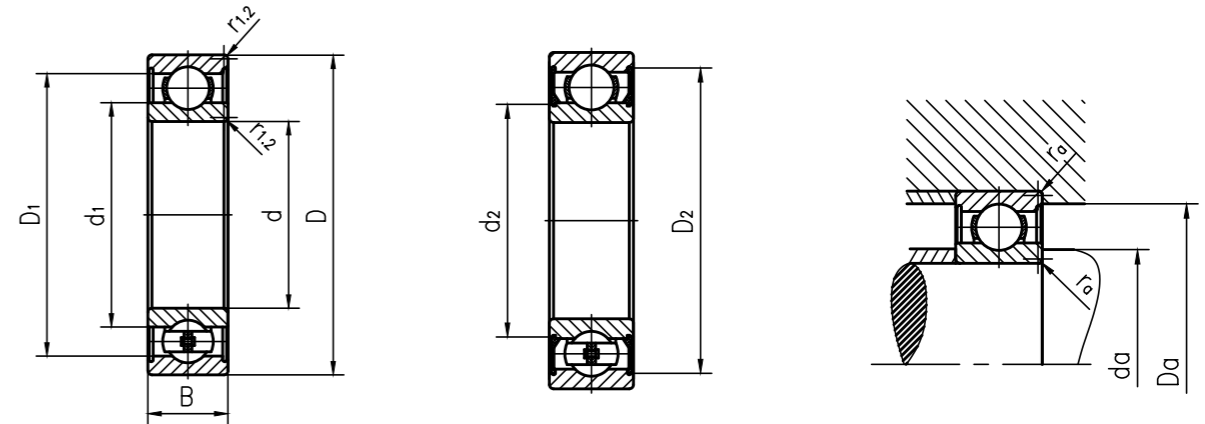


Type Bearing both sides of open or closed seal	One side closed seal	Main dimensions			Dimensions					Shoulder and chamfer dimensions			
		d	D	B	d ₁ ≈	d ₂ ≈	D ₁ ≈	D ₂ ≈	r _{1,2} Min.	d _a Min.	d _a Max.	D _a Max.	r _a Max.
		mm			mm					mm			
-	-												
61821-2RZ	-	105	130	13	112	-	-	125	1	110	112	125	1
61821	-	105	130	13	112	-	-	125	1	110	-	125	1
61921	-	105	145	20	117	-	133	-	1.1	111	-	139	1
16021	-	105	160	18	123	-	142	-	1	110	-	155	1
6021	-	105	160	26	122	-	-	147	2	116	-	149	2
6021 M	-	105	160	26	122	-	-	147	2	116	-	149	2
6021-2RS1	6021-RS1	105	160	26	122	-	-	147	2	116	122	149	2
6021-2Z	6021-Z	105	160	26	122	-	-	147	2	116	122	149	2
6221	-	105	190	36	131	-	-	167	2.1	117	-	178	2
6221-2Z	6221-Z	105	190	36	131	-	-	167	2.1	117	131	178	2
6321-2Z	6321-Z	105	225	49	141	-	-	194	3	119	140	211	2.5
6321	-	105	225	49	141	-	188	-	3	119	-	211	2.5
61822-2RS1	-	110	140	16	118	-	-	135	1	115	118	135	1
61822-2RZ	-	110	140	16	118	-	-	135	1	115	118	135	1
61822	-	110	140	16	118	-	-	135	1	115	-	135	1
61922	-	110	150	20	122	-	138	-	1.1	116	-	144	1
61922 MA	-	110	150	20	122	-	-	81.5	1.1	116	-	144	1
16022	-	110	170	19	130	-	150	-	1	115	-	165	1
6022	-	110	170	28	129	-	-	156	2	119	-	161	2
6022 M	-	110	170	28	129	-	-	156	2	119	-	161	2
6022-2RS1	6022-RS1	110	170	28	129	-	-	156	2	119	128	161	2
6022-2Z	6022-Z	110	170	28	129	-	-	156	2	119	128	161	2
6222	-	110	200	38	138	-	-	177	2.1	122	-	188	2
6222-2RS1	6222-RS1	110	200	38	138	-	-	177	2.1	122	137	188	2
6222-2Z	6222-Z	110	200	38	138	-	-	177	2.1	122	137	188	2
6322	-	110	240	50	149	-	200	-	3	124	-	226	2.5
6322 M	-	110	240	50	149	-	200	-	3	124	-	226	2.5
61824-2RS1	-	120	150	16	128	-	-	145	1	125	128	145	1
61824-2RZ	-	120	150	16	128	-	-	145	1	125	128	145	1
61824	-	120	150	16	128	-	-	145	1	125	-	145	1
61924	-	120	165	22	134	-	151	-	1.1	126	-	159	1
61924 MA	-	120	165	22	134	-	152	-	1.1	126	-	159	1
16024	-	120	180	19	139	-	161	-	1	125	-	175	1
6024 MA	-	120	180	28	139	-	-	166	2	129	-	171	2

Type Bearing both sides of open or closed seal	One side closed seal	Weight	Basic load rating		Fatigue load limit	Rated speed reference speed	Maximum speed	Calculate the coefficient	
			Dynamic	Static				K _r	f ₀
		kg	kN			r/min			
-	-								
61821-2RZ	-	0.33	21.84	20.58	1.05	10500	5250	0.015	13
61821	-	0.31	21.84	20.58	1.05	10500	6615	0.015	13
61921	-	0.87	46.41	46.20	1.79	9975	5880	0.02	17
16021	-	1.2	56.70	53.55	1.95	8925	5565	0.02	16
6021	-	1.6	79.91	68.78	2.52	8925	5565	0.025	16
6021 M	-	1.85	79.91	68.78	2.52	8925	7875	0.025	16
6021-2RS1	6021-RS1	1.65	79.91	68.78	2.52	-	2520	0.025	16
6021-2Z	6021-Z	1.65	79.91	68.78	2.52	8925	4515	0.025	16
6221	-	3.8	147.00	109.20	3.83	7350	4725	0.025	14
6221-2Z	6221-Z	3.9	147.00	109.20	3.83	7350	3780	0.025	14
6321-2Z	6321-Z	8.25	191.10	160.65	5.36	6615	3360	0.03	13
6321	-	8.2	191.10	160.65	5.36	6615	4200	0.03	13
61822-2RS1	-	0.6	29.51	27.30	1.31	-	2730	0.015	14
61822-2RZ	-	0.6	29.51	27.30	1.31	9975	4725	0.015	14
61822	-	0.47	29.51	27.30	1.31	9975	5880	0.015	14
61922	-	0.9	45.78	47.25	1.74	9450	5880	0.02	17
61922 MA	-	1.05	45.78	47.25	1.74	9450	7875	0.02	17
16022	-	1.45	63.53	59.85	2.14	8400	5250	0.02	16
6022	-	1.95	89.46	77.18	2.73	8400	5250	0.025	16
6022 M	-	2.3	89.46	77.18	2.73	8400	7350	0.025	16
6022-2RS1	6022-RS1	2	89.46	77.18	2.73	-	2520	0.025	16
6022-2Z	6022-Z	2.05	89.46	77.18	2.73	8400	4200	0.025	16
6222	-	4.45	158.55	123.90	4.20	7035	4515	0.025	14
6222-2RS1	6222-RS1	4.6	158.55	123.90	4.20	-	2100	0.025	14
6222-2Z	6222-Z	4.6	158.55	123.90	4.20	7035	3570	0.025	14
6322	-	9.65	213.15	189.00	5.99	6300	3990	0.03	13
6322 M	-	11.5	213.15	189.00	5.99	6300	5565	0.03	13
61824-2RS1	-	0.65	30.56	29.40	1.35	-	2520	0.015	14
61824-2RZ	-	0.65	30.56	29.40	1.35	8925	4515	0.015	14
61824	-	0.51	30.56	29.40	1.35	8925	5565	0.015	14
61924	-	1.2	58.07	59.85	2.14	8400	5250	0.02	17
61924 MA	-	1.4	58.07	59.85	2.14	8400	7035	0.02	17
16024	-	1.55	66.89	67.20	2.31	7875	5040	0.02	17
6024 MA	-	2.45	92.82	84.00	2.89	7875	6615	0.025	16

Deep Groove Ball Bearings

Single row deep groove ball bearings

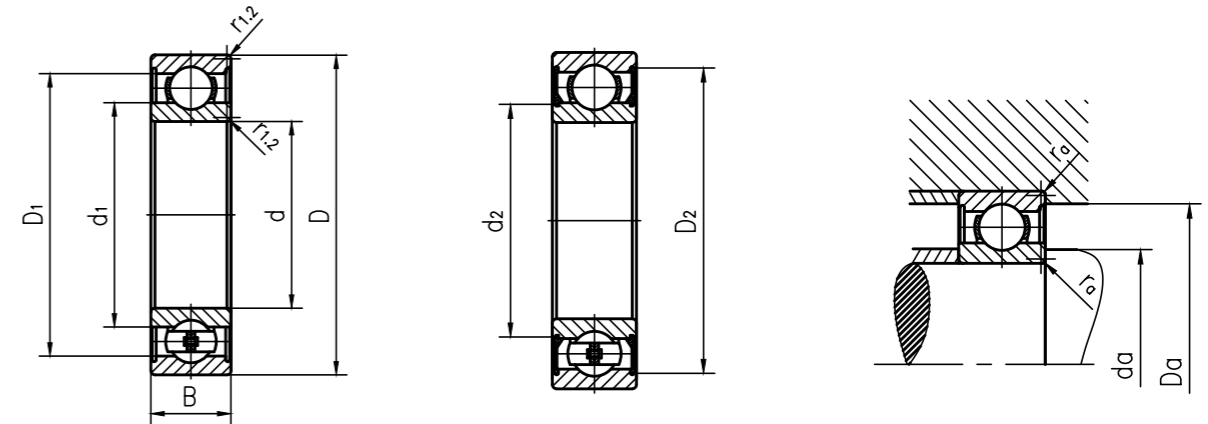


Type Bearing both sides of open or closed seal	One side closed seal	Main dimensions			Dimensions					Shoulder and chamfer dimensions			
		d	D	B	d_1 ≈	d_2 ≈	D_1 ≈	D_2 ≈	$r_{1,2}$ Min.	d_a Min.	d_a Max.	D_a Max.	r_a Max.
		mm			mm					mm			
-	-												
6024	-	120	180	28	139	-	-	166	2	129	-	171	2
6024-2RS1	6024-RS1	120	180	28	139	-	-	166	2	129	139	171	2
6024-2Z	6024-Z	120	180	28	139	-	-	166	2	129	139	171	2
6224	-	120	215	40	150	-	185	-	2.1	132	-	203	2
6224 M	-	120	215	40	150	-	185	-	2.1	132	-	203	2
6224-2RS1	6224-RS1	120	215	40	150	-	-	190	2.1	132	150	203	2
6224-2Z	6224-Z	120	215	40	150	-	-	190	2.1	132	150	203	2
6324	-	120	260	55	164	-	215	-	3	134	-	246	2.5
6324 M	-	120	260	55	164	-	215	-	3	134	-	246	2.5
6324-2RS1	6324-RS1	120	260	55	164	-	-	221	3	134	164	246	2.5
6324-2Z	6324-Z	120	260	55	164	-	-	221	3	134	164	246	2.5
61826-2RS1	-	130	165	18	140	-	-	158	1.1	136	139	159	1
61826-2RZ	-	130	165	18	140	-	-	158	1.1	136	139	159	1
61826	-	130	165	18	140	-	-	158	1.1	136	-	159	1
61926	-	130	180	24	145	-	164	-	1.5	137	-	173	1.5
16026	-	130	200	22	153	-	176	-	1.1	136	-	192	1
6026 M	-	130	200	33	152	-	-	182	2	139	-	191	2
6026	-	130	200	33	152	-	-	182	2	139	-	191	2
6026-2RS1	6026-RS1	130	200	33	152	-	-	182	2	139	152	191	2
6026-2Z	6026-Z	130	200	33	152	-	-	182	2	139	152	191	2
6226 M	-	130	230	40	160	-	198	-	3	144	-	216	2.5
6226	-	130	230	40	160	-	198	-	3	144	-	216	2.5
6226-2RS1	6226-RS1	130	230	40	160	-	-	203	3	144	160	216	2.5
6226-2Z	6226-Z	130	230	40	160	-	-	203	3	144	160	216	2.5
6326	-	130	280	58	177	-	232	-	4	147	-	263	3
6326 M	-	130	280	58	177	-	232	-	4	147	-	263	3
61828-2RS1	-	140	175	18	150	-	-	167	1.1	146	150	169	1
61828-2RZ	-	140	175	18	150	-	-	167	1.1	146	150	169	1
61828	-	140	175	18	150	-	-	167	2.5	146	-	169	1
61928	-	140	190	24	156	-	174	-	1.5	147	-	183	1.5
61928 MA	-	140	190	24	156	-	175	-	1.5	147	-	183	1.5
16028	-	140	210	22	163	-	186	-	1.1	146	-	204	1
6028M	-	140	210	33	162	-	-	192	2	149	-	201	2
6028	-	140	210	33	162	-	-	192	2	149	-	201	2

Type Bearing both sides of open or closed seal	One side closed seal	Weight	Basic load rating		Fatigue load limit	Rated speed reference speed	Maximum speed	Calculate the coefficient	
			Dynamic	Static				K_r	f_o
		kg	kN		P_u	r/min			
-	-								
6024	-	2.1	92.82	84.00	2.89	7875	5040	0.025	16
6024-2RS1	6024-RS1	2.15	92.82	84.00	2.89	-	2310	0.025	16
6024-2Z	6024-Z	2.2	92.82	84.00	2.89	7875	3990	0.025	16
6224	-	5.25	153.30	123.90	4.10	6615	4200	0.025	14
6224 M	-	6.1	153.30	123.90	4.10	6615	5880	0.025	14
6224-2RS1	6224-RS1	5.35	153.30	123.90	4.10	-	1995	0.025	14
6224-2Z	6224-Z	5.35	153.30	123.90	4.10	6615	3360	0.025	14
6324	-	12.5	218.40	195.30	5.99	5880	3570	0.03	14
6324 M	-	14	218.40	195.30	5.99	5880	5250	0.03	14
6324-2RS1	6324-RS1	12.5	218.40	195.30	5.99	-	1785	0.03	14
6324-2Z	6324-Z	12.5	218.40	195.30	5.99	5880	2940	0.03	14
61826-2RS1	-	0.93	39.59	45.15	1.68	-	2310	0.015	16
61826-2RZ	-	0.93	39.59	45.15	1.68	8400	3990	0.015	16
61826	-	0.75	39.59	45.15	1.68	8400	5040	0.015	16
61926	-	1.6	68.25	70.35	2.39	7875	4725	0.02	16
16026	-	2.35	87.36	85.58	2.84	7350	4515	0.02	16
6026 M	-	3.75	117.60	105.00	3.52	7350	5880	0.025	16
6026	-	3.3	117.60	105.00	3.52	7350	4515	0.025	16
6026-2RS1	6026-RS1	3.3	117.60	105.00	3.52	-	2100	0.025	16
6026-2Z	6026-Z	3.35	117.60	105.00	3.52	7350	3570	0.025	16
6226 M	-	6.95	163.80	138.60	4.36	5880	5565	0.025	15
6226	-	5.85	163.80	138.60	4.36	5880	3780	0.025	15
6226-2RS1	6226-RS1	6	163.80	138.60	4.36	-	1890	0.025	15
6226-2Z	6226-Z	6	163.80	138.60	4.36	5880	3150	0.025	15
6326	-	15	240.45	226.80	6.62	5250	3360	0.03	14
6326 M	-	17.5	240.45	226.80	6.62	5250	4725	0.03	14
61828-2RS1	-	0.99	40.95	48.83	1.74	-	2100	0.015	16
61828-2RZ	-	0.99	40.95	48.83	1.74	7875	3780	0.015	16
61828	-	0.82	40.95	48.83	1.74	7875	4725	0.015	16
61928	-	1.7	69.62	75.60	2.48	7350	4515	0.02	15
61928 MA	-	2	69.62	75.60	2.48	7350	5880	0.02	17
16028	-	2.55	84.63	90.83	2.94	7035	4200	0.02	17
6028M	-	4	116.55	113.40	3.62	7035	5565	0.025	16
6028	-	3.45	116.55	113.40	3.62	7035	4200	0.025	16

Deep Groove Ball Bearings

Single row deep groove ball bearings

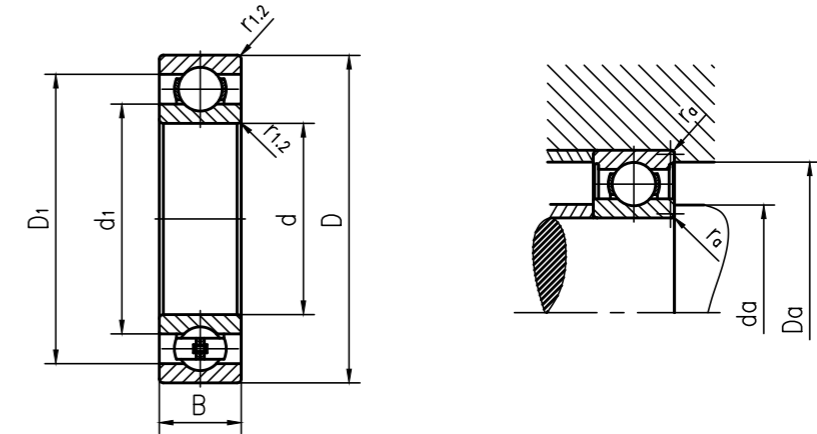


Type Bearing both sides of open or closed seal	One side closed seal	Main dimensions			Dimensions					Shoulder and chamfer dimensions			
		d	D	B	d_1 ≈	d_2 ≈	D_1 ≈	D_2 ≈	$r_{1.2}$ Min.	d_a Min.	d_a Max.	D_a Max.	r_a Max.
-	-	mm			mm					mm			
6028-2RS1	6028-RS1	140	210	33	162	-	-	192	2	149	162	201	2
6028-2Z	6028-Z	140	210	33	162	-	-	192	2	149	162	201	2
6228	-	140	250	42	175	-	213	-	3	154	-	236	2.5
6228MA	-	140	250	42	175	-	214	-	3	154	-	236	2.5
6328	-	140	300	62	190	-	249	-	4	157	-	283	3
6328M	-	140	300	62	190	-	249	-	4	157	-	283	3
61830	-	150	190	20	162	-	178	-	2.5	156	-	184	1
61830MA	-	150	190	20	162	-	178	-	1.1	156	-	184	1
61930MA	-	150	210	28	169	-	192	-	2	159	-	201	2
16030	-	150	225	24	174	-	200	-	1.1	156	-	219	1
6030M	-	150	225	35	174	-	-	206	2.1	160	-	215	2
6030	-	150	225	35	174	-	-	206	2.1	160	-	215	2
6030-2RS1	6030-RS1	150	225	35	174	-	-	206	2.1	160	173	215	2
6030-2Z	6030-Z	150	225	35	174	-	-	206	2.1	160	173	215	2
6230	-	150	270	45	190	-	228	-	3	164	-	256	2.5
6230 M	-	150	270	45	190	-	228	-	3	164	-	256	2.5
6330	-	150	320	65	205	-	264	-	4	167	-	303	3
6330M	-	150	320	65	205	-	264	-	4	167	-	303	3
61832	-	160	200	20	172	-	188	-	1.1	166	-	194	1
61932	-	160	220	28	179	-	201	-	2	169	-	211	2
61932 MA	-	160	220	28	179	-	202	-	2	169	-	211	2
16032	-	160	240	25	185	-	214	-	1.5	167	-	233	1.5
6032M	-	160	240	38	185	-	-	219	2.1	169	-	231	2
6032	-	160	240	38	185	-	-	219	2.1	169	-	231	2
6032-2RS1	6032-RS1	160	240	38	185	-	-	219	2.1	169	185	231	2
6032-2Z	6032-Z	160	240	38	185	-	-	219	2.1	169	185	231	2
6232	-	160	290	48	205	-	243	-	3	174	-	276	2.5
6232 M	-	160	290	48	205	-	243	-	3	174	-	276	2.5
6332	-	160	340	68	218	-	281	-	4	177	-	323	3
6332 M	-	160	340	68	218	-	281	-	4	177	-	323	3
61834	-	170	215	22	184	-	202	-	1.1	176	-	209	1
61934 MA	-	170	230	28	189	-	212	-	2	179	-	221	2
16034	-	170	260	28	200	-	229	-	1.5	177	-	253	1.5
6034	-	170	260	42	198	-	232	-	2.1	180	-	250	2

Type Bearing both sides of open or closed seal	One side closed seal	Weight	Basic load rating		Fatigue load limit	Rated speed reference speed	Maximum speed	Calculate the coefficient	
			Dynamic	Static				K_r	f_0
-	-	kg	kN		P_u	r/min	-	-	-
-	-	kg	kN		P_u	r/min	-	-	-
6028-2RS1	6028-RS1	3.55	116.55	113.40	3.62	-	1890	0.025	16
6028-2Z	6028-Z	3.55	116.55	113.40	3.62	7035	3360	0.025	16
6228	-	7.75	173.25	157.50	4.78	5565	3570	0.025	15
6228MA	-	9.4	173.25	157.50	4.78	5565	5040	0.025	15
6328	-	18.5	263.55	257.25	7.46	5040	3150	0.03	14
6328M	-	21	263.55	257.25	7.46	5040	4515	0.03	14
61830	-	1.2	51.24	64.05	2.06	7035	4515	0.015	17
61830MA	-	1.35	51.24	64.05	2.06	7035	4515	0.015	17
61930MA	-	3.05	92.82	97.65	3.05	6615	5565	0.02	16
16030	-	3.15	96.81	102.90	3.20	6300	3990	0.02	17
6030M	-	4.9	131.25	131.25	4.10	6300	5250	0.025	16
6030	-	4.3	131.25	131.25	4.10	6300	3990	0.025	16
6030-2RS1	6030-RS1	4.35	131.25	131.25	4.10	-	1785	0.025	16
6030-2Z	6030-Z	4.4	131.25	131.25	4.10	6300	3150	0.025	16
6230	-	10	182.70	174.30	5.15	5250	3360	0.025	15
6230 M	-	11.5	182.70	174.30	5.15	5250	4725	0.025	15
6330	-	23	289.80	299.25	8.19	4515	2940	0.03	14
6330M	-	25.5	289.80	299.25	8.19	4515	4200	0.03	14
61832	-	1.25	51.87	67.20	2.1	6615	4200	0.015	17
61932	-	2.7	96.92	102.90	3.20	6300	3990	0.02	17
61932 MA	-	3.2	96.92	102.90	3.20	6300	5250	0.02	17
16032	-	3.65	104.48	113.40	3.41	5880	3780	0.02	17
6032M	-	6	150.15	150.15	4.52	5880	5040	0.025	16
6032	-	5.2	150.15	150.15	4.52	5880	3780	0.025	16
6032-2RS1	6032-RS1	5.3	150.15	150.15	4.52	-	1680	0.025	16
6032-2Z	6032-Z	5.4	150.15	150.15	4.52	5880	2940	0.025	16
6232	-	13	195.30	195.30	5.57	4725	3150	0.025	15
6232 M	-	14	195.30	195.30	5.57	4725	4515	0.025	15
6332	-	26	289.80	299.25	8.03	4200	2730	0.03	14
6332 M	-	30	289.80	299.25	8.03	4200	3990	0.03	14
61834	-	1.65	64.89	81.90	2.52	6300	3780	0.015	17
61934 MA	-	3.35	98.28	111.30	3.31	5880	5040	0.02	17
16034	-	5	124.95	135.45	3.94	5565	3360	0.02	16
6034	-	7	176.40	181.65	5.25	5565	3360	0.025	16

Deep Groove Ball Bearings

Single row deep groove ball bearings



Type Bearing both sides of open or closed seal	One side closed seal	Main dimensions			Dimensions					Shoulder and chamfer dimensions			
		d	D	B	d ₁ ≈	d ₂ ≈	D ₁ ≈	D ₂ ≈	r _{1,2} Min.	d _a Min.	d _a Max.	D _a Max.	r _a Max.
-	-	mm			mm					mm			
6034M	-	170	260	42	198	-	232	-	2.1	180	-	250	2
6234	-	170	310	52	218	-	259	-	4	187	-	293	3
6234 M	-	170	310	52	218	-	259	-	4	187	-	293	3
6334	-	170	360	72	230	-	299	-	4	187	-	343	3
6334 M	-	170	360	72	230	-	299	-	4	187	-	343	3
61836	-	180	225	22	194	-	211	-	1.1	186	-	219	1
61936	-	180	250	33	202	-	228	-	2	189	-	241	2
61936 MA	-	180	250	33	202	-	229	-	2	189	-	241	2
16036	-	180	280	31	213	-	246	-	2	189	-	271	2
6036	-	180	280	46	212	-	248	-	2.1	190	-	270	2
6036 M	-	180	280	46	212	-	248	-	2.1	190	-	270	2
6236	-	180	320	52	226	-	274	-	4	197	-	303	3
6236 M	-	180	320	52	226	-	274	-	4	197	-	303	3
6336	-	180	380	75	244	-	315	-	4	197	-	363	3
6336 M	-	180	380	75	244	-	315	-	4	197	-	363	3
61838	-	190	240	24	206	-	224	-	1.5	197	-	233	1.5
61938	-	190	260	33	212	-	238	-	2	199	-	251	2
61938 MA	-	190	260	33	212	-	239	-	2	199	-	251	2
16038	-	190	290	31	223	-	256	-	2	199	-	281	2
6038	-	190	290	46	222	-	258	-	2.1	200	-	280	2
6038 M	-	190	290	46	222	-	258	-	2.1	200	-	280	2
6238	-	190	340	55	239	-	290	-	4	207	-	323	3
6238 M	-	190	340	55	239	-	290	-	4	207	-	323	3
6338	-	190	400	78	259	-	331	-	5	210	-	380	4
6338 M	-	190	400	78	259	-	331	-	5	210	-	380	4
61840	-	200	250	24	216	-	234	-	1.5	207	-	243	1.5
61940	-	200	280	38	225	-	255	-	2.1	210	-	270	2
61940 MA	-	200	280	38	225	-	256	-	2.1	210	-	270	2
16040	-	200	310	34	237	-	273	-	2	209	-	301	2
6040	-	200	310	51	235	-	275	-	2.1	210	-	300	2
6040 M	-	200	310	51	235	-	275	-	2.1	210	-	300	2
6240	-	200	360	58	254	-	303	-	4	217	-	343	3
6240 M	-	200	360	58	254	-	303	-	4	217	-	343	3
61844	-	220	270	24	236	-	254	-	1.5	227	-	263	1.5

Type Bearing both sides of open or closed seal	One side closed seal	Weight	Basic load rating		Fatigue load limit	Rated speed reference speed	Maximum speed	Calculate the coefficient	
			Dynamic	Static				K _r	f ₀
-	-	kg	kN		-	r/min	-		
6034M	-	8.15	176.40	181.65	5.25	5565	4515	0.025	16
6234	-	16	222.60	235.20	6.41	4515	2940	0.025	15
6234 M	-	17.5	222.60	235.20	6.41	4515	3990	0.025	15
6334	-	31	327.60	357.00	9.24	3990	2520	0.03	14
6334 M	-	35	327.60	357.00	9.24	3990	3570	0.03	14
61836	-	1.75	65.52	85.58	2.57	5880	3570	0.015	17
61936	-	5	124.95	140.70	4.10	5565	3360	0.02	17
61936 MA	-	5	124.95	140.70	4.10	5565	4515	0.02	17
16036	-	6.5	144.90	153.30	4.36	5040	3150	0.02	16
6036	-	9.1	199.50	210.00	5.88	5040	3150	0.025	16
6036 M	-	10.5	199.50	210.00	5.88	5040	4200	0.025	16
6236	-	16	240.45	252.00	6.72	4200	2730	0.025	15
6236 M	-	18	240.45	252.00	6.72	4200	3990	0.025	15
6336	-	36.5	368.55	425.25	10.92	3780	2310	0.03	14
6336 M	-	41	368.55	425.25	10.92	3780	3360	0.03	14
61838	-	2.25	79.91	102.90	2.94	5565	3360	0.015	17
61938	-	4.5	122.85	140.70	3.99	5250	3360	0.02	17
61938 MA	-	5.2	122.85	140.70	3.99	5250	4515	0.02	17
16038	-	6.9	155.40	174.30	4.78	5040	3150	0.02	16
6038	-	9.55	204.75	226.80	6.14	5040	3150	0.025	16
6038 M	-	11	204.75	226.80	6.14	5040	3990	0.025	16
6238	-	19.5	267.75	294.00	7.72	3990	2520	0.025	15
6238 M	-	21.5	267.75	294.00	7.72	3990	3570	0.025	15
6338	-	42	389.55	451.50	11.34	3570	2310	0.03	14
6338 M	-	47.5	389.55	451.50	11.34	3570	3150	0.03	14
61840	-	2.35	79.91	107.10	3.05	5250	3360	0.015	17
61940	-	6.3	155.40	174.30	4.78	5040	3150	0.02	16
61940 MA	-	7.3	155.40	174.30	4.78	5040	3990	0.02	16
16040	-	8.8	176.40	199.50	5.36	4515	2940	0.02	16
6040	-	12.5	226.80	257.25	6.72	4515	2940	0.025	16
6040 M	-	14	226.80	257.25	6.72	4515	3780	0.025	16
6240	-	23.5	283.50	325.50	8.19	3780	2310	0.025	15
6240 M	-	26	283.50	325.50	8.19	3780	3360	0.025	15
61844	-	2.55	81.90	115.50	3.15	4725	2940	0.015	17