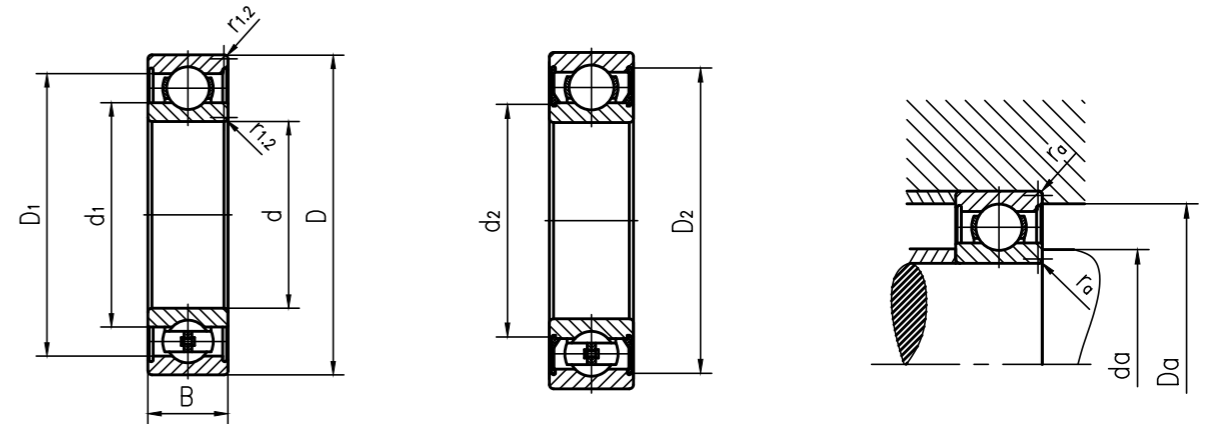


Deep Groove Ball Bearings

Single row deep groove ball bearings

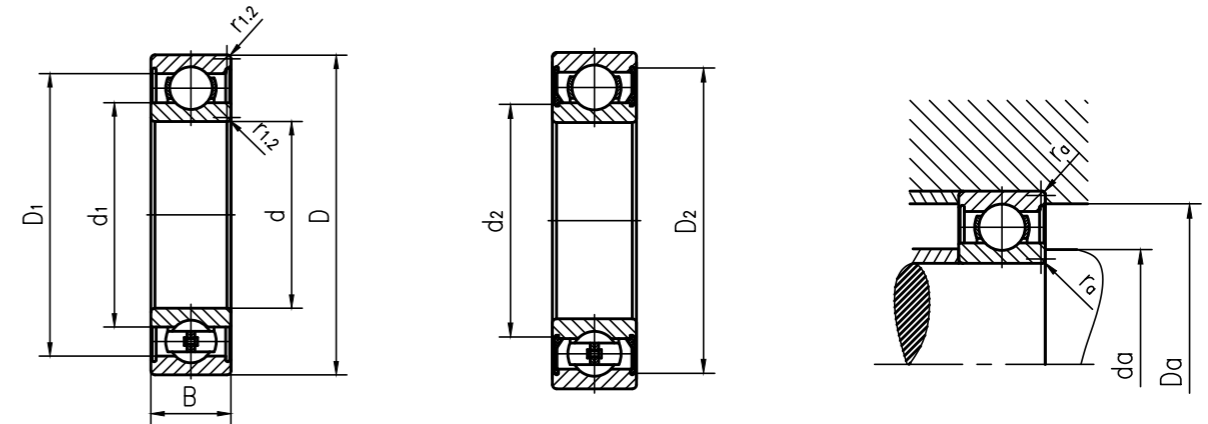


Type Bearing both sides of open or closed seal	One side closed seal	Main dimensions			Dimensions					Shoulder and chamfer dimensions			
		d	D	B	d_1 ≈	d_2 ≈	D_1 ≈	D_2 ≈	$r_{1,2}$ Min.	d_a Min.	d_a Max.	D_a Max.	r_a Max.
		mm			mm					mm			
-	-												
623	-	3	10	4	5.2	-	-	8.2	0.15	4.2	-	8.8	0.1
623-2RS1	623-RS1	3	10	4	5.2	-	-	8.2	0.15	4.2	5.1	8.8	0.1
623-2Z	623-Z	3	10	4	5.2	-	-	8.2	0.15	4.2	5.1	8.8	0.1
618/4	-	4	9	2.5	5.2	-	7.5	-	0.1	4.6	-	8.4	0.1
628/4-2Z	-	4	9	3.5	5.2	-	-	8.1	0.1	4.6	5.1	8.4	0.1
638/4-2Z	-	4	9	4	5.2	-	-	8.1	0.1	4.6	5.1	8.4	0.1
619/4-2Z	-	4	11	4	6.1	-	-	9.9	0.15	4.8	5.8	10.2	0.1
619/4	-	4	11	4	6.1	-	-	9.9	0.15	4.8	-	10.2	0.1
604	-	4	12	4	6.1	-	-	9.8	0.2	5.4	-	10.6	0.2
604-2Z	604-Z	4	12	4	6.1	-	-	9.8	0.2	5.4	6	10.6	0.2
624	-	4	13	5	6.7	-	-	11.2	0.2	5.8	-	11.2	0.2
624-2Z	624-Z	4	13	5	6.7	-	-	11.2	0.2	5.8	6.6	11.2	0.2
634	-	4	16	5	8.4	-	-	13.3	0.3	6.4	-	13.6	0.3
634-2RS1	634-RS1	4	16	5	8.4	-	-	13.3	0.3	6.4	8.3	13.6	0.3
634-2RZ	634-RZ	4	16	5	8.4	-	-	13.3	0.3	6.4	8.3	13.6	0.3
634-2Z	634-Z	4	16	5	8.4	-	-	13.3	0.3	6.4	8.3	13.6	0.3
618/5	-	5	11	3	6.8	-	9.2	-	0.15	5.8	-	10.2	0.1
628/5-2Z	-	5	11	4	6.8	-	-	9.9	0.15	5.8	6.7	10.2	0.1
638/5-2Z	-	5	11	5	-	6.2	-	9.9	0.15	5.8	6	10.2	0.1
619/5-2Z	-	5	13	4	7.5	-	-	11.2	0.2	6.4	7.5	11.6	0.2
619/5	-	5	13	4	7.5	-	-	11.2	0.2	6.4	-	11.6	0.2
625	-	5	16	5	8.4	-	-	13.3	0.3	7.4	-	13.6	0.3
625-2Z	625-Z	5	16	5	8.4	-	-	13.3	0.3	7.4	8.3	13.6	0.3
635	-	5	19	6	11.1	-	-	16.5	0.3	7.4	-	16.6	0.3
635-2RS1	635-RS1	5	19	6	11.1	-	-	16.5	0.3	7.4	10.6	16.6	0.3
635-2RZ	635-RZ	5	19	6	11.1	-	-	16.5	0.3	7.4	10.6	16.6	0.3
635-2Z	635-Z	5	19	6	11.1	-	-	16.5	0.3	7.4	10.6	16.6	0.3
618/6	-	6	13	3.5	8	-	11	-	0.15	6.8	-	12.2	0.1
628/6-2Z	-	6	13	5	-	7.4	-	11.7	0.15	6.8	7.2	12.2	0.1
619/6-2Z	-	6	15	5	8.2	-	-	13	0.2	7.4	8	13.6	0.2
619/6	-	6	15	5	8.2	-	-	13	0.2	7.4	-	13.6	0.2
626	-	6	19	6	11.1	-	-	16.5	0.3	8.4	-	16.6	0.3
626-2RSH	626-RSH	6	19	6	-	9.5	-	16.5	0.3	8.4	9.4	16.6	0.3
626-2RSL	626-RSL	6	19	6	-	9.5	-	16.5	0.3	8.4	9.4	16.6	0.3
626-2Z	626-Z	6	19	6	11.1	-	-	16.5	0.3	8.4	11	16.6	0.3

Type Bearing both sides of open or closed seal	One side closed seal	Weight	Basic load rating		Fatigue load limit	Rated speed reference speed	Maximum speed	Calculate the coefficient	
			Dynamic	Static				K_r	f_o
			C	C_0	P_u				
		kg	kN			r/min			
-	-								
623	-	0.0015	0.57	0.19	0.01	136500	84000	0.025	7.5
623-2RS1	623-RS1	0.0015	0.57	0.19	0.01	-	42000	0.025	7.5
623-2Z	623-Z	0.0015	0.57	0.19	0.01	136500	63000	0.025	7.5
618/4	-	0.0007	0.44	0.12	0.01	147000	89250	0.015	6.5
628/4-2Z	-	0.001	0.57	0.19	0.07	147000	73500	0.015	10
638/4-2Z	-	0.0013	0.57	0.19	0.07	147000	73500	0.015	10
619/4-2Z	-	0.0017	0.66	0.19	0.01	136500	66150	0.02	6.4
619/4	-	0.0017	0.66	0.19	0.01	136500	84000	0.02	6.4
604	-	0.0021	0.85	0.29	0.01	126000	78750	0.025	10
604-2Z	604-Z	0.0021	0.85	0.29	0.01	126000	63000	0.025	10
624	-	0.0031	0.98	0.30	0.01	115500	70350	0.025	10
624-2Z	624-Z	0.0031	0.98	0.30	0.01	115500	55650	0.025	7.3
634	-	0.0054	1.17	0.40	0.02	99750	63000	0.03	8.4
634-2RS1	634-RS1	0.0054	1.17	0.40	0.02	-	29400	0.03	8.4
634-2RZ	634-RZ	0.0054	1.17	0.40	0.02	99750	50400	0.03	8.4
634-2Z	634-Z	0.0054	1.17	0.40	0.02	99750	50400	0.03	8.4
618/5	-	0.0012	0.49	0.15	0.01	126000	78750	0.015	7.1
628/5-2Z	-	0.0014	0.67	0.27	0.01	126000	63000	0.015	11
638/5-2Z	-	0.0016	0.67	0.27	0.01	126000	63000	0.015	11
619/5-2Z	-	0.0025	0.93	0.35	0.01	115500	52500	0.02	11
619/5	-	0.0025	0.93	0.35	0.01	115500	73500	0.02	11
625	-	0.005	1.20	0.40	0.02	99750	63000	0.025	8.4
625-2Z	625-Z	0.005	1.20	0.40	0.02	99750	50400	0.025	8.4
635	-	0.0085	2.46	1.00	0.04	84000	52500	0.03	13
635-2RS1	635-RS1	0.009	2.46	1.00	0.04	-	25200	0.03	13
635-2RZ	635-RZ	0.009	2.46	1.00	0.04	84000	42000	0.03	13
635-2Z	635-Z	0.0093	2.46	1.00	0.04	84000	42000	0.03	13
618/6	-	0.002	0.75	0.24	0.01	115500	70350	0.015	7
628/6-2Z	-	0.0026	0.92	0.37	0.02	115500	55650	0.015	11
619/6-2Z	-	0.0039	0.93	0.28	0.01	105000	52500	0.02	6.8
619/6	-	0.0039	0.93	0.28	0.01	105000	66150	0.02	6.8
626	-	0.0081	2.46	1.00	0.04	84000	52500	0.025	13
626-2RSH	626-RSH	0.0083	2.46	1.00	0.04	-	25200	0.025	13
626-2RSL	626-RSL	0.0083	2.46	1.00	0.04	84000	42000	0.025	13
626-2Z	626-Z	0.0088	2.46	1.00	0.04	84000	42000	0.025	13

Deep Groove Ball Bearings

Single row deep groove ball bearings

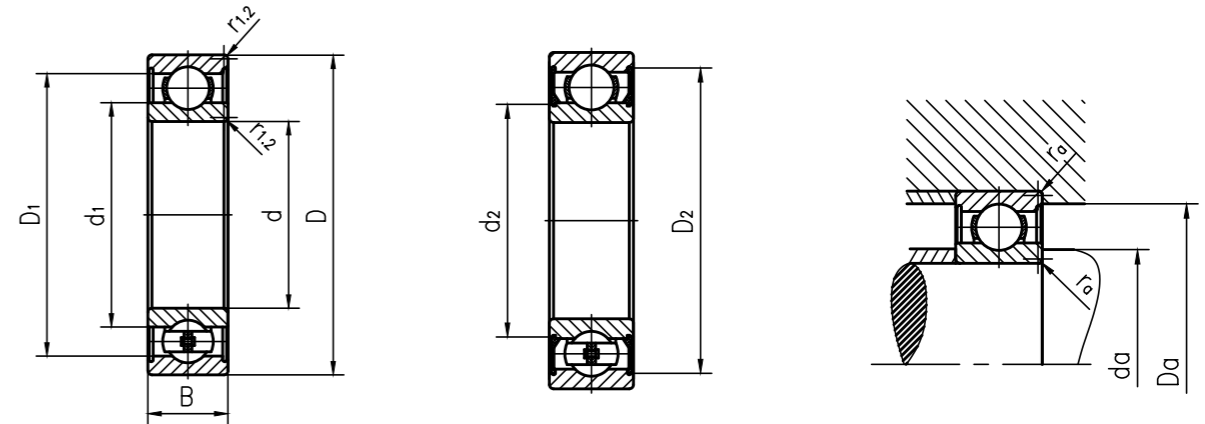


Type Bearing both sides of open or closed seal	One side closed seal	Main dimensions			Dimensions					Shoulder and chamfer dimensions			
		d	D	B	d_1 ≈	d_2 ≈	D_1 ≈	D_2 ≈	$r_{1,2}$ Min.	d_a Min.	d_a Max.	D_a Max.	r_a Max.
-	-	mm			mm					mm			
618/7	-	7	14	3.5	9	-	12	-	0.15	7.8	-	13.2	0.1
628/7-2Z	-	7	14	5	-	8.5	-	12.7	0.15	7.8	8	13.2	0.1
619/7-2Z	-	7	17	5	10.4	-	-	14.3	0.3	9	9.7	15	0.3
619/7	-	7	17	5	10.4	-	-	14.3	0.3	9	-	15	0.3
607	-	7	19	6	11.1	-	-	16.5	0.3	9	-	17	0.3
607-2RSH	607-RSH	7	19	6	-	9.5	-	16.5	0.3	9	9.4	17	0.3
607-2RSL	607-RSL	7	19	6	-	9.5	-	16.5	0.3	9	9.4	17	0.3
607-2Z	607-Z	7	19	6	11.1	-	-	16.5	0.3	9	11	17	0.3
627	-	7	22	7	12.1	-	-	19.2	0.3	9.4	-	19.6	0.3
627-2RSH	627-RSH	7	22	7	-	10.5	-	19.2	0.3	9.4	10.5	19.6	0.3
627-2RSL	627-RSL	7	22	7	-	10.5	-	19.2	0.3	9.4	10.5	19.6	0.3
627-2Z	627-Z	7	22	7	12.1	-	-	19.2	0.3	9.4	12.1	19.6	0.3
618/8	-	8	16	4	10.5	-	13.5	-	0.2	9.4	-	14.6	0.2
628/8-2RS1	-	8	16	5	10.1	-	-	14.2	0.2	9.4	9.4	14.6	0.2
628/8-2Z	-	8	16	5	10.1	-	-	14.2	0.2	9.4	10	14.6	0.2
638/8-2Z	-	8	16	6	-	9.6	-	14.2	0.2	9.4	9.5	14.6	0.2
619/8-2RS1	-	8	19	6	-	9.8	-	16.7	0.3	9.5	9.8	17	0.3
619/8-2Z	-	8	19	6	-	9.8	-	16.7	0.3	9.5	9.8	17	0.3
619/8	-	8	19	6	10.5	-	-	16.7	0.3	10	-	17	0.3
607/8-2Z	607/8-Z	8	19	6	11.1	-	-	16.5	0.3	10	11	17	0.3
608	-	8	22	7	12.1	-	-	19.2	0.3	10	-	20	0.3
608-2RSH	608-RSH	8	22	7	-	10.5	-	19.2	0.3	10	10.5	20	0.3
608-2RSL	608-RSL	8	22	7	-	10.5	-	19.2	0.3	10	10.5	20	0.3
608-2Z	608-Z	8	22	7	12.1	-	-	19.2	0.3	10	12	20	0.3
630/8-2RS1	-	8	22	11	11.8	-	-	19	0.3	10	11.7	20	0.3
628	-	8	24	8	14.4	-	-	21.2	0.3	10.4	-	21.6	0.3
628-2RS1	628-RS1	8	24	8	14.4	-	-	21.2	0.3	10.4	14.4	21.6	0.3
628-2RZ	628-RZ	8	24	8	14.4	-	-	21.2	0.3	10.4	14.4	21.6	0.3
628-2Z	628-Z	8	24	8	14.4	-	-	21.2	0.3	10.4	14.4	21.6	0.3
638-2RZ	638-RZ	8	28	9	14.8	-	-	22.6	0.3	10.4	14.7	25.6	0.3
618/9	-	9	17	4	11.5	-	14.5	-	0.2	10.4	-	15.6	0.2
628/9-2RS1	-	9	17	5	-	10.7	-	15.2	0.2	10.4	10.5	15.6	0.2
628/9-2Z	628/9-Z	9	17	5	-	10.7	-	15.2	0.2	10.4	10.5	15.6	0.2
619/9-2Z	-	9	20	6	11.6	-	-	17.5	0.3	11	11.5	18	0.3

Type Bearing both sides of open or closed seal	One side closed seal	Weight	Basic load rating		Fatigue load limit	Rated speed reference speed	Maximum speed	Calculate the coefficient	
			Dynamic	Static				K_f	f_0
-	-	kg	C	C_0	P_u	r/min	-	-	
618/7	-	0.0022	0.82	0.27	0.01	105000	66150	0.015	7.2
628/7-2Z	-	0.0031	1.00	0.42	0.02	105000	52500	0.015	11
619/7-2Z	-	0.0049	1.11	0.39	0.02	94500	47250	0.02	7.3
619/7	-	0.0049	1.11	0.39	0.02	94500	58800	0.02	7.3
607	-	0.0076	2.46	1.00	0.04	89250	55650	0.025	13
607-2RSH	607-RSH	0.0078	2.46	1.00	0.04	-	25200	0.025	13
607-2RSL	607-RSL	0.0078	2.46	1.00	0.04	89250	45150	0.025	13
607-2Z	607-Z	0.0084	2.46	1.00	0.04	89250	45150	0.025	13
627	-	0.012	3.62	1.44	0.06	73500	47250	0.025	12
627-2RSH	627-RSH	0.013	3.62	1.44	0.06	-	23100	0.025	12
627-2RSL	627-RSL	0.013	3.62	1.44	0.06	73500	37800	0.025	12
627-2Z	627-Z	0.013	3.62	1.44	0.06	73500	37800	0.025	12
618/8	-	0.003	0.86	0.32	0.01	94500	58800	0.015	7.5
628/8-2RS1	-	0.0036	1.40	0.60	0.03	-	27300	0.015	11
628/8-2Z	-	0.0036	1.40	0.60	0.03	94500	47250	0.015	11
638/8-2Z	-	0.0043	1.40	0.60	0.03	94500	47250	0.015	11
619/8-2RS1	-	0.0071	1.53	0.49	0.02	-	25200	0.02	6.6
619/8-2Z	-	0.0071	1.53	0.49	0.02	89250	45150	0.02	6.6
619/8	-	0.0071	1.53	0.49	0.02	89250	55650	0.02	6.6
607/8-2Z	607/8-Z	0.0072	2.46	1.00	0.04	89250	45150	0.025	13
608	-	0.012	3.62	1.44	0.06	78750	50400	0.025	12
608-2RSH	608-RSH	0.012	3.62	1.44	0.06	-	23100	0.025	12
608-2RSL	608-RSL	0.012	3.62	1.44	0.06	78750	39900	0.025	12
608-2Z	608-Z	0.013	3.62	1.44	0.06	78750	39900	0.025	12
630/8-2RS1	-	0.016	3.62	1.44	0.06	-	23100	0.025	12
628	-	0.018	4.10	1.74	0.07	66150	42000	0.025	13
628-2RS1	628-RS1	0.017	4.10	1.74	0.07	-	19950	0.025	13
628-2RZ	628-RZ	0.017	4.10	1.74	0.07	66150	33600	0.025	13
628-2Z	628-Z	0.018	4.10	1.74	0.07	66150	33600	0.025	13
638-2RZ	638-RZ	0.03	1.40	0.60	0.03	63000	31500	0.03	12
618/9	-	0.0034	0.91	0.36	0.01	89250	55650	0.015	7.7
628/9-2RS1	-	0.0043	1.50	0.67	0.03	-	25200	0.015	11
628/9-2Z	628/9-Z	0.0043	1.50	0.67	0.03	89250	45150	0.015	11
619/9-2Z	-	0.0076	2.46	1.03	0.05	84000	42000	0.02	12

Deep Groove Ball Bearings

Single row deep groove ball bearings

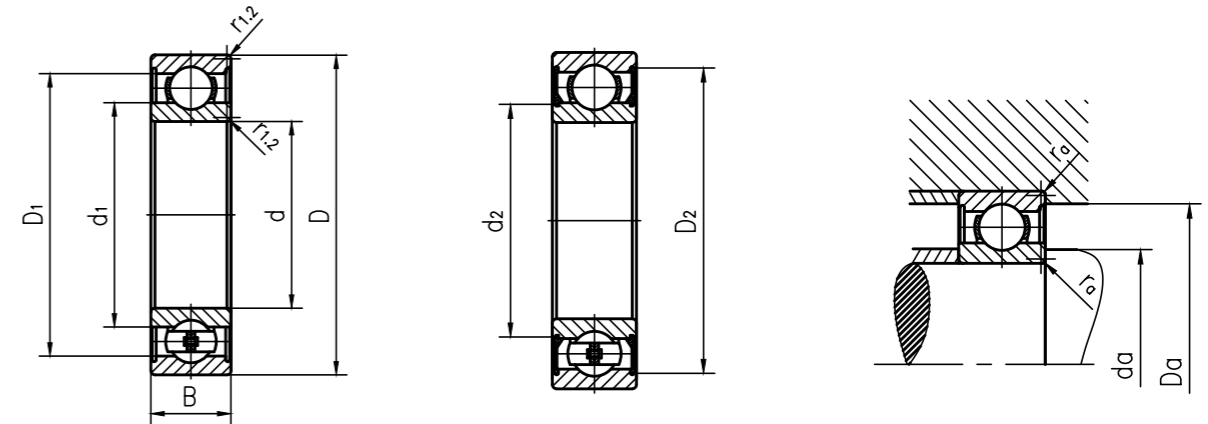


Type Bearing both sides of open or closed seal	One side closed seal	Main dimensions			Dimensions					Shoulder and chamfer dimensions			
		d	D	B	d_1	d_2	D_1	D_2	$r_{1.2}$ Min.	d_a Min.	d_a Max.	D_a Max.	r_a Max.
		mm			mm					mm			
-	-	9	20	6	11.6	-	-	17.5	0.3	11	-	18	0.3
619/9	-	9	24	7	14.4	-	-	21.2	0.3	11	-	22	0.3
609	-	9	24	7	-	12.8	-	21.2	0.3	11	12.5	22	0.3
609-2RSH	609-RSH	9	24	7	-	12.8	-	21.2	0.3	11	12.5	22	0.3
609-2RSL	609-RSL	9	24	7	-	12.8	-	21.2	0.3	11	12.5	22	0.3
609-2Z	609-Z	9	24	7	14.4	-	-	21.2	0.3	11	14.3	22	0.3
629	-	9	26	8	14.8	-	-	22.6	0.3	11.4	-	23.6	0.3
629-2RSH	629-RSH	9	26	8	-	12.5	-	22.6	0.3	11.4	12.5	23.6	0.3
629-2RSL	629-RSL	9	26	8	-	12.5	-	22.6	0.3	11.4	12.5	23.6	0.3
629-2Z	629-Z	9	26	8	14.8	-	-	22.6	0.3	11.4	14.7	23.6	0.3
61800-2RS1	-	10	19	5	-	11.8	-	17.2	0.3	11.8	11.8	17	0.3
61800-2Z	-	10	19	5	12.7	-	-	17.2	0.3	12	12.5	17	0.3
61800	-	10	19	5	12.7	-	16.3	-	0.3	12	-	17	0.3
61900-2RS1	-	10	22	6	-	13.2	-	19.4	0.3	12	12	20	0.3
61900-2Z	-	10	22	6	13.9	-	-	19.4	0.3	12	12.9	20	0.3
61900	-	10	22	6	13.9	-	18.2	-	0.3	12	-	20	0.3
6000	-	10	26	8	14.8	-	-	22.6	0.3	12	-	24	0.3
6000-2RSH	6000-RSH	10	26	8	-	12.5	-	22.6	0.3	12	12.5	24	0.3
6000-2RSL	6000-RSL	10	26	8	-	12.5	-	22.6	0.3	12	12.5	24	0.3
6000-2Z	6000-Z	10	26	8	14.8	-	-	22.6	0.3	12	14.7	24	0.3
63000-2RS1	-	10	26	12	14.8	-	-	22.6	0.3	12	14.7	24	0.3
16100-2Z	-	10	28	8	17	-	-	24.8	0.3	14.2	16.6	23.8	0.3
16100	-	10	28	8	17	-	-	24.8	0.3	14.2	-	23.8	0.3
6200	-	10	30	9	17	-	-	24.8	0.6	14.2	-	25.8	0.6
6200-2RSH	6200-RSH	10	30	9	-	15	-	24.8	0.6	14.2	15	25.8	0.6
6200-2RSL	6200-RSL	10	30	9	-	15	-	24.8	0.6	14.2	15	25.8	0.6
6200-2Z	6200-Z	10	30	9	17	-	-	24.8	0.6	14.2	16.9	25.8	0.6
62200-2RS1	-	10	30	14	17	-	-	24.8	0.6	14.2	16.9	25.8	0.6
6300	-	10	35	11	17.5	-	-	28.7	0.6	14.2	-	30.8	0.6
6300-2RSH	6300-RSH	10	35	11	-	15.5	-	28.7	0.6	14.2	15.5	30.8	0.6
6300-2RSL	6300-RSL	10	35	11	-	15.5	-	28.7	0.6	14.2	15.5	30.8	0.6
6300-2Z	6300-Z	10	35	11	17.5	-	-	28.7	0.6	14.2	17.4	30.8	0.6
62300-2RS1	-	10	35	17	17.5	-	-	28.7	0.6	14.2	17.4	30.8	0.6
61801-2RS1	-	12	21	5	-	14.1	-	19	0.3	13.6	13.8	19	0.3
61801-2Z	-	12	21	5	14.8	-	-	19	0.3	14	14.7	19	0.3

Type Bearing both sides of open or closed seal	One side closed seal	Weight	Basic load rating		Fatigue load limit	Rated speed reference speed	Maximum speed	Calculate the coefficient	
			Dynamic	Static				K_r	f_o
		kg	kN		P_u	r/min			
			C	C_0					
-	-								
619/9	-	0.0076	2.46	1.03	0.05	84000	52500	0.02	12
609	-	0.014	4.10	1.74	0.07	73500	45150	0.025	13
609-2RSH	609-RSH	0.015	4.10	1.74	0.07	-	19950	0.025	13
609-2RSL	609-RSL	0.014	4.10	1.74	0.07	73500	35700	0.025	13
609-2Z	609-Z	0.015	4.10	1.74	0.07	73500	35700	0.025	13
629	-	0.02	4.99	2.06	0.09	63000	39900	0.025	12
629-2RSH	629-RSH	0.02	4.99	2.06	0.09	-	19950	0.025	12
629-2RSL	629-RSL	0.02	4.99	2.06	0.09	63000	31500	0.025	12
629-2Z	629-Z	0.021	4.99	2.06	0.09	63000	31500	0.025	12
61800-2RS1	-	0.0055	1.81	0.87	0.04	-	23100	0.015	15
61800-2Z	-	0.0055	1.81	0.87	0.04	84000	39900	0.015	15
61800	-	0.0053	1.81	0.87	0.04	84000	50400	0.015	15
61900-2RS1	-	0.01	2.84	1.33	0.06	-	21000	0.02	14
61900-2Z	-	0.01	2.84	1.33	0.06	73500	37800	0.02	14
61900	-	0.01	2.84	1.33	0.06	73500	47250	0.02	14
6000	-	0.019	4.99	2.06	0.09	70350	42000	0.025	12
6000-2RSH	6000-RSH	0.019	4.99	2.06	0.09	-	19950	0.025	12
6000-2RSL	6000-RSL	0.019	4.99	2.06	0.09	70350	35700	0.025	12
6000-2Z	6000-Z	0.02	4.99	2.06	0.09	70350	35700	0.025	12
63000-2RS1	-	0.025	4.85	2.06	0.09	-	19950	0.025	12
16100-2Z	-	0.026	5.32	2.48	0.11	63000	31500	0.025	13
16100	-	0.024	5.32	2.48	0.11	63000	39900	0.025	13
6200	-	0.031	5.67	2.48	0.11	58800	37800	0.025	13
6200-2RSH	6200-RSH	0.032	5.67	2.48	0.11	-	17850	0.025	13
6200-2RSL	6200-RSL	0.032	5.67	2.48	0.11	58800	29400	0.025	13
6200-2Z	6200-Z	0.034	5.67	2.48	0.11	58800	29400	0.025	13
62200-2RS1	-	0.04	5.32	2.48	0.11	-	17850	0.025	13
6300	-	0.053	8.95	3.57	0.15	52500	33600	0.03	11
6300-2RSH	6300-RSH	0.054	8.95	3.57	0.15	-	15750	0.03	11
6300-2RSL	6300-RSL	0.053	8.95	3.57	0.15	52500	27300	0.03	11
6300-2Z	6300-Z	0.055	8.95	3.57	0.15	52500	27300	0.03	11
62300-2RS1	-	0.06	8.46	3.57	0.15	-	15750	0.03	11
61801-2RS1	-	0.0063	1.83	0.96	0.04	-	21000	0.015	13
61801-2Z	-	0.0063	1.83	0.96	0.04	73500	37800	0.015	13

Deep Groove Ball Bearings

Single row deep groove ball bearings

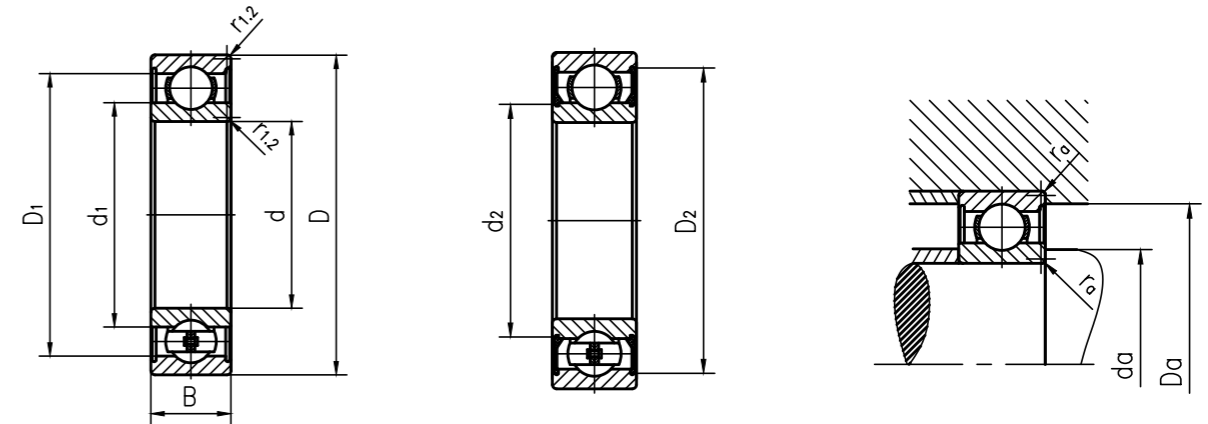


Type Bearing both sides of open or closed seal	One side closed seal	Main dimensions			Dimensions					Shoulder and chamfer dimensions			
		d	D	B	d_1	d_2	D_1	D_2	$r_{1.2}$ Min.	d_a Min.	d_a Max.	D_a Max.	r_a Max.
		mm			mm					mm			
-	-	12	21	5	14.8	-	18.3	-	0.3	14	-	19	0.3
61801	-	12	24	6	-	15.3	-	21.4	0.3	14	15.2	22	0.3
61901-2RS1	-	12	24	6	16	-	-	21.4	0.3	14	15.8	22	0.3
61901-2Z	-	12	24	6	16	-	20.3	-	0.3	14	-	22	0.3
61901	-	12	28	8	17	-	-	24.8	0.3	14	-	26	0.3
6001	-	12	28	8	-	14.7	-	24.8	0.3	14	15	26	0.3
6001-2RSH	6001-RSH	12	28	8	-	14.7	-	24.8	0.3	14	15	26	0.3
6001-2RSL	6001-RSL	12	28	8	17	-	-	24.8	0.3	14	16.9	26	0.3
6001-2Z	6001-Z	12	28	8	17	-	-	24.8	0.3	14	16.9	26	0.3
63001-2RS1	-	12	28	12	17	-	-	24.8	0.3	14	16.9	26	0.3
16101-2RS1	-	12	30	8	17	-	-	24.8	0.3	14.4	16.6	27.6	0.3
16101-2Z	-	12	30	8	17	-	-	24.8	0.3	14.4	16.6	27.6	0.3
16101	-	12	30	8	17	-	-	24.8	0.3	14.4	-	27.6	0.3
6201	-	12	32	10	18.4	-	-	27.4	0.6	16.2	-	27.8	0.6
6201-2RSH	6201-RSH	12	32	10	-	16.2	-	27.4	0.6	16.2	16.5	27.8	0.6
6201-2RSL	6201-RSL	12	32	10	-	16.2	-	27.4	0.6	16.2	16.5	27.8	0.6
6201-2Z	6201-Z	12	32	10	18.4	-	-	27.4	0.6	16.2	18.4	27.8	0.6
62201-2RS1	-	12	32	14	18.5	-	-	27.4	0.6	16.2	18.4	27.8	0.6
6301	-	12	37	12	19.5	-	-	31.5	1	17.6	-	31.4	1
6301-2RSH	6301-RSH	12	37	12	-	17.5	-	31.5	1	17.6	17.8	31.4	1
6301-2RSL	6301-RSL	12	37	12	-	17.5	-	31.5	1	17.6	17.6	31.4	1
6301-2Z	6301-Z	12	37	12	19.5	-	-	31.5	1	17.6	19.4	31.4	1
62301-2RS1	-	12	37	17	19.5	-	-	31.5	1	17.6	19.4	31.4	1
61802-2RS1	-	15	24	5	17.8	-	-	22.2	0.3	17	17.8	22	0.3
61802-2Z	-	15	24	5	17.8	-	-	22.2	0.3	17	17.8	22	0.3
61802	-	15	24	5	17.8	-	21.3	-	0.3	17	-	22	0.3
61902-2RS1	-	15	28	7	18.8	-	-	25.3	0.3	17	18.3	26	0.3
61902-2RZ	-	15	28	7	18.8	-	-	25.3	0.3	17	18.3	26	0.3
61902-2Z	-	15	28	7	18.8	-	-	25.3	0.3	17	18.3	26	0.3
61902	-	15	28	7	18.8	-	-	25.3	0.3	17	-	26	0.3
16002	-	15	32	8	20.5	-	-	28.2	0.3	17	-	30	0.3
16002-2Z	16002-Z	15	32	8	20.5	-	-	28.2	0.3	17	20.1	30	0.3
6002	-	15	32	9	20.5	-	-	28.2	0.3	17	-	30	0.3
6002-2RSH	6002-RSH	15	32	9	-	18.3	-	28.2	0.3	17	18.5	30	0.3
6002-2RSL	6002-RSL	15	32	9	-	18.3	-	28.2	0.3	17	18.5	30	0.3

Type Bearing both sides of open or closed seal	One side closed seal	Weight	Basic load rating		Fatigue load limit	Rated speed reference speed	Maximum speed	Calculate the coefficient	
			Dynamic	Static				K_r	f_0
		kg	kN		P_u	r/min			
			C	C_0					
-	-								
61801	-	0.0063	1.83	0.96	0.04	73500	45150	0.015	13
61901-2RS1	-	0.011	3.06	1.53	0.07	-	19950	0.02	15
61901-2Z	-	0.011	3.06	1.53	0.07	70350	33600	0.02	15
61901	-	0.011	3.06	1.53	0.07	70350	42000	0.02	15
6001	-	0.021	5.67	2.48	0.11	63000	39900	0.025	13
6001-2RSH	6001-RSH	0.022	5.67	2.48	0.11	-	17850	0.025	13
6001-2RSL	6001-RSL	0.021	5.67	2.48	0.11	63000	31500	0.025	13
6001-2Z	6001-Z	0.022	5.67	2.48	0.11	63000	31500	0.025	13
63001-2RS1	-	0.029	5.32	2.48	0.11	-	17850	0.025	13
16101-2RS1	-	0.028	5.32	2.48	0.11	-	17850	0.025	13
16101-2Z	-	0.028	5.32	2.48	0.11	58800	29400	0.025	13
16101	-	0.026	5.32	2.48	0.11	63000	39900	0.025	13
6201	-	0.037	7.64	3.26	0.14	52500	33600	0.025	12
6201-2RSH	6201-RSH	0.038	7.64	3.26	0.14	-	15750	0.025	12
6201-2RSL	6201-RSL	0.038	7.64	3.26	0.14	52500	27300	0.025	12
6201-2Z	6201-Z	0.039	7.64	3.26	0.14	52500	27300	0.025	12
62201-2RS1	-	0.045	7.23	3.26	0.14	-	15750	0.025	12
6301	-	0.06	10.61	4.36	0.18	47250	29400	0.03	11
6301-2RSH	6301-RSH	0.062	10.61	4.36	0.18	-	14700	0.03	11
6301-2RSL	6301-RSL	0.06	10.61	4.36	0.18	47250	23100	0.03	11
6301-2Z	6301-Z	0.063	10.61	4.36	0.18	47250	23100	0.03	11
62301-2RS1	-	0.07	10.24	4.36	0.18	-	14700	0.03	11
61802-2RS1	-	0.0074	2.00	1.16	0.05	-	17850	0.015	14
61802-2Z	-	0.0074	2.00	1.16	0.05	63000	31500	0.015	14
61802	-	0.0065	2.00	1.16	0.05	63000	39900	0.015	14
61902-2RS1	-	0.016	4.58	2.35	0.1	-	16800	0.02	14
61902-2RZ	-	0.016	4.58	2.35	0.1	58800	29400	0.02	14
61902-2Z	-	0.016	4.58	2.35	0.1	58800	29400	0.02	14
61902	-	0.016	4.58	2.35	0.1	58800	35700	0.02	14
16002	-	0.027	6.14	2.99	0.13	52500	33600	0.02	14
16002-2Z	16002-Z	0.025	6.14	2.99	0.13	52500	27300	0.02	14
6002	-	0.03	6.14	2.99	0.13	52500	33600	0.025	14
6002-2RSH	6002-RSH	0.03	6.14	2.99	0.13	-	14700	0.025	14
6002-2RSL	6002-RSL	0.03	6.14	2.99	0.13	52500	27300	0.025	14

Deep Groove Ball Bearings

Single row deep groove ball bearings

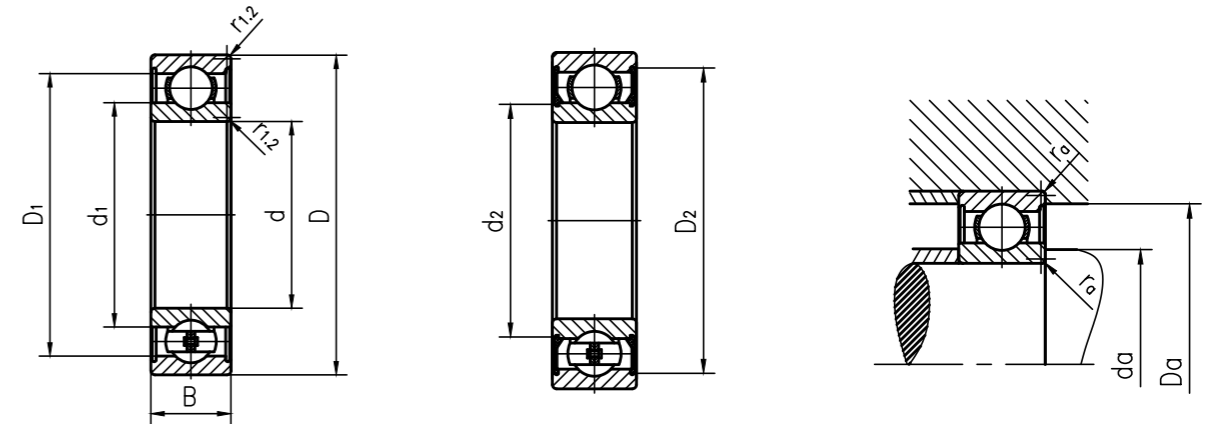


Type Bearing both sides of open or closed seal	One side closed seal	Main dimensions			Dimensions					Shoulder and chamfer dimensions			
		d	D	B	d_1 ≈	d_2 ≈	D_1 ≈	D_2 ≈	$r_{1,2}$ Min.	d_a Min.	d_a Max.	D_a Max.	r_a Max.
-	-	mm			mm					mm			
6002-2Z	6002-Z	15	32	9	20.5	-	-	28.2	0.3	17	20.4	30	0.3
63002-2RS1	-	15	32	13	20.5	-	-	28.2	0.3	17	20.4	30	0.3
6202	-	15	35	11	21.7	-	-	30.5	0.6	19.2	-	30.8	0.6
6202-2RSH	6202-RSH	15	35	11	-	18.6	-	30.5	0.6	19.2	19.4	31.3	0.6
6202-2RSL	6202-RSL	15	35	11	-	18.6	-	30.5	0.6	19.2	19.4	30.8	0.6
6202-2Z	6202-Z	15	35	11	21.7	-	-	30.5	0.6	19.2	21.6	30.8	0.6
62202-2RS1	-	15	35	14	21.7	-	-	30.4	0.6	19.2	21.6	30.8	0.6
6302	-	15	42	13	23.7	-	-	36.3	1	20.6	-	36.4	1
6302-2RSH	6302-RSH	15	42	13	-	20.6	-	36.3	1	20.6	21	36.4	1
6302-2RSL	6302-RSL	15	42	13	-	20.6	-	36.3	1	20.6	21	36.4	1
6302-2Z	6302-Z	15	42	13	23.7	-	-	36.3	1	20.6	23.6	36.4	1
62302-2RS1	-	15	42	17	23.7	-	-	36.3	1	20.6	23.6	36.4	1
61808-2RS1	-	15	52	7	-	42.1	-	49.3	0.3	42	42	50	0.3
61803-2RS1	-	17	26	5	19.8	-	-	24.2	0.3	18	18.6	24	0.3
61803-2RZ	-	17	26	5	19.8	-	-	24.2	0.3	19	19.6	24	0.3
61803-2Z	-	17	26	5	19.8	-	-	24.2	0.3	19	19.6	24	0.3
61803	-	17	26	5	19.8	-	23.3	-	0.3	19	-	24	0.3
61903-2RS1	-	17	30	7	-	19.4	-	27.7	0.3	19	19.3	28	0.3
61903-2Z	-	17	30	7	20.4	-	-	27.7	0.3	19	20.3	28	0.3
61903-2RZ	-	17	30	7	20.4	-	-	27.7	0.3	19	20.3	28	0.3
61903	-	17	30	7	20.4	-	-	27.7	0.3	19	-	28	0.3
16003-2Z	-	17	35	8	23	-	-	31.2	0.3	19	22.6	33	0.3
16003	-	17	35	8	23	-	-	31.2	0.3	19	-	33	0.3
6003	-	17	35	10	23	-	-	31.2	0.3	19	-	33	0.3
6003-2RSH	6003-RSH	17	35	10	-	20.4	-	31.2	0.3	19	20.5	33	0.3
6003-2RSL	6003-RSL	17	35	10	-	20.4	-	31.2	0.3	19	20.5	33	0.3
6003-2Z	6003-Z	17	35	10	23	-	-	31.2	0.3	19	22.9	33	0.3
63003-2RS1	-	17	35	14	23	-	-	31.2	0.3	19	22.9	33	0.3
6203	-	17	40	12	24.5	-	-	35	0.6	21.2	-	35.8	0.6
6203-2RSH	6203-RSH	17	40	12	-	21.7	-	35	0.6	21.2	22	35.8	0.6
6203-2RSL	6203-RSL	17	40	12	-	21.7	-	35	0.6	21.2	22	35.8	0.6
6203-2Z	6203-Z	17	40	12	24.5	-	-	35	0.6	21.2	24.4	35.8	0.6
6203	ETN9	17	40	12	24.5	-	32.7	-	0.6	21.2	-	35.8	0.6
62203-2RS1	-	17	40	16	-	21.5	-	35	0.6	21.2	24.4	35.8	0.6

Type Bearing both sides of open or closed seal	One side closed seal	Weight	Basic load rating		Fatigue load limit	Rated speed reference speed	Maximum speed	Calculate the coefficient	
			Dynamic	Static				K_r	f_0
-	-	kg	kN		P_u	r/min	-	-	-
6002-2Z	6002-Z	0.032	6.14	2.99	0.13	52500	27300	0.025	14
63002-2RS1	-	0.039	5.87	2.99	0.13	-	14700	0.025	14
6202	-	0.045	8.46	3.94	0.17	45150	29400	0.025	13
6202-2RSH	6202-RSH	0.046	8.46	3.94	0.17	-	13650	0.025	13
6202-2RSL	6202-RSL	0.046	8.46	3.94	0.17	45150	23100	0.025	13
6202-2Z	6202-Z	0.048	8.46	3.94	0.17	45150	23100	0.025	13
62202-2RS1	-	0.054	8.19	3.94	0.17	-	13650	0.025	13
6302	-	0.082	12.50	5.67	0.24	39900	25200	0.03	12
6302-2RSH	6302-RSH	0.085	12.50	5.67	0.24	-	12600	0.03	12
6302-2RSL	6302-RSL	0.085	12.50	5.67	0.24	39900	19950	0.03	12
6302-2Z	6302-Z	0.086	12.50	5.67	0.24	39900	19950	0.03	12
62302-2RS1	-	0.11	11.97	5.67	0.24	-	12600	0.03	12
61808-2RS1	-	0.034	4.71	3.94	0.17	-	7875	0.015	15
61803-2RS1	-	0.0082	2.13	1.33	0.06	-	16800	0.015	14
61803-2RZ	-	0.0082	2.13	1.33	0.06	58800	29400	0.015	14
61803-2Z	-	0.0082	2.13	1.33	0.06	58800	29400	0.015	14
61803	-	0.0075	2.13	1.33	0.06	58800	35700	0.015	14
61903-2RS1	-	0.017	4.85	2.68	0.11	-	14700	0.02	15
61903-2Z	-	0.017	4.85	2.68	0.11	52500	27300	0.02	15
61903-2RZ	-	0.018	4.85	2.68	0.11	52500	27300	0.02	15
61903	-	0.016	4.85	2.68	0.11	52500	33600	0.02	15
16003-2Z	-	0.032	6.69	3.41	0.14	47250	23100	0.02	14
16003	-	0.031	6.69	3.41	0.14	47250	29400	0.02	14
6003	-	0.038	6.69	3.41	0.14	47250	29400	0.025	14
6003-2RSH	6003-RSH	0.039	6.69	3.41	0.14	-	13650	0.025	14
6003-2RSL	6003-RSL	0.039	6.69	3.41	0.14	47250	23100	0.025	14
6003-2Z	6003-Z	0.041	6.69	3.41	0.14	47250	23100	0.025	14
63003-2RS1	-	0.052	6.35	3.41	0.14	-	13650	0.025	14
6203	-	0.065	10.45	4.99	0.21	39900	25200	0.025	13
6203-2RSH	6203-RSH	0.067	10.45	4.99	0.21	-	12600	0.025	13
6203-2RSL	6203-RSL	0.067	10.45	4.99	0.21	39900	19950	0.025	13
6203-2Z	6203-Z	0.068	10.45	4.99	0.21	39900	19950	0.025	13
6203	ETN9	0.064	11.97	5.67	0.24	39900	25200	0.03	12
62203-2RS1	-	0.089	10.04	4.99	0.21	-	12600	0.025	13

Deep Groove Ball Bearings

Single row deep groove ball bearings



Type Bearing both sides of open or closed seal	One side closed seal	Main dimensions			Dimensions					Shoulder and chamfer dimensions			
		d	D	B	d_1 ≈	d_2 ≈	D_1 ≈	D_2 ≈	$r_{1,2}$ Min.	d_a Min.	d_a Max.	D_a Max.	r_a Max.
		mm			mm					mm			
-	-												
6303	-	17	47	14	26.5	-	-	39.6	1	22.6	-	41.4	1
6303-2RSH	6303-RSH	17	47	14	-	23.4	-	39.6	1	22.6	23.5	41.4	1
6303-2RSL	6303-RSL	17	47	14	-	23.4	-	39.6	1	22.6	23.5	41.4	1
6303-2Z	6303-Z	17	47	14	26.5	-	-	39.6	1	22.6	26.4	41.4	1
62303-2RS1	-	17	47	19	26.5	-	-	39.6	1	22.6	26.4	41.4	1
6403	-	17	62	17	32.4	-	-	48.7	1.1	23.5	-	55	1
61804-2RS1	-	20	32	7	23.8	-	-	29.4	0.6	22	23.6	30	0.3
61804-2RZ	-	20	32	7	23.8	-	-	29.4	0.6	22	23.6	30	0.3
61804	-	20	32	7	23.8	-	28.3	-	0.3	22	-	30	0.3
61904-2RS1	-	20	37	9	25.5	-	-	32.7	0.3	22	23	35	0.3
61904-2RZ	-	20	37	9	25.5	-	-	32.7	0.3	22	25.5	35	0.3
61904	-	20	37	9	25.5	-	-	32.7	0.3	22	-	35	0.3
16004	-	20	42	8	27.2	-	-	37.2	0.3	22	-	40	0.3
6004	-	20	42	12	27.2	-	-	37.2	0.6	23.2	-	38.8	0.6
6004-2RSH	6004-RSH	20	42	12	-	24.6	-	37.2	0.6	23.2	24.5	38.8	0.6
6004-2RSL	6004-RSL	20	42	12	-	24.6	-	37.2	0.6	23.2	24.5	38.8	0.6
6004-2Z	6004-Z	20	42	12	27.2	-	-	37.2	0.6	23.2	27.1	38.8	0.6
63004-2RS1	-	20	42	16	27.2	-	-	37.2	0.6	23.2	27.1	38.8	0.6
6204	-	20	47	14	28.8	-	-	40.6	1	25.6	-	41.4	1
6204-2RSH	6204-RSH	20	47	14	-	26	-	40.6	1	25.6	26	41.4	1
6204-2RSL	6204-RSL	20	47	14	-	26	-	40.6	1	25.6	26	41.4	1
6204-2Z	6204-Z	20	47	14	28.8	-	-	40.6	1	25.6	28.7	41.4	1
6204 ETN9	-	20	47	14	28.2	-	39.6	-	1	25.6	-	41.4	1
62204-2RS1	-	20	47	18	28.8	-	-	40.6	1	25.6	28.7	41.4	1
6304-2RSL	6304-RSL	20	52	15	-	26.9	-	44.8	1.1	27	27	45	1
6304	-	20	52	15	30.3	-	-	44.8	1.1	27	-	45	1
6304-2RSH	6304-RSH	20	52	15	-	26.9	-	44.8	1.1	27	27.3	45	1
6304-2Z	6304-Z	20	52	15	30.3	-	-	44.8	1.1	27	30.3	45	1
6304 ETN9	-	20	52	15	30.3	-	42.6	-	1.1	27	-	45	1
62304-2RS1	-	20	52	21	30.3	-	-	44.8	1.1	27	30.3	45	1
6404	-	20	72	19	37.1	-	54.8	-	1.1	29	-	63	1
62/22-2RS1	-	22	50	14	32.2	-	-	44	1	27.6	32	44.4	1
62/22	-	22	50	14	32.2	-	-	44	1	27.6	-	44.4	1
63/22	-	22	56	16	32.9	-	45.3	-	1.1	29	-	47	1

Type Bearing both sides of open or closed seal	One side closed seal	Weight	Basic load rating		Fatigue load limit	Rated speed reference speed	Maximum speed	Calculate the coefficient	
			Dynamic	Static				K_r	f_o
		kg	kN		P_u	r/min			
			C	C_0					
-	-								
6303	-	0.11	15.02	6.88	0.29	35700	23100	0.03	12
6303-2RSH	6303-RSH	0.12	15.02	6.88	0.29	-	11550	0.03	12
6303-2RSL	6303-RSL	0.12	15.02	6.88	0.29	35700	17850	0.03	12
6303-2Z	6303-Z	0.12	15.02	6.88	0.29	35700	17850	0.03	12
62303-2RS1	-	0.16	14.18	6.88	0.29	-	11550	0.03	12
6403	-	0.27	24.05	11.34	0.48	29400	18900	0.035	11
61804-2RS1	-	0.018	4.23	2.44	0.11	-	13650	0.015	15
61804-2RZ	-	0.018	4.23	2.44	0.11	47250	23100	0.015	15
61804	-	0.018	4.23	2.44	0.11	47250	29400	0.015	15
61904-2RS1	-	0.038	6.69	3.83	0.16	-	12600	0.02	15
61904-2RZ	-	0.038	6.69	3.83	0.16	45150	21000	0.02	15
61904	-	0.037	6.69	3.83	0.16	45150	27300	0.02	15
16004	-	0.051	7.64	4.25	0.18	39900	25200	0.02	15
6004	-	0.067	10.45	5.25	0.22	39900	25200	0.025	14
6004-2RSH	6004-RSH	0.067	10.45	5.25	0.22	-	11550	0.025	14
6004-2RSL	6004-RSL	0.069	10.45	5.25	0.22	39900	19950	0.025	14
6004-2Z	6004-Z	0.071	10.45	5.25	0.22	39900	19950	0.025	14
63004-2RS1	-	0.086	9.83	5.25	0.22	-	11550	0.025	14
6204	-	0.11	14.18	6.88	0.29	33600	21000	0.025	13
6204-2RSH	6204-RSH	0.11	14.18	6.88	0.29	-	10500	0.025	13
6204-2RSL	6204-RSL	0.11	14.18	6.88	0.29	33600	17850	0.025	13
6204-2Z	6204-Z	0.11	14.18	6.88	0.29	33600	17850	0.025	13
6204 ETN9	-	0.098	16.38	8.03	0.34	33600	21000	0.025	12
62204-2RS1	-	0.13	13.34	6.88	0.29	-	10500	0.025	13
6304-2RSL	6304-RSL	0.15	16.70	8.19	0.35	31500	15750	0.03	12
6304	-	0.14	17.64	8.19	0.35	31500	19950	0.03	12
6304-2RSH	6304-RSH	0.15	17.64	8.19	0.35	-	9975	0.03	12
6304-2Z	6304-Z	0.15	17.64	8.19	0.35	31500	15750	0.03	12
6304 ETN9	-	0.14	19.11	9.45	0.4	31500	19950	0.03	12
62304-2RS1	-	0.21	16.70	8.19	0.35	-	9975	0.03	12
6404	-	0.41	32.24	15.75	0.67	25200	15750	0.035	11
62/22-2RS1	-	0.12	14.70	8.03	0.34	-	9450	0.025	14
62/22	-	0.12	14.70	8.03	0.34	31500	19950	0.025	14
63/22	-	0.18	19.53	9.77	0.41	29400	18900	0.03	12