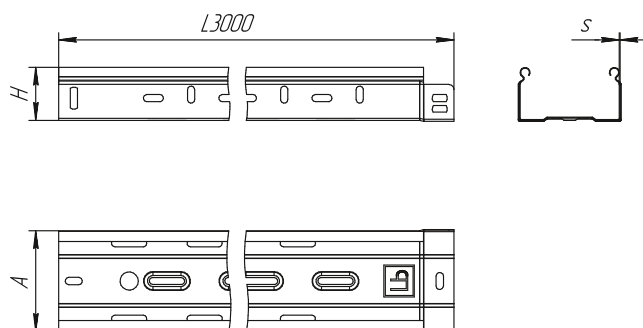
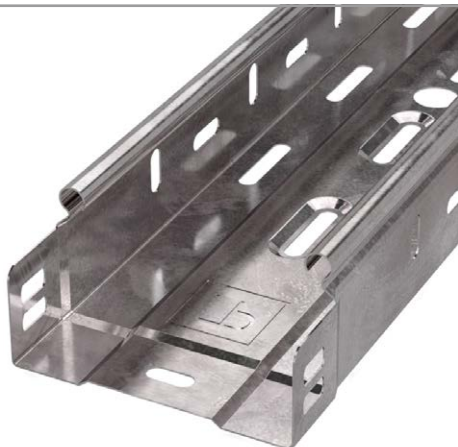


Лоток перфорированный



A, ширина лотка, мм	H, высота стенки, мм	S, толщина материала, мм	Количество в упаковке, м	Артикул, SZ	Артикул, HDZ	Артикул, INOX (AISI 304)	Артикул, INOX (AISI 316)	Артикул, INOX (AISI 409)
50	50	0,7	36	PR16.0001	PR16.1244	PR16.2346	PR16.2387	PR16.2428
100		0,7	24	PR16.0002	PR16.1227	PR16.2283	PR16.2370	PR16.2411
100		1,0	24	PR16.2284	PR16.2458	—	—	—
150		0,7	12	PR16.0005	PR16.1230	PR16.2332	PR16.2373	PR16.2414
150		1,0	12	PR16.2300	PR16.2461	—	—	—
200		0,8	12	PR16.0008	PR16.1233	PR16.2335	PR16.2376	PR16.2417
200		1,0	12	PR16.2303	PR16.2464	—	—	—
300		0,8	12	PR16.0011	PR16.1236	PR16.2338	PR16.2379	PR16.2420
300		1,0	12	PR16.2306	PR16.2467	—	—	—
400		1,0	6	PR16.0014	PR16.1239	PR16.2341	PR16.2382	PR16.2423
500		1,0	6	PR16.0017	PR16.1242	PR16.2344	PR16.2385	PR16.2426
600		1,0	6	PR16.0020	PR16.1246	—	—	—
100	80	0,7	6	PR16.0003	PR16.1228	PR16.2330	PR16.2371	PR16.2412
100		1,0	6	PR16.2298	PR16.2459	—	—	—
150		0,7	6	PR16.0006	PR16.1231	PR16.2333	PR16.2374	PR16.2415
150		1,0	6	PR16.2301	PR16.2462	—	—	—
200		0,8	6	PR16.0009	PR16.1234	PR16.2336	PR16.2377	PR16.2418
200		1,0	6	PR16.2304	PR16.2465	—	—	—
300		0,8	6	PR16.0012	PR16.1237	PR16.2339	PR16.2380	PR16.2421
300		1,0	6	PR16.2307	PR16.2468	—	—	—
400		1,0	6	PR16.0015	PR16.1240	PR16.2342	PR16.2383	PR16.2424
500		1,0	6	PR16.0018	PR16.1243	PR16.2345	PR16.2386	PR16.2427
600		1,0	6	PR16.0021	PR16.1247	—	—	—
100		100	0,7	6	PR16.0004	PR16.1226	PR16.2329	PR16.2369
100	1,0		6	PR16.2297	PR16.2457	—	—	—
150	0,7		6	PR16.0007	PR16.1229	PR16.2331	PR16.2372	PR16.2413
150	1,0		6	PR16.2299	PR16.2460	—	—	—
200	0,8		6	PR16.0010	PR16.1232	PR16.2334	PR16.2375	PR16.2416
200	1,0		6	PR16.2302	PR16.2463	—	—	—
300	0,8		6	PR16.0013	PR16.1235	PR16.2337	PR16.2378	PR16.2419
300	1,0		6	PR16.2305	PR16.2466	—	—	—
400	1,0		6	PR16.0016	PR16.1238	PR16.2340	PR16.2381	PR16.2422
500	1,0		6	PR16.0019	PR16.1241	PR16.2343	PR16.2384	PR16.2425
600	1,0		6	PR16.0022	PR16.1245	—	—	—