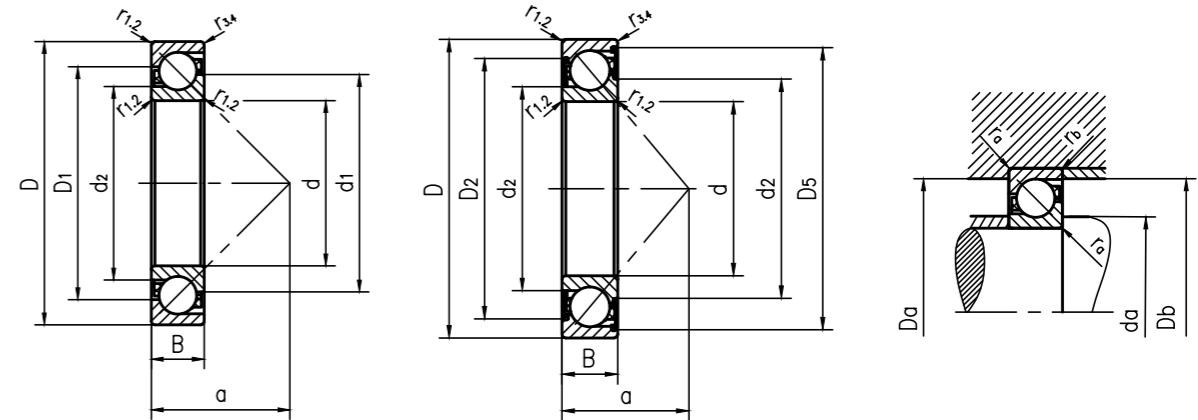


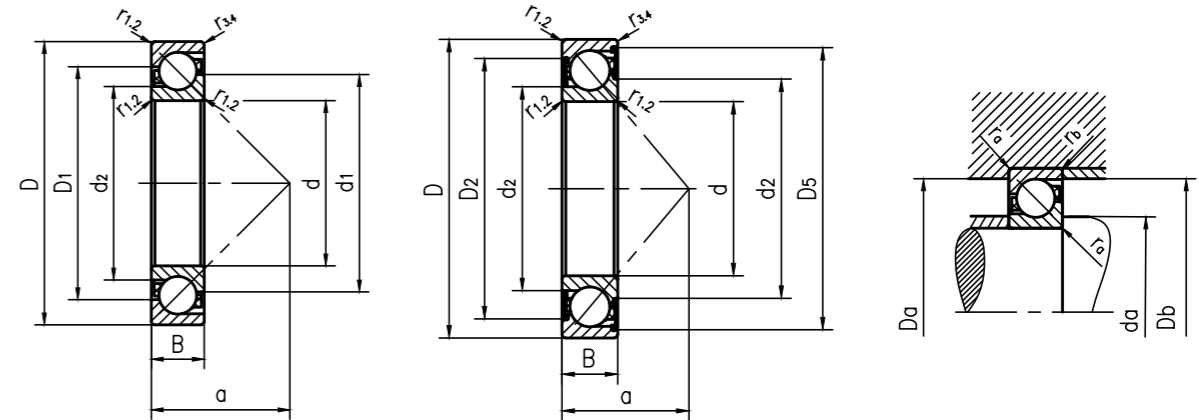
Single row angular contact ball bearing



Type		Main dimensions			Dimensions						
Universal paired bearings	Basic design/sealed bearings	d	D	B	d ₁ ≈	d ₂ ≈	D ₁ , D ₂ ≈	D ₅ ≈	r _{1.2} Min.	r _{3.4} Min.	α
-		mm			mm						
7312BECBM	-	60	130	31	87.2	72.6	105	-	2.1	1.1	55
7312ACCBM	-	60	130	31	87.1	72.6	105	-	2.1	1.1	37
-	7213BEP	65	120	23	86.3	75.4	100	-	1.5	1	50
7213BECBP	-	65	120	23	86.3	75.4	99.5	-	1.5	1	50
7213BECBY	-	65	120	23	86.3	75.4	99.5	-	1.5	1	50
7213BEGAPH	-	65	120	23	86.3	75.4	100	-	1.5	1	50
7213BECBM	-	65	120	23	86.3	75.4	99.5	-	1.5	1	50
7213ACCBM	-	65	120	23	86.5	75.5	99.5	-	1.5	1	33
-	7313BEP	65	140	33	94.1	78.4	113	-	2.1	1.1	60
7313BECBP	-	65	140	33	94.1	78.4	113	-	2.1	1.1	60
7313BECBPH	-	65	140	33	94.1	78.4	113	-	2.1	1.1	60
7313BECBY	-	65	140	33	94.1	78.4	113	-	2.1	1.1	60
7313BECBM	-	65	140	33	94.1	78.4	113	-	2.1	1.1	60
7313ACCBM	-	65	140	33	94	78.4	113	-	2.1	1.1	40
-	7214BEP	70	125	24	91.5	80.2	105	-	1.5	1	53
7214BECBP	-	70	125	24	91.5	80.2	105	-	1.5	1	53
7214BECBPH	-	70	125	24	91.5	80.2	105	-	1.5	1	53
7214BECBM	-	70	125	24	91.5	80.2	105	-	1.5	1	53
7214BECBY	-	70	125	24	91.5	80.2	105	-	1.5	1	53
7214ACCBM	-	70	125	24	91.4	80.2	105	-	1.5	1	34
-	7314BEP	70	150	35	101	84.4	122	-	2.1	1.1	64
7314BECBP	-	70	150	35	101	84.4	122	-	2.1	1.1	64
7314BECBPH	-	70	150	35	101	84.4	122	-	2.1	1.1	64

Type		Shoulder and chamfer dimensions						Weight	Basic load rating		Fatigue load limit	Rated speed reference speed	Maximum speed	Calculate the coefficient	
Universal paired bearings	Basic design/sealed bearings	d _a Min.	d _a Max.	D _a Max.	D _b Max.	r _a Max.	r _b Max.		Dynamic	Static				P _u	A
-		mm							kg	kN		r/min			
7312BECBM	-	72	-	118	123	2	1	1.75	109.2	80.33	3.36	6615	8925	0.0846	0.1
7312ACCBM	-	72	-	118	123	2	1	1.75	121.8	89.25	3.78	7350	10500	0.0345	0.1
-	7213BEP	74	-	111	114	1.5	1	1	69.62	56.7	2.39	7035	6615	0.0478	0.095
7213BECBP	-	74	-	111	114	1.5	1	1	72.98	59.85	2.57	7035	7035	0.0478	0.095
7213BECBY	-	74	-	111	114	1.5	1	1	72.98	59.85	2.57	7035	7035	0.0478	0.095
7213BEGAPH	-	74	-	111	114	1.5	1	1	72.98	59.85	2.57	7035	7035	0.0478	0.095
7213BECBM	-	74	-	111	114	1.5	1	1	72.98	59.85	2.57	7035	8925	0.0478	0.095
7213ACCBM	-	74	-	111	114	1.5	1	1	85.58	68.78	2.94	7350	10500	0.0199	0.095
-	7313BEP	77	-	128	133	2	1	2.15	113.4	84	3.52	6300	5880	0.112	0.1
7313BECBP	-	77	-	128	133	2	1	2.15	121.8	90.83	3.83	6300	6615	0.112	0.1
7313BECBPH	-	77	-	128	133	2	1	2.15	121.8	90.83	3.83	6300	6615	0.112	0.1
7313BECBY	-	77	-	128	133	2	1	2.15	121.8	90.83	3.83	6300	6615	0.112	0.1
7313BECBM	-	77	-	128	133	2	1	2.15	121.8	90.83	3.83	6300	8400	0.112	0.1
7313ACCBM	-	77	-	128	133	2	1	2.15	138.6	101.33	4.25	6615	9975	0.0456	0.1
-	7214BEP	79	-	116	119	1.5	1	1.1	70.98	58.8	2.48	6615	6300	0.0529	0.095
7214BECBP	-	79	-	116	119	1.5	1	1.1	75.6	63	2.68	6615	6615	0.0529	0.095
7214BECBPH	-	79	-	116	119	1.5	1	1.1	75.6	63	2.68	6615	6615	0.0529	0.095
7214BECBM	-	79	-	116	119	1.5	1	1.1	75.6	63	2.68	6615	8400	0.0529	0.095
7214BECBY	-	79	-	116	119	1.5	1	1.1	78.75	67.2	2.84	6615	6615	0.0564	0.095
7214ACCBM	-	79	-	116	119	1.5	1	1.1	87.15	71.4	3.05	7035	10500	0.022	0.095
-	7314BEP	82	-	138	143	2	1	2.65	124.95	94.5	3.83	5880	5565	0.145	0.1
7314BECBP	-	82	-	138	143	2	1	2.65	133.35	102.9	4.1	5880	5880	0.145	0.1
7314BECBPH	-	82	-	138	143	2	1	2.65	133.35	102.9	4.1	5880	5880	0.145	0.1

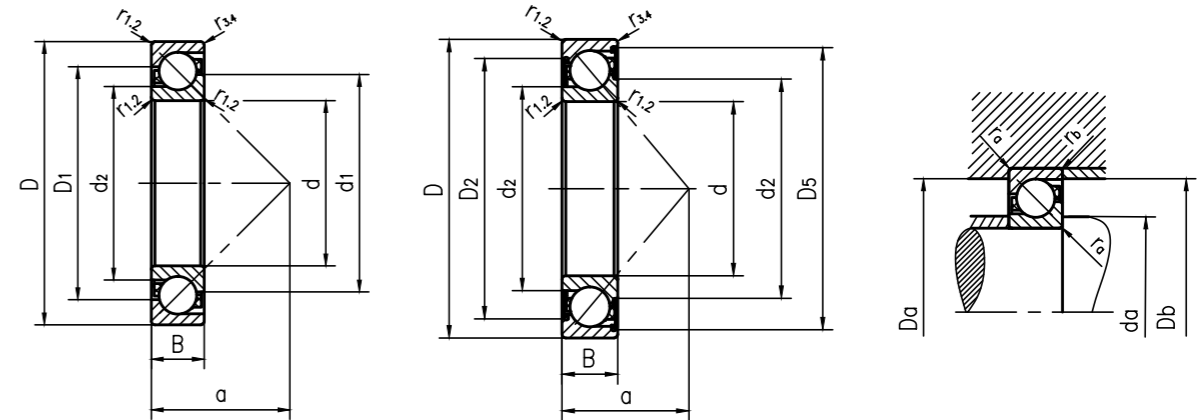
Single row angular contact ball bearing



Type		Main dimensions			Dimensions						
Universal paired bearings	Basic design/sealed bearings	d	D	B	d ₁ ≈	d ₂ ≈	D ₁ , D ₂ ≈	D ₅ ≈	r _{1,2} Min.	r _{3,4} Min.	α
-		mm			mm						
7314BECBY	-	70	150	35	101	84.4	122	-	2.1	1.1	64
7314BEGAPH	-	70	150	35	101	84.4	122	-	2.1	1.1	64
7314BECBM	-	70	150	35	101	84.4	122	-	2.1	1.1	64
7314ACCBM	-	70	150	35	100	84.4	121	-	2.1	1.1	43
-	7215BEP	75	130	25	96.3	85.2	111	-	1.5	1	56
7215BECBM	-	75	130	25	96.3	85.2	111	-	1.5	1	56
7215BECBP	-	75	130	25	96.3	85.2	111	-	1.5	1	56
7215BECBPH	-	75	130	25	96.3	85.2	111	-	1.5	1	56
7215BECBY	-	75	130	25	96.3	85.2	111	-	1.5	1	56
-	7315BEP	75	160	37	108	91.1	129	-	2.1	1.1	68
7315BECBP	-	75	160	37	108	91.1	129	-	2.1	1.1	68
7315BECBY	-	75	160	37	108	91.1	129	-	2.1	1.1	68
7315BEGAPH	-	75	160	37	108	91.1	129	-	2.1	1.1	68
7315BECBM	-	75	160	37	108	91.1	129	-	2.1	1.1	68
-	7216BEP	80	140	26	103	91.4	118	-	2	1	59
7216BECBP	-	80	140	26	103	91.4	118	-	2	1	59
7216BECBPH	-	80	140	26	103	91.4	118	-	2	1	59
7216BECBY	-	80	140	26	103	91.4	118	-	2	1	59
7216BEGAPH	-	80	140	26	103	91.4	118	-	2	1	59
7216BECBM	-	80	140	26	103	91.4	118	-	2	1	59
-	7316BEP	80	170	39	115	97	137	-	2.1	1.1	72
-	7316BEM	80	170	39	115	97	137	-	2.1	1.1	72
7316BECBP	-	80	170	39	115	97	137	-	2.1	1.1	72

Type		Shoulder and chamfer dimensions						Weight	Basic load rating		Fatigue load limit	Rated speed reference speed	Maximum speed	Calculate the coefficient		
Universal paired bearings	Basic design/sealed bearings	d _a Min.	d _a Max.	D _a Max.	D _b Max.	r _a Max.	r _b Max.		Dynamic	Static				P _u	A	K _r
-		mm							kg	kN						
7314BECBY	-	82	-	138	143	2	1	2.65	133.35	102.9	4.1	5880	5880	0.145	0.1	
7314BEGAPH	-	82	-	138	143	2	1	2.65	133.35	102.9	4.1	5880	5880	0.145	0.1	
7314BECBM	-	82	-	138	143	2	1	2.65	133.35	102.9	4.1	5880	7350	0.145	0.1	
7314ACCBM	-	82	-	138	143	2	1	2.65	150.15	115.5	4.62	6300	8925	0.0592	0.1	
-	7215BEP	84	-	121	124	1.5	1	1.2	73.71	63	2.63	6300	5880	0.0599	0.095	
7215BECBM	-	84	-	121	124	1.5	1	1.2	77.18	68.78	2.84	6300	6615	0.0599	0.095	
7215BECBP	-	84	-	121	124	1.5	1	1.2	77.18	68.78	2.84	6300	6615	0.0599	0.095	
7215BECBPH	-	84	-	121	124	1.5	1	1.2	77.18	68.78	2.84	6300	6615	0.0599	0.095	
7215BECBY	-	84	-	121	124	1.5	1	1.2	80.33	72.98	3.05	6300	6615	0.0636	0.095	
-	7315BEP	87	-	148	153	2	1	3.2	131.25	102.9	3.99	5565	5250	0.171	0.1	
7315BECBP	-	87	-	148	153	2	1	3.2	138.6	109.2	4.36	5565	5565	0.171	0.1	
7315BECBY	-	87	-	148	153	2	1	3.2	138.6	109.2	4.36	5565	5565	0.171	0.1	
7315BEGAPH	-	87	-	148	153	2	1	3.2	138.6	109.2	4.36	5565	5565	0.171	0.1	
7315BECBM	-	87	-	148	153	2	1	3.2	138.6	109.2	4.36	5565	7035	0.171	0.1	
-	7216BEP	91	-	130	134	2	1	1.45	84.63	72.98	2.94	5880	5565	0.0801	0.095	
7216BECBP	-	91	-	130	134	2	1	1.45	89.25	78.75	3.2	5880	5880	0.0801	0.095	
7216BECBPH	-	91	-	130	134	2	1	1.45	89.25	78.75	3.2	5880	5880	0.0801	0.095	
7216BECBY	-	91	-	130	134	2	1	1.45	89.25	78.75	3.2	5880	5880	0.0801	0.095	
7216BEGAPH	-	91	-	130	134	2	1	1.45	89.25	78.75	3.2	5880	5880	0.0801	0.095	
7216BECBM	-	91	-	130	134	2	1	1.45	89.25	78.75	3.2	5880	7350	0.0801	0.095	
-	7316BEP	92	-	158	163	2	1	3.8	141.75	115.5	4.36	5250	4725	0.216	0.1	
-	7316BEM	92	-	158	163	2	1	3.8	141.75	115.5	4.36	5250	5040	0.216	0.1	
7316BECBP	-	92	-	158	163	2	1	3.8	150.15	123.9	4.73	5250	5250	0.216	0.1	

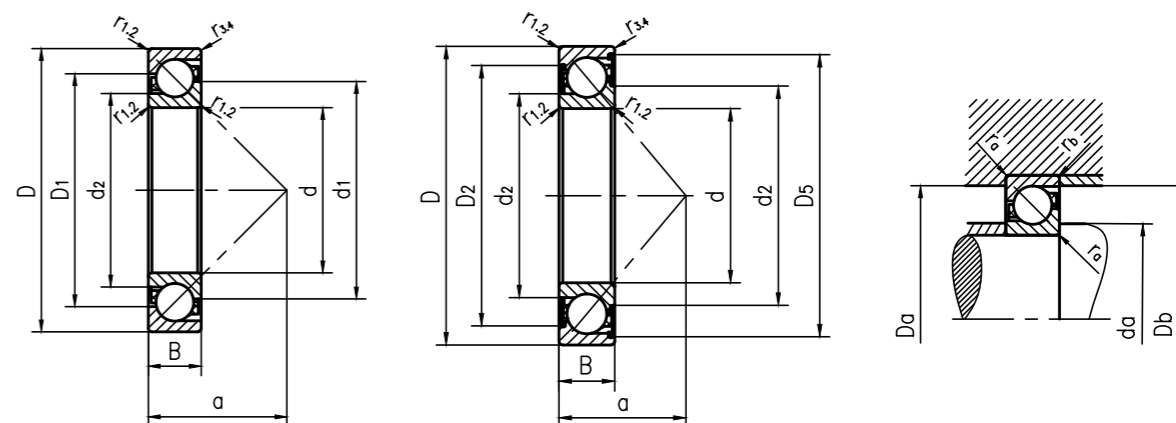
Single row angular contact ball bearing



Type		Main dimensions			Dimensions						
Universal paired bearings	Basic design/sealed bearings	d	D	B	d ₁	d ₂	D ₁ , D ₂	D ₅	r _{1.2} Min.	r _{3.4} Min.	α
-		mm			mm						
7316BECBPH	-	80	170	39	115	97	137	-	2.1	1.1	72
7316BECBY	-	80	170	39	115	97	137	-	2.1	1.1	72
7316BECBM	-	80	170	39	115	97	137	-	2.1	1.1	72
-	7217BEP	85	150	28	110	97	127	-	2	1	63
7217BECBP	-	85	150	28	110	97	127	-	2	1	63
7217BECBY	-	85	150	28	110	97	127	-	2	1	63
7217BECBM	-	85	150	28	110	97	127	-	2	1	63
-	7317BEP	85	180	41	122	103	145	-	3	1.1	76
-	7317BEM	85	180	41	122	103	145	-	3	1.1	76
7317BECBP	-	85	180	41	122	103	145	-	3	1.1	76
7317BECBY	-	85	180	41	122	103	145	-	3	1.1	76
7317BEGAPH	-	85	180	41	122	103	145	-	3	1.1	76
7317BECBM	-	85	180	41	122	103	145	-	3	1.1	76
-	7218BEP	90	160	30	117	103	135	-	2	1	67
7218BECBP	-	90	160	30	117	103	135	-	2	1	67
7218BECBY	-	90	160	30	117	103	135	-	2	1	67
7218BECBM	-	90	160	30	117	103	135	-	2	1	67
-	7318BEP	90	190	43	129	108	154	-	3	1.1	80
-	7318BEM	90	190	43	129	108	154	-	3	1.1	80
7318BECBP	-	90	190	43	129	108	154	-	3	1.1	80
7318BECBY	-	90	190	43	129	108	154	-	3	1.1	80
7318BEGAPH	-	90	190	43	129	108	154	-	3	1.1	80
7318BECBM	-	90	190	43	129	108	154	-	3	1.1	80
-	7219BEP	95	170	32	124	109	143	-	2.1	1.1	72
7219BECBP	-	95	170	32	124	109	143	-	2.1	1.1	72

Type		Shoulder and chamfer dimensions						Weight	Basic load rating		Fatigue load limit	Rated speed reference speed	Maximum speed	Calculate the coefficient		
Universal paired bearings	Basic design/sealed bearings	d _a Min.	d _a Max.	D _a Max.	D _b Max.	r _a Max.	r _b Max.		Dynamic	Static				P ₀	A	K _r
-		mm							kg	kN				r/min	-	
7316BECBPH	-	92	-	158	163	2	1	3.8	150.15	123.9	4.73	5250	5250	0.216	0.1	
7316BECBY	-	92	-	158	163	2	1	3.8	150.15	123.9	4.73	5250	5250	0.216	0.1	
7316BECBM	-	92	-	158	163	2	1	3.8	150.15	123.9	4.73	5250	6615	0.216	0.1	
-	7217BEP	96	-	139	144	2	1	1.85	100.38	87.15	3.41	5565	5250	0.114	0.095	
7217BECBP	-	96	-	139	144	2	1	1.85	107.1	94.5	3.73	5565	5565	0.114	0.095	
7217BECBY	-	96	-	139	144	2	1	1.85	107.1	94.5	3.73	5565	5565	0.114	0.095	
7217BECBM	-	96	-	139	144	2	1	1.85	107.1	94.5	3.73	5565	7035	0.114	0.095	
-	7317BEP	99	-	166	173	2.5	1	4.45	153.3	128.1	4.73	4725	4515	0.27	0.1	
-	7317BEM	99	-	166	173	2.5	1	4.45	153.3	128.1	4.73	4725	4725	0.27	0.1	
7317BECBP	-	99	-	166	173	2.5	1	4.45	163.8	138.6	5.15	4725	5040	0.27	0.1	
7317BECBY	-	99	-	166	173	2.5	1	4.45	163.8	138.6	5.15	4725	5040	0.27	0.1	
7317BEGAPH	-	99	-	166	173	2.5	1	4.45	163.8	138.6	5.15	4725	5040	0.27	0.1	
7317BECBM	-	99	-	166	173	2.5	1	4.45	163.8	138.6	5.15	4725	6300	0.27	0.1	
-	7218BEP	101	-	149	154	2	1	2.3	113.4	101.33	3.83	5250	4725	0.149	0.095	
7218BECBP	-	101	-	149	154	2	1	2.3	121.8	109.2	4.2	5250	5250	0.149	0.095	
7218BECBY	-	101	-	149	154	2	1	2.3	121.8	109.2	4.2	5250	5250	0.149	0.095	
7218BECBM	-	101	-	149	154	2	1	2.3	121.8	109.2	4.2	5250	6615	0.149	0.095	
-	7318BEP	104	-	176	183	2.5	1	5.2	163.8	140.7	5.04	4515	4200	0.333	0.1	
-	7318BEM	104	-	176	183	2.5	1	5.2	163.8	140.7	5.04	4515	4515	0.333	0.1	
7318BECBP	-	104	-	176	183	2.5	1	5.2	174.3	153.3	5.57	4515	4725	0.333	0.1	
7318BECBY	-	104	-	176	183	2.5	1	5.2	174.3	153.3	5.57	4515	4725	0.333	0.1	
7318BEGAPH	-	104	-	176	183	2.5	1	5.2	174.3	153.3	5.57	4515	4725	0.333	0.1	
7318BECBM	-	104	-	176	183	2.5	1	5.2	174.3	153.3	5.57	4515	5880	0.333	0.1	
-	7219BEP	107	-	158	163	2	1	2.7	130.2	113.4	4.2	4725	4515	0.191	0.095	
7219BECBP	-	107	-	158	163	2	1	2.7	135.45	123.9	4.62	4725	5040	0.191	0.095	

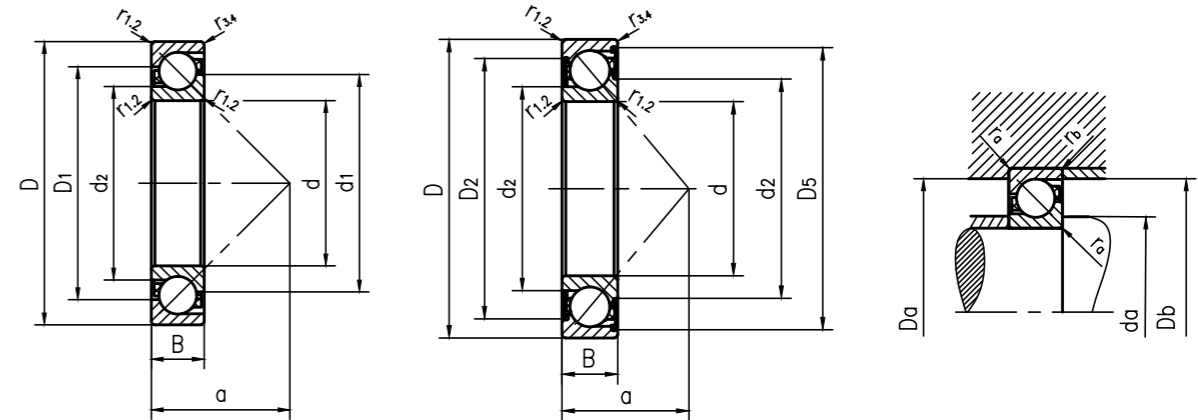
Single row angular contact ball bearing



Type		Main dimensions			Dimensions						
Universal paired bearings	Basic design/sealed bearings	d	D	B	d ₁ ≈	d ₂ ≈	D ₁ , D ₂ ≈	D ₅ ≈	r _{1,2} Min.	r _{3,4} Min.	α
-		mm			mm						
7219BECBY	-	95	170	32	124	109	143	-	2.1	1.1	72
7219BEGAPH	-	95	170	32	124	109	143	-	2.1	1.1	72
7219BECBM	-	95	170	32	124	109	143	-	2.1	1.1	72
-	7319BEP	95	200	45	136	114	162	-	3	1.1	84
-	7319BEM	95	200	45	136	114	162	-	3	1.1	84
7319BECBP	-	95	200	45	136	114	162	-	3	1.1	84
7319BECBY	-	95	200	45	136	114	162	-	3	1.1	84
7319BECBM	-	95	200	45	136	114	162	-	3	1.1	84
-	7220BEP	100	180	34	130	115	151	-	2.1	1.1	76
7220BECBP	-	100	180	34	130	115	151	-	2.1	1.1	76
7220BECBY	-	100	180	34	130	115	151	-	2.1	1.1	76
7220BECBM	-	100	180	34	130	115	151	-	2.1	1.1	76
-	7320BEM	100	215	47	144	120	174	-	3	1.1	90
-	7320BEP	100	215	47	144	120	174	-	3	1.1	90
7320BECBP	-	100	215	47	144	120	174	-	3	1.1	90
7320BECBY	-	100	215	47	144	120	174	-	3	1.1	90
7320BECBM	-	100	215	47	144	120	174	-	3	1.1	90
7221BECBP	-	105	190	36	137	121	160	-	2.1	1.1	80
7221BECBM	-	105	190	36	137	121	160	-	2.1	1.1	80
-	7321BEP	105	225	49	151	127	182	-	3	1.1	94
7321BECBP	-	105	225	49	151	127	182	-	3	1.1	94
7321DECBM	-	105	225	49	151	127	182	-	3	1.1	94
-	7222BEP	110	200	38	144	127	168	-	2.1	1.1	84

Type		Shoulder and chamfer dimensions						Weight	Basic load rating		Fatigue load limit	Rated speed reference speed	Maximum speed	Calculate the coefficient	
Universal paired bearings	Basic design/sealed bearings	d _a Min.	d _a Max.	D _a Max.	D _b Max.	r _a Max.	r _b Max.		Dynamic	Static				P _u	A
-		mm							kg	kN		r/min			
7219BECBY	-	107	-	158	163	2	1	2.7	135.45	123.9	4.62	4725	5040	0.191	0.095
7219BEGAPH	-	107	-	158	163	2	1	2.7	135.45	123.9	4.62	4725	5040	0.191	0.095
7219BECBM	-	107	-	158	163	2	1	2.7	135.45	123.9	4.62	4725	6300	0.191	0.095
-	7319BEP	109	-	186	193	2.5	1	6.05	176.4	157.5	5.46	4200	3990	0.406	0.1
-	7319BEM	109	-	186	193	2.5	1	6.05	176.4	157.5	5.46	4200	4200	0.406	0.1
7319BECBP	-	109	-	186	193	2.5	1	6.05	189	171.15	5.99	4200	4515	0.406	0.1
7319BECBY	-	109	-	186	193	2.5	1	6.05	189	171.15	5.99	4200	4515	0.406	0.1
7319BECBM	-	109	-	186	193	2.5	1	6.05	189	171.15	5.99	4200	5565	0.406	0.1
-	7220BEP	112	-	168	173	2	1	3.3	141.75	128.1	4.62	4515	4200	0.239	0.095
7220BECBP	-	112	-	168	173	2	1	3.3	150.15	140.7	4.99	4515	4725	0.239	0.095
7220BECBY	-	112	-	168	173	2	1	3.3	150.15	140.7	4.99	4515	4725	0.239	0.095
7220BECBM	-	112	-	168	173	2	1	3.3	150.15	140.7	4.99	4515	5880	0.239	0.095
-	7320BEM	114	-	201	208	2.5	1	7.5	213.15	199.5	6.72	3990	3780	0.63	0.1
-	7320BEP	114	-	201	208	2.5	1	7.5	213.15	199.5	6.72	3990	3780	0.63	0.1
7320BECBP	-	114	-	201	208	2.5	1	7.5	226.8	218.4	7.3	3990	4200	0.63	0.1
7320BECBY	-	114	-	201	208	2.5	1	7.5	226.8	218.4	7.3	3990	4200	0.63	0.1
7320BECBM	-	114	-	201	208	2.5	1	7.5	226.8	218.4	7.3	3990	5250	0.63	0.1
7221BECBP	-	117	-	178	183	2	1	3.95	163.8	157.5	5.46	4200	4515	0.302	0.095
7221BECBM	-	117	-	178	183	2	1	3.95	163.8	157.5	5.46	4200	5565	0.302	0.095
-	7321BEP	119	-	211	218	2.5	1	8.55	213.15	202.65	6.72	3780	3570	0.669	0.1
7321BECBP	-	119	-	211	218	2.5	1	8.55	226.8	218.4	7.3	3780	3990	0.669	0.1
7321DECBM	-	119	-	211	218	2.5	1	8.55	226.8	218.4	7.3	3780	5040	0.669	0.1
-	7222BEP	122	-	188	193	2	1	4.6	160.65	150.15	5.15	4200	3780	0.353	0.095

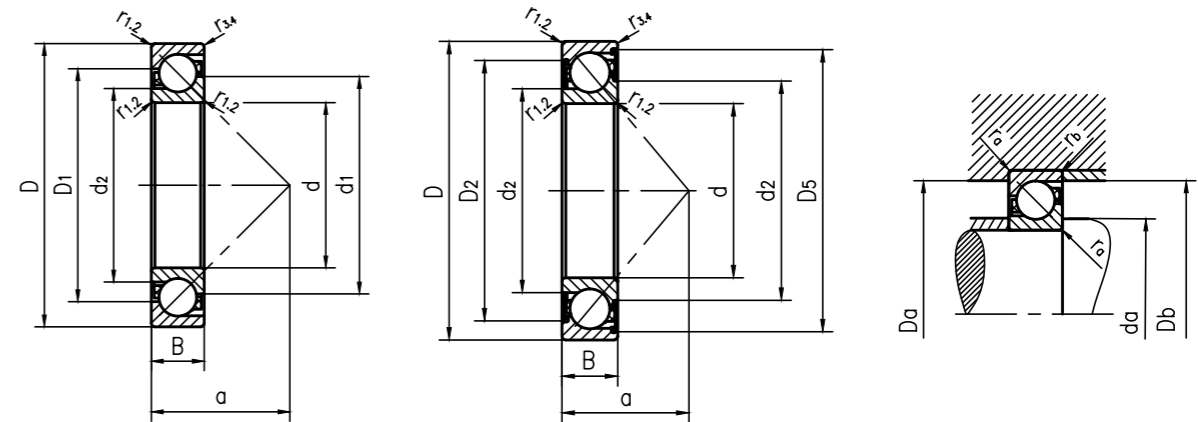
Single row angular contact ball bearing



Type		Main dimensions			Dimensions						
Universal paired bearings	Basic design/sealed bearings	d	D	B	d ₁ ≈	d ₂ ≈	D ₁ , D ₂ ≈	D ₅ ≈	r _{1.2} Min.	r _{3.4} Min.	α
-		mm			mm						
7222BECBP	-	110	200	38	144	127	168	-	2.1	1.1	84
7222BECBY	-	110	200	38	144	127	168	-	2.1	1.1	84
7222BECBM	-	110	200	38	144	127	168	-	2.1	1.1	84
-	7322BEY	110	240	50	160	134	194	-	3	1.1	99
-	7322BEM	110	240	50	160	134	194	-	3	1.1	99
7322BECBP	-	110	240	50	160	134	194	-	3	1.1	99
7322BECBY	-	110	240	50	160	134	194	-	3	1.1	99
7322BECBM	-	110	240	50	160	134	194	-	3	1.1	99
7024BGM	-	120	180	28	143	132	158	-	2	1	77
7224BCBM	7224BM	120	215	40	157	138	180	-	2.1	1.1	90
7324BCBM	-	120	260	55	178	153	211	-	3	1.5	107
7226BCBM	7226BM	130	230	40	168	149	193	-	3	1.1	96
7326BCBM	7326BM	130	280	58	189	161	228	-	4	1.5	115
7028BGM	-	140	210	33	167	154	185	-	2	1	90
7228BCBM	7228BM	140	250	42	183	163	210	-	3	1.1	103
7328BCBM	-	140	300	62	202	172	243	-	4	1.5	123
7030BGM	-	150	225	35	179	166	198	-	2.1	1.1	96
7230BCBM	-	150	270	45	197	175	226	-	3	1.1	111
7330BCBM	-	150	320	65	216	183	259	-	4	1.5	131
7232BCBM	-	160	290	48	211	187	243	-	3	1.1	118
7034BGM	-	170	260	42	205	189	227	-	2.1	1.1	111
7234BCBM	-	170	310	52	227	202	262	-	4	1.5	127
7334BCBM	-	170	360	72	243	207	292	-	4	2	147

Type		Shoulder and chamfer dimensions						Weight	Basic load rating		Fatigue load limit	Rated speed reference speed	Maximum speed	Calculate the coefficient		
Universal paired bearings	Basic design/sealed bearings	d _a Min.	d _a Max.	D _a Max.	D _b Max.	r _a Max.	r _b Max.		Dynamic	Static				P _u	A	K _r
-		mm							kg	kN						
7222BECBP	-	122	-	188	193	2	1	4.6	171.15	163.8	5.57	4200	4200	0.353	0.095	
7222BECBY	-	122	-	188	193	2	1	4.6	171.15	163.8	5.57	4200	4200	0.353	0.095	
7222BECBM	-	122	-	188	193	2	1	4.6	171.15	163.8	5.57	4200	5250	0.353	0.095	
-	7322BEY	124	-	226	233	2.5	1	10	236.25	235.2	7.56	3570	3360	0.906	0.1	
-	7322BEM	124	-	226	233	2.5	1	10	236.25	235.2	7.56	3570	3570	0.906	0.1	
7322BECBP	-	124	-	226	233	2.5	1	10	252	257.25	8.19	3570	3780	0.906	0.1	
7322BECBY	-	124	-	226	233	2.5	1	10	252	257.25	8.19	3570	3780	0.906	0.1	
7322BECBM	-	124	-	226	233	2.5	1	10	252	257.25	8.19	3570	4725	0.906	0.1	
7024BGM	-	130	-	170	174	2	1	2.4	91.46	97.65	3.36	4200	4200	0.139	0.083	
7224BCBM	7224BM	132	-	203	208	2	1	5.9	173.25	171.15	5.57	3780	4200	0.45	0.08	
7324BCBM	-	134	-	246	253	2.5	1	14.5	249.9	262.5	8.03	3150	3780	1.11	0.09	
7226BCBM	7226BM	144	-	216	222	2.5	1	6.95	195.3	202.65	6.41	3570	3990	0.605	0.08	
7326BCBM	7326BM	147	-	263	271	3	1.5	17	289.8	320.25	9.45	2940	3570	1.65	0.09	
7028BGM	-	150	-	200	204	2	1	3.85	119.7	135.45	4.36	3570	3570	0.263	0.083	
7228BCBM	7228BM	154	-	236	243	2.5	1	8.85	208.95	222.6	6.72	3150	3780	0.763	0.08	
7328BCBM	-	158	-	283	291	3	1.5	21.5	317.1	362.25	10.29	2730	3150	2.14	0.09	
7030BGM	-	162	-	213	218	2	1	4.7	139.65	153.3	4.78	3360	3360	0.349	0.083	
7230BCBM	-	164	-	256	263	2.5	1	11.5	226.8	252	7.3	2940	3360	1.01	0.08	
7330BCBM	-	167	-	303	311	3	1.5	26	348.6	409.5	11.34	2520	2940	2.74	0.09	
7232BCBM	-	174	-	276	283	2.5	1	14	267.75	315	8.93	2730	3150	1.48	0.08	
7034BGM	-	182	-	248	253	2	1	7.65	180.6	214.2	6.14	2940	2940	0.643	0.083	
7234BCBM	-	187	-	293	301	3	1.5	17.5	295.05	362.25	9.98	2520	2940	2	0.08	
7334BCBM	-	187	-	343	351	3	2	36	409.5	514.5	13.34	2310	2730	4.32	0.09	

Single row angular contact ball bearing



Type		Main dimensions			Dimensions						
Universal paired bearings	Basic design/sealed bearings	d	D	B	d ₁ ≈	d ₂ ≈	D ₁ , D ₂ ≈	D ₅ ≈	r _{1.2} Min.	r _{3.4} Min.	α
-		mm			mm						
7036BGM	-	180	280	46	219	201	244	-	2.1	1.1	119
723BCBM	-	180	320	52	234	209	269	-	4	1.5	131
7336BCBM	-	180	380	75	257	219	308	-	4	2	156
7038BGM	-	190	290	46	229	211	254	-	2.1	1.1	124
7238BCBM	-	190	340	55	250	224	286	-	4	1.5	139
7338BCBM	-	190	400	78	271	231	325	-	5	2	164
7040BGM	-	200	310	51	243	224	270	-	2.1	1.1	145
7240BCBM	-	200	360	58	263	235	301	-	4	1.5	146
7340BCBM	-	200	420	80	286	247	340	-	5	2	170
7044BGM	-	220	340	56	267	245	296	-	3	1.1	145
7244BCBM	-	220	400	65	291	259	334	-	4	1.5	164
7048BGM	-	240	360	56	287	265	316	-	3	1.1	154
7248BCBM	-	240	440	72	322	292	361	-	4	1.5	180
7052BGM	-	260	400	65	314	289	349	-	4	1.5	171
7056BGM	-	280	420	65	334	309	369	-	4	1.5	179
-	7256BM	280	500	80	367	328	418	-	5	2	204
7260BCBM	-	300	540	85	395	351	450	-	5	2	219

Type		Shoulder and chamfer dimensions							Weight	Basic load rating		Fatigue load limit	Rated speed reference speed	Maximum speed	Calculate the coefficient	
Universal paired bearings	Basic design/sealed bearings	d _a Min.	d _a Max.	D _a Max.	D _b Max.	r _a Max.	r _b Max.	Dynamic		Static	P ₀				A	K _r
-		mm								kg						
7036BGM	-	192	-	268	273	2	1	10	204.75	252	7.04	2730	2730	0.912	0.083	
723BCBM	-	197	-	303	311	3	1.5	18	305.55	393.75	10.5	2520	2730	2.21	0.08	
7336BCBM	-	197	-	363	370	3	2	42	430.5	567	14.39	2100	2520	5.33	0.09	
7038BGM	-	202	-	278	283	2	1	10.5	208.95	267.75	7.3	2520	2520	1	0.083	
7238BCBM	-	207	-	323	331	3	1.5	22	322.35	425.25	10.92	2100	2730	2.63	0.08	
7338BCBM	-	210	-	380	390	4	2	48.5	464.1	630	15.33	2100	2310	6.5	0.09	
7040BGM	-	234	-	285	333	2.5	1.1	18	236.25	304.5	8.19	2310	2310	1.37	0.083	
7240BCBM	-	217	-	343	351	3	1.5	25	341.25	451.5	11.55	2100	2520	3.2	0.08	
7340BCBM	-	220	-	400	410	4	2	53	485.1	687.75	16.38	1995	2310	7.5	0.09	
7044BGM	-	234	-	326	333	2.5	1.1	18	267.75	372.75	9.45	2100	2100	1.97	0.083	
7244BCBM	-	237	-	383	391	3	1.5	37	409.5	588	14.07	1995	2310	5.13	0.08	
7048BGM	-	254	-	346	353	2.5	1.1	19	273	393.75	9.61	1995	1995	2.23	0.082	
7248BCBM	-	257	-	423	431	4	1.5	49	471.45	703.5	16.07	1680	2730	5.12	0.08	
7052BGM	-	276	-	373	380	3	1.5	30	348.6	535.5	12.39	1785	1785	3.94	0.083	
7056BGM	-	298	-	402	411	3	1.5	30	354.9	567	12.81	1680	1680	4.4	0.083	
-	7256BM	300	-	480	489	4	2	67.5	532.35	871.5	18.48	1470	1470	11.3	0.08	
7260BCBM	-	322	-	518	528	4	2	85	580.65	976.5	20.27	1365	1365	15.2	0.08	