

Spherical roller bearings

Features

Spherical roller bearings are double row inseparable bearings, including outer rings with spherical raceways, inner rings with double raceways and drum rollers with cages. It has the characteristic of compensating the misalignment of the shaft. They're suitable for heavy load conditions. There are two types of inner rings, cylindrical bore and tapered bore.

Spherical roller bearings provide: E-type design, CC-type design, CA-type design.

E-type structure design: It consists of symmetrical rollers, a floating guide ring between two rows of rollers, an inner ring without ribs, two hardened stamped steel cages and an outer ring.

This type of bearing is a patented product of KMR. Its dynamic load rating has been increased by an average of 25% to 35%. Therefore, under the same conditions, the rated life of the bearing is 2.0-3.5 times that of the traditional structure bearing of the same type

CC type structure design: It consists of symmetrical rollers, two stamped steel cages, an inner ring without ribs, a floating guide ring between two rows of rollers and an outer ring.

CA-type structural design: It consists of symmetrical rollers, fork-shaped machined brass or steel cages, inner and outer rings with ribs.

Radial and axial load carrying capacity

Spherical roller bearings can bearing bidirectional axial forces and extremely high radial forces. The optimized fit between the rollers and the raceways ensures a uniform stress distribution in the bearing.

Bearings with Tapered bore

The inner ring of the spherical roller bearing has a tapered bore design.

Seals

KMR has a sealed series of spherical roller bearings.

Bearings with Cylindrical bore

All series of spherical roller bearing inner rings have a cylindrical bore design.

Spherical Roller Bearings for Vibrating Machinery

For machines that required eccentric motion, such as vibrating screens and compactors, KMR has developed a series of spherical roller bearings suitable for applications in vibration situations. These bearings are in the 223 series, with a cylindrical or tapered bore, with shaft diameters ranging from 40 to 240 mm, and a standard radial internal clearance of C4.

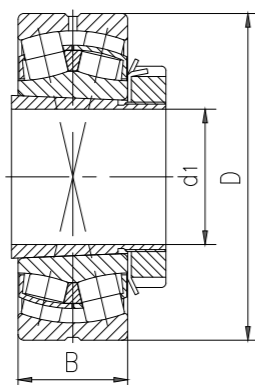
Existing bearings for vibrating machinery have been tested and verified to prove that they can greatly reduce the temperature and prolong the service life of the machine. KMR spherical roller bearings for vibration machinery have the following advantages: Applied in all kinds of vibrating machinery, it shows excellent performance. The performance of KMR bearings allows the design of more compact arrangements. High wear resistance even in polluted environments.



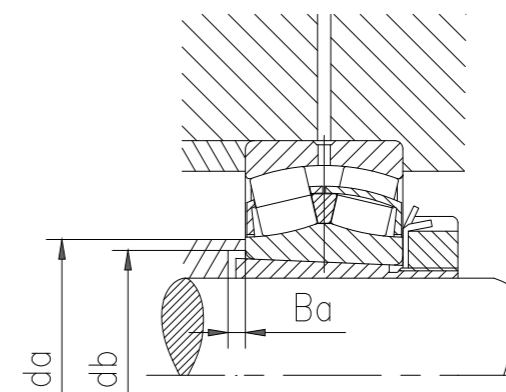
suffix for an existing design

Suffix	Meaning
BC	Bearing for wind turbine main shafts with roller-guided cast iron cage
CA CAC	Retaining langes on the inner ring, guide ring centred on the inner ring, machined brass
CC(J) CJ	Flangeless inner ring, guide ring centred on the inner ring, two stamped steel cages
CCJA EJA	Flangeless inner ring, guide ring centred on the outer ring raceway, two stamped steel cages
E	Optimized internal design for increased load carrying capacity 213, 222 and 223 series: Flangeless inner ring and two stamped steel cages Annular groove and three lubrication holes in the outer ring d ≤ 65 mm: Guide ring centred on the inner ring d > 65 mm: Guide ring centred on the cage
-CS -2CS	Contact seal, NBR, on one or both sides
-CS2 -2CS2	Contact seal, FKM, on one or both sides
-CS5 -2CS5	Contact seal, HNBR, on one or both sides
-RS -2RS	Contact seal, NBR, on one or both sides
-RS5 -2RS5	Contact seal, HNBR, on one or both sides
K	Tapered bore, taper 1:12
K30	Tapered bore, taper 1:30
F	Machined steel cage, inner ring centred
FA	Machined steel cage, outer ring centred
J	Stamped steel cage, inner ring centred
JA	Stamped steel cage, outer ring centred
MA	Machined brass cage, outer ring centred
C08	Running accuracy to P5 tolerance class
C083	C08 + C3
C084	C08 + C4
C2	Radial internal clearance smaller than Normal
C3	Radial internal clearance greater than Normal
C4	Radial internal clearance greater than C3
C5	Radial internal clearance greater than C4
P5	Dimensional and running accuracy to P5 tolerance class
P6	Dimensional and running accuracy to P6 tolerance class
P62	P6 + C2
235220	Case-hardened inner ring with a helical groove in the bore
HA3	Case-hardened inner ring

Spherical roller bearings on an adapter sleeve

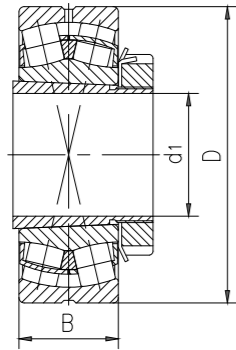


Type		Main dimensions			Shoulder and chamfer dimensions			Weight Bearing+Set sleeve
Bearing	Set sleeve	d	D	B	d _a max.	d _a min.	B _a min.	
		mm			mm			kg
-	-							
22205EK	H305	20	52	18	31	28	5	0.33
22206EK	H306	25	62	20	37	33	5	0.39
22207EK	H307	30	72	23	44	39	5	0.59
22208EK	H308	35	80	23	49	44	5	0.68
BS2-2208-2RSK/VT143	H2308E	35	80	28	47	44	8	0.8
21308EK	H308	35	90	23	60	44	5	0.92
22308EK	H2308	35	90	33	49	45	6	1.25
22209EK	H309	40	85	23	54	50	7	0.81
BS2-2209-2RSK/VT143	H309E	40	85	28	52	48	0	0.9
21309EK	H309	40	100	25	65	50	5	1.2
22309EK	H2309	40	100	36	57	50	6	1.7
22210EK	H310	45	90	23	60	55	9	0.9
BS2-2210-2RSK/VT143	H310E	45	90	28	58	54	2	1
21310EK	H310	45	110	27	72	55	6	1.6
22310EK	H2310	45	110	40	63	56	5	2.25
22211EK	H311	50	100	25	65	60	10	1.1
BS2-2211-2RSK/VT143	H311E	50	100	31	63	59	2	1.3
21311EK	H311	50	120	29	72	60	6	1.95
22311EK	H2311	50	120	43	70	61	6	2.85
22212EK	H312	55	110	28	72	65	9	1.45
BS2-2212-2RSK/VT143	H312E	55	110	34	69	64	1	1.7
22312EK	H2312	55	130	46	77	66	6	3.5
22213EK	H313	60	120	31	80	70	8	1.95
BS2-2213-2RSK/VT143	H2313E	60	120	38	76	70	14	2.1
22214EK	H314	60	125	31	83	75	9	2.15
BS2-2214-2RSK/VT143	H314E	60	125	38	80	74	1	2.4
21313EK	H313	60	140	33	94	70	6	2.9
21313EK	H313	60	140	48	81	72	5	4.2
21314EK	H314	60	150	35	101	75	6	3.7
22314EK	H2314	60	150	51	90	76	6	5.35
22215EK	H315	65	130	31	87	80	12	2.45
BS2-2215-2RSK/VT143	H315E	65	130	38	84	80	3	2.8
21315EK	H315	65	160	37	101	80	6	4.5
22315EK	H2315	65	160	55	92	82	5	6.5
22216EK	H316	70	140	33	94	85	12	3
BS2-2216-2RSK/VT143	H316E	70	140	40	91	85	2.5	3.3

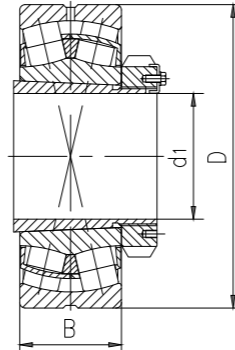


Type		Main dimensions			Shoulder and chamfer dimensions			Weight Bearing+Set sleeve
Bearing	Set sleeve	d	D	B	d _a max.	d _a min.	B _a min.	
		mm			mm			kg
-	-							
21316EK	H316	70	170	39	106	85	6	5.3
22316EK	H2316	70	170	58	98	88	6	7.65
22217EK	H317	75	150	36	101	91	12	3.7
BS2-2217-2RSK/VT143	H317E	75	150	44	98	90	1.5	4.1
21317EK	H317	75	180	41	106	91	7	6.2
22317EK	H2317	75	180	60	108	94	7	8.85
22218EK	H318	80	160	40	106	96	10	4.55
BS2-2218-2RSK/VT143	H2318E/L73	80	160	48	102	97	7.5	5.1
23218CCK/W33	H2318	80	160	52.4	106	100	18	6
21318EK	H318	80	190	43	112	96	7	7.25
22318EK	H2318	80	190	64	113	100	7	10.5
22219EK	H319	85	170	43	112	102	9	5.45
21319EK	H319	85	200	45	118	102	7	8.25
22319EK	H2319	85	200	67	118	105	7	12
23120CCK/W33	H3120	90	165	52	115	107	6	6.15
22220EK	H320	90	180	46	118	108	8	6.4
BS2-2220-2RS5K/VT143	H2320E	90	180	55	114	108	22.5	7.4
23220CCK/W33	H2320	90	180	60.3	117	110	19	8.75
21320EK	H320	90	215	47	118	108	7	10.5
22320EK	H2320	90	215	73	130	110	7	15
23022CCK/W33	H322	100	170	45	125	118	14	5.75
23122-2CS5K/VT143	H3122E	100	180	56	122	65	9	7.7
23122CCK/W33	H3122	100	180	56	126	117	7	7.7
22222EK	H322	100	200	53	130	118	6	8.9
BS2-2222-2RS5K/VT143	H2322E	100	200	63	126	118	21.5	10
23222-2CS5K/VT143	H2322E	100	200	69.8	126	121	17	12.5
23222CCK/W33	H2322	100	200	69.8	130	121	17	12.5
22322EK	H2322	100	240	80	143	121	7	21
23024CCK/W33	H3024	110	180	46	135	127	7	5.95
23124CCK/W33	H3124	110	200	62	139	128	7	10
22224EK	H3124	110	215	58	141	128	11	11
BS2-2224-2RS5K/VT143	H2324EH	110	215	69	136	129	21.5	12.5
23224-2CS5K/VT143	H2324L	110	215	76	137	131	17	14.5
23224CCK/W33	H2324	110	215	76	141	131	17	14.5
22324-2CS5K/VT143	H2324	110	260	86	147	131	7	25.5
22324CCK/W33	H2324	110	260	86	152	131	7	25.5

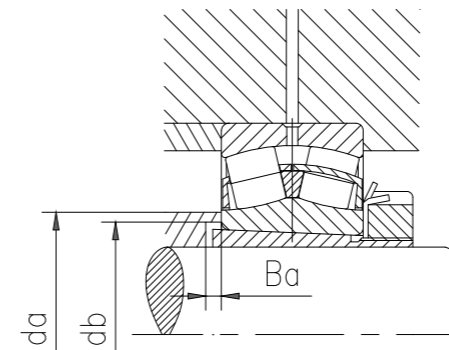
Spherical roller bearings on an adapter sleeve



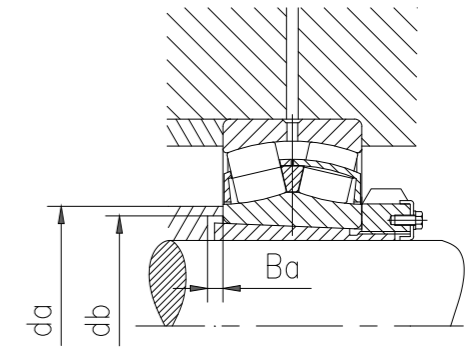
Bearing on an H... sleeve



Bearing on an OH... H sleeve



H

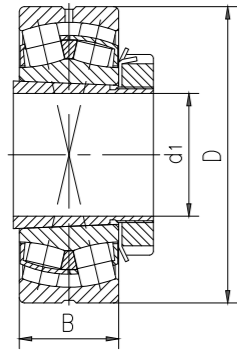


OH

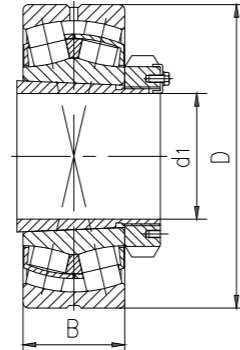
Type		Main dimensions			Shoulder and chamfer dimensions			Weight Bearing+Set sleeve
Bearing	Set sleeve	d	D	B	d _a max.	d _a min.	B _a min.	
		mm			mm			kg
23026-2CS5K/VT143	H3026E	115	200	52	145	137	8	8.7
23026CCK/W33	H3026	115	200	52	148	137	8	8.6
23126CCK/W33	H3126	115	210	64	148	138	8	12
22226EK	H3126	115	230	64	152	138	8	14
BS2-2226-2CS5K/VT143	H2326L	115	230	75	147	139	23.5	14.5
23226-2CS5K/VT143	H2326L	115	230	80	147	142	21	18
23226CCK/W33	H2326	115	230	80	151	142	21	18.5
22326-2CS5K/VT143	H2326	115	280	93	159	142	8	33
22326CCK/W33	H2326	115	280	93	164	142	8	33
23028-2CS5K/VT143	H3028E	125	210	53	155	147	8	9.4
23028CCK/W33	H3028	125	210	53	158	147	8	9.4
23128CCK/W33	H3028	125	225	68	159	149	8	14.5
22228-2CS5K/VT143	H3128L	125	250	68	161	149	8	17.5
22228CCK/W33	H3128	125	250	68	166	149	8	18
23228-2CS5K/VT143	H2328	125	250	88	161	152	22	24
23228CCK/W33	H2328	125	250	88	165	152	22	24
22328-2CS5K/VT143	H2328	125	300	102	169	152	8	41
22328CCK/W33	H2328	125	300	102	175	152	8	41
23030-2CS5K/VT143	H3030E	135	225	56	165	158	8	11.5
23030	H3030E	135	225	56	169	158	8	11
23130-2CS5K/VT143	H3130E	135	250	80	168	160	8	20
23130CCK/W33	H3130E	135	250	80	172	160	8	21
22230-2CS5K/VT143	H3130	135	270	73	174	160	15	23
22230CCK/W33	H3130	135	270	73	178	160	15	23
23230-2CS5K/VT143	H2330L	135	270	96	171	163	20	30
23230CCK/W33	H2330	135	270	96	175	163	20	30
22330-2CS5K/VT143	H2330	135	320	108	181	163	8	49
22330CCK/W33	H2330	135	320	108	188	163	8	47.5
23032-2CS5K/VT143	H3032E	140	240	60	177	168	9	14.5
23032CCK/W33	H3032	140	240	60	180	168	9	14.5
23132-2CS5K/VT143	H3132E	140	270	86	180	170	8	27.5
23132CCK/W33	H3132	140	270	86	184	170	8	27.5
22232-2CS5K/VT143	H3132	140	290	80	185	170	14	29.5
22232CCK/W33	H3132	140	290	80	191	170	14	29.5
22232CCK/W34CCK/W33	H2332	140	290	104	188	174	18	39
22332-2CS5K/VT143	H2332	140	340	114	193	174	8	60

Type		Main dimensions			Shoulder and chamfer dimensions			Weight Bearing+Set sleeve
Bearing	Set sleeve	d	D	B	d _a max.	d _a min.	B _a min.	
		mm			mm			kg
22332CCK/W33	H2332	140	340	114	200	174	8	60
23034-2CS5K/VT143	H3034E	150	260	67	188	179	9	18.5
23034CCK/W33	H3034	150	260	67	191	179	9	18.5
23134-2CS5K/VT143	H3134	150	280	88	190	180	8	29.5
23134CCK/W33	H3134	150	280	88	195	180	8	29.5
22234-2CS5K/VT143	H3134	150	310	86	198	180	10	36
22234CCK/W33	H3134	150	310	86	203	180	10	36
23234CCK/W33	H2334	150	310	110	200	185	18	46.5
22334CCK/W33	H2334	150	360	120	213	185	8	69.5
23936CCK/W33	H3936	160	250	52	199	188	9	13.5
23036-2CS5K/VT143	H3036E	160	280	74	199	189	9	23
23036CCK/W33	H3036	160	280	74	204	189	9	23
23136-2CS5K/VT143	H3136L	160	300	96	202	191	8	35
23136CCK/W33	H3136	160	300	96	207	191	8	37
22236-2CS5K/VT143	H3136	160	320	86	208	191	18	37.5
22236CCK/W33	H3136	160	320	86	213	191	18	38
22236CCK/W33	H2336	160	320	112	211	195	22	49.5
22236CCK/W33	H2336	160	380	126	224	195	8	80
23938CCK/W33	H3938	170	260	52	209	198	10	14.5
23038CCK/W33	H3038	170	290	75	216	199	10	25
23138-2CS5K/VT143	H3138	170	320	104	215	202	9	44.5
23138CCK/W33	H3138	170	320	104	220	202	9	44.5
22238-2CS5K/VT143	H3138	170	340	92	220	202	21	44.5
22238CCK/W33	H3138	170	340	92	225	202	21	46
23238CCK/W33	H2338	170	340	120	222	206	21	59
23238CCK/W33	H2338	170	400	132	236	206	9	93
23940CCK/W33	H3940	180	280	60	222	208	10	19
23040-2CS5K/VT143	H3040	180	310	82	223	210	10	30
23040CCK/W33	H3040	180	310	82	228	210	10	31.5
23140-2CS5K/VT143	H3140	180	340	112	227	212	9	53.5
23140CCK/W33	H3140	180	340	112	231	212	9	55.5
22240CCK/W33	H3140	180	360	98	238	212	24	66
23240-2CS5K/VT143	H2340L	180	360	128	229	216	19	69.5
23240CCK/W33	H2340	180	360	128	235	216	19	70
22340CCK/W33	H2340	180	420	138	249	216	9	107
23944CCK/W33	OH3944H	200	300	60	241	229	12	22.5

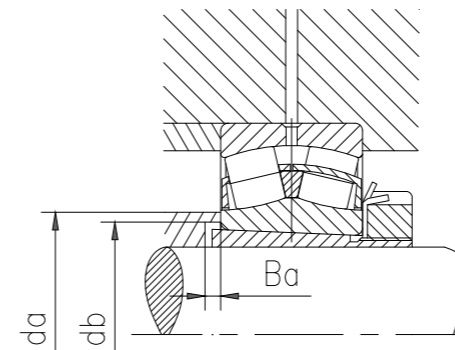
Spherical roller bearings on an adapter sleeve



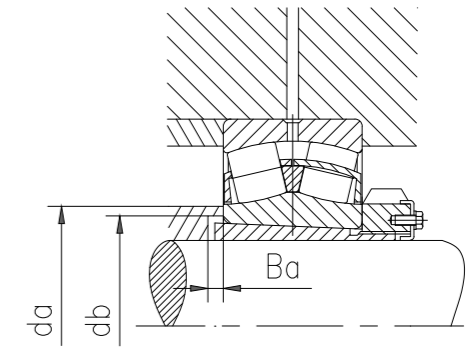
Bearing on an H... sleeve



Bearing on an OH... H sleeve



H

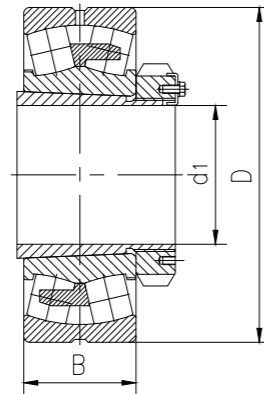


OH

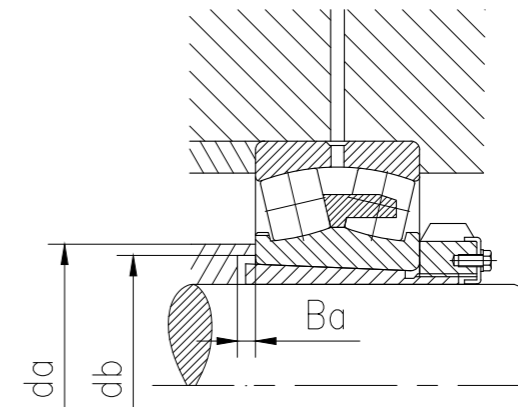
Type		Main dimensions			Shoulder and chamfer dimensions			Weight Bearing+Set sleeve
Bearing	Set sleeve	d	D	B	d _a max.	d _a min.	B _a min.	
		mm			mm			kg
23044-2CS5K/VT143	OH3044H	200	340	90	245	231	10	38
23044CCK/W33	OH3044H	200	340	90	250	231	10	39.5
23144-2CS5K/VT143	OH3144HTL	200	370	120	249	233	10	66.5
23144CCK/W33	OH3144H	200	370	120	255	233	10	67.5
22244-2CS5K/VT143	OH3144H	200	400	108	257	233	21	71.5
22244CCK/W33	OH3144H	200	400	108	263	233	21	74
23244CCK/W33	OH2344H	200	400	144	259	236	11	96.5
22344-2CS5K/VT143	OH2344H	200	460	145	270	236	10	131
22344CCK/W33	OH2344H	200	460	145	279	236	10	135
23948CCK/W33	OH3948H	220	320	60	261	249	12	24.5
23048-2CS5K/VT143	OH3048HE	220	360	92	265	251	11	42.5
23048CCK/W33	OH3048H	220	360	92	271	251	11	44.5
22240-2CS5K/VT143	H3140	220	360	98	232	212	24	53
23148-2CS5K/VT143	OH3148HTL	220	400	128	270	254	11	79.5
23148CCK/W33	OH3148H	220	400	128	277	254	11	80.5
22248CCK/W33	OH3148H	220	440	120	290	254	19	99
23248CCK/W33	OH2348H	220	440	160	286	257	6	125
22348CCK/W33	OH2348H	220	500	155	303	257	11	170
23952CCK/W33	OH3952	240	360	75	287	270	12	35
23052-2CS5K/VT143	OH3052HE	240	400	104	289	272	11	58
23052CCK/W33	OH3052H	240	400	104	295	272	11	60.5
23152-2CS5K/VT143	OH3152HTL	240	440	144	293	276	11	105
23152CAK/W33CCK/W33	OH3152H	240	440	144	301	276	11	109
22252CCK/W33	OH3152H	240	480	130	312	276	25	130
23252CCK/W33	OH2352H	240	480	174	312	278	2	160
22352CAK/W33	OH2352H	240	540	165	328	278	11	215
23956CCK/W33	OH3956H	260	380	75	308	290	12	40
23056CAK/W33	OH3056H	260	420	106	315	292	12	67
23156-2CS5K/VT143	OH3156HTL	260	460	146	314	296	12	114
23156CCK/W33	OH3156H	260	460	146	321	296	12	115
22256CAK/W33	OH3156H	260	500	130	333	296	28	135
23256CCK/W33	OH2356H	260	500	176	332	299	11	165
22356CCK/W33	OH2356H	260	580	175	354	299	12	250
23960CCK/W33	OH3960H	280	420	90	333	312	13	58.5
23060CAK/W33	OH3060H	280	460	118	340	313	12	90
23160-2CS5K/VT143	OH3160HE	280	500	160	337	318	12	153

Type		Main dimensions			Shoulder and chamfer dimensions			Weight Bearing+Set sleeve
Bearing	Set sleeve	d	D	B	d _a max.	d _a min.	B _a min.	
		mm			mm			kg
23160CCK/W33	OH3160H	280	500	160	345	318	12	150
22260CAK/W33	OH3160H	280	540	140	354	318	32	170
23260CCK/W33	OH3260H	280	540	192	356	321	12	210
23964CCK/W33	OH3964H	300	440	90	354	332	13	61
23064CAK/W33	OH3064H	300	480	121	360	334	13	97
23164-2CS5K/VT143	OH3164H	300	540	176	361	338	13	192
23164CCK/W33	OH3164H	300	540	176	370	338	13	185
22264CAK/W33	OH3164H	300	580	150	379	338	39	200
23264CCK/W33	OH3264H	300	580	208	382	343	13	260
23968CCK/W33	OH3968H	320	460	90	373	352	14	67.5
23068CAK/W33	OH3068H	320	520	133	385	355	14	130
23168-2CS5K/VT143	OH3168HE	320	580	190	385	360	14	252
23168CCK/W33	OH3168H	320	580	190	394	360	14	250
23268CAK/W33	OH3268H	320	620	224	427	364	14	335
23972CCK/W33	OH3972H	340	480	90	394	372	14	70.5
23072CAK/W33	OH3072H	340	540	134	404	375	14	135
23172-2CS5K/VT143	OH3172HE	340	600	192	408	380	14	265
23172CCK/W33	OH3172H	340	600	192	418	380	14	260
22272CAK/W33	OH3172H	340	650	170	454	380	36	375
23272CAK/W33	OH3272H	340	650	232	449	385	14	375
23976CCK/W33	OH3976H	360	520	106	419	393	15	95
23076CAK/W33	OH3076H	360	560	135	426	396	15	145
23176CAK/W33	OH3176H	360	620	194	454	401	15	275
23276CAK/W33	OH3276H	360	680	240	473	405	15	420
23980CCK/W33	OH3980H	380	540	106	439	413	15	100
23080CAK/W33	OH3080H	380	600	148	450	417	15	180
23180-2CS5K/VT143	OH3180HE	380	650	200	458	421	15	312
23180CAK/W33	OH3180H	380	650	200	475	421	15	325
23280CAK/W33	OH3280H	380	720	256	500	427	15	505
22380CAK/W33	OH3280H	380	820	243	534	427	28	735
23984CCK/W33	OH3984H	400	560	106	459	433	15	105
23084CAK/W33	OH3084H	400	620	150	487	437	16	190
23184CCK/W33	OH3184H	400	700	224	483	443	16	410
23284CAK/W33	OH3284H	400	760	272	526	446	16	590
23988CCK/W33	OH3988H	410	600	118	484	454	17	150
23088CAK/W33	OH3088H	410	650	157	511	458	17	235

Spherical roller bearings on an adapter sleeve



Type		Main dimensions			Shoulder and chamfer dimensions			Weight Bearing+Set sleeve
Bearing	Set sleeve	d	D	B	d _a max.	d _a min.	B _a min.	
		mm			mm			kg
-	-							
23188CAK/W33	OH3188H	410	720	226	529	463	17	430
23288CAK/W33	OH3288H	410	790	280	549	469	17	670
23992CAK/W33	OH3992H	430	620	118	516	474	17	160
23092CAK/W33	OH3092H	430	680	163	533	478	17	265
23192CAK/W33	OH3192H	430	760	240	555	484	17	530
23292CAK/W33	OH3292H	430	830	296	574	490	17	790
23996CAK/W33	OH3996H	450	650	128	537	496	18	185
23096CAK/W33	OH3096H	450	700	165	549	499	18	275
23196CAK/W33	OH3196H	450	790	248	579	505	18	590
23296CAK/W33	OH3296H	450	870	310	602	512	18	935
239/500CAK/W33	OH39/500H	470	670	128	561	516	18	195
230/500CAK/W33	OH30/500H	470	720	167	573	519	18	290
231/500CAK/W33	OH31/500H	470	830	264	605	527	18	690
232/500CAK/W33	OH32/500H	470	920	336	633	534	18	1100
239/530CAK/W33	OH39/530H	500	710	136	594	547	20	255
230/530CAK/W33	OH30/530H	500	780	185	613	551	20	405
231/530CAK/W33	OH31/530H	500	870	272	638	558	20	785
232/530CAK/W33	OH32/530H	500	980	355	670	566	20	1360
239/560CAK/W33	OH39/560H	530	750	140	627	577	20	260
230/560CAK/W33	OH30/560H	530	820	195	646	582	20	445
231/560CAK/W33	OH31/560H	530	920	280	675	589	20	880
232/560CAK/W33	OH32/560H	530	1030	365	706	595	20	1490
239/600CAK/W33	OH39/600H	560	800	150	671	619	22	330
230/600CAK/W33	OH30/600H	560	870	200	685	623	22	525
231/600CAK/W33	OH31/600H	560	980	300	722	629	22	1070
232/600CAK/W33	OH32/600H	560	1090	388	754	639	22	1780



Type		Main dimensions			Shoulder and chamfer dimensions			Weight Bearing+Set sleeve
Bearing	Set sleeve	d	D	B	d _a max.	d _a min.	B _a min.	
		mm			mm			kg
-	-							
239/630CAK/W33	OH39/630H	600	850	165	708	650	22	385
230/630CAK/W33	OH30/630H	600	920	212	727	654	22	595
231/630CAK/W33	OH31/630H	600	1010	315	755	663	22	1240
230/710CAK/W33	OH30/710H	600	1030	236	816	736	26	860
239/670CAK/W33	OH39/670H	630	900	170	752	691	22	455
230/670CAK/W33	OH30/670H	630	980	230	772	696	22	755
231/670CAK/W33	OH31/670H	630	1090	336	804	705	22	1510
232/670CAK/W33	OH32/670H	630	1220	438	832	711	22	2540
239/710CAK/W33	OH39/710H	670	950	180	794	732	26	525
231/710CAK/W33	OH31/710H	670	1150	345	851	745	26	1750
232/710CAK/W33	OH32/710H	670	1280	450	875	753	26	3000
239/750CAK/W33	OH39/750H	710	1000	185	838	772	26	605
230/750CAK/W33	OH30/750H	710	1090	250	859	778	26	990
231/750CAK/W33	OH31/750H	710	1220	365	900	787	26	2050
239/800CAK/W33	OH39/800H	750	1060	195	891	822	28	730
230/800CAK/W33	OH30/800H	750	1150	258	917	829	28	1200
231/800CAK/W33	OH31/800H	750	1280	375	949	838	28	2430
239/850CAK/W33	OH39/850H	800	1120	200	946	872	28	950
230/850CAK/W33	OH30/850H	800	1220	272	972	880	28	1390
239/900CAK/W33	OH39/900H	850	1180	206	996	924	30	930
230/900CAK/W33	OH30/900H	850	1280	280	1025	931	30	1580
239/950CAK/W33	OH39/950H	900	1250	224	1056	976	30	1120
OH230/950CAK/W33	OH30/950H	900	1360	300	1086	983	30	1870
231/1000CAK/W33	OH31/1000H	950	1580	462	1185	1047	33	4340
239/1060CAK/W33	OH39/1060H	1000	1400	250	1179	1087	33	1590