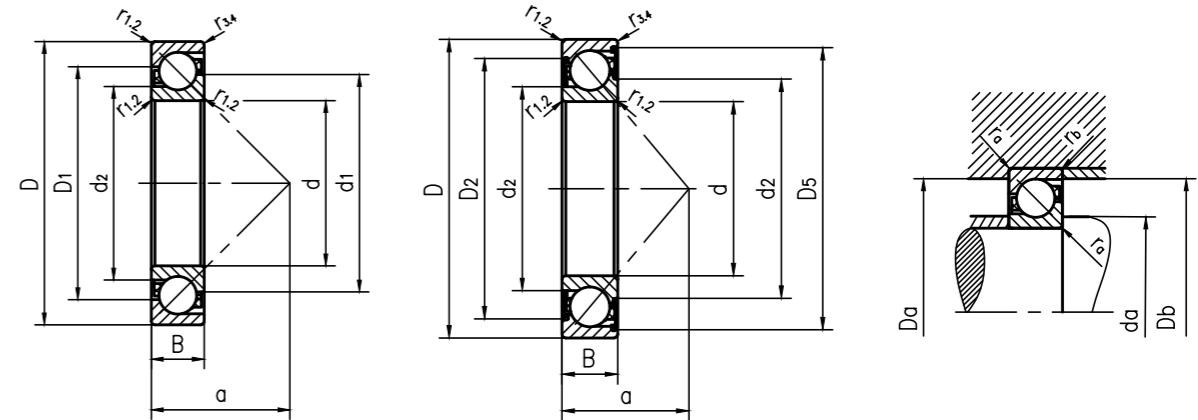


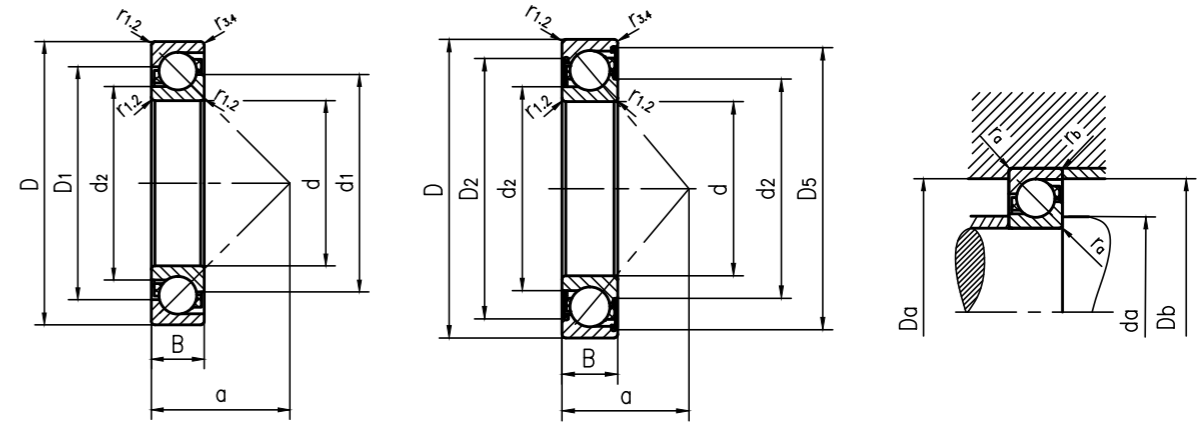
Single row angular contact ball bearing



Type		Main dimensions			Dimensions						
Universal paired bearings	Basic design/sealed bearings	d	D	B	d ₁ ≈	d ₂ ≈	D ₁ , D ₂ ≈	D ₅ ≈	r _{1.2} Min.	r _{3.4} Min.	α
-		mm			mm						
7200BECBP	7200BEP	10	30	9	18.3	14.5	22.9	-	0.6	0.3	13
7201 BECBP	7201 BEP	12	32	10	20.2	16.5	25	-	0.6	0.3	14
-	7301 BE-2RZP	12	37	12	21.9	16.9	29.5	33.5	1	0.6	16.3
-	7301 BEP	12	37	12	21.7	16.9	28.3	-	1	0.6	16.3
-	7202 BE-2RZP	15	35	11	22.7	18.9	28.5	32.4	0.6	0.3	16
-	7202 BEP	15	35	11	22.7	18.9	27.8	-	0.6	0.3	16
7202 BECBP	-	15	35	11	22.7	18.9	27.8	-	0.6	0.3	16
7202 ACCBM	-	15	35	11	22.8	18.8	27.6	-	0.6	0.3	16
-	7302 BE-2RZP	15	42	13	26	20.7	33.8	38.6	1	0.6	18.6
7302 BECBP	7302 BEP	15	42	13	26	20.7	32.6	-	1	0.6	18.6
-	7203 BE	17	40	12	26.2	21.6	34	36.5	0.6	0.6	18
-	7203 BEP	17	40	12	26.2	21.6	31.2	-	0.6	0.6	18
7203 BECBP	-	17	40	12	26.2	21.6	31.2	-	0.6	0.6	18
7203 BECBM	-	17	40	12	26.2	21.6	31.2	-	0.6	0.6	18
-	7203 BEY	17	40	12	26.2	21.6	31.2	-	0.6	0.6	18
7203 ACCBM	-	17	40	12	26	21.5	31.4	-	0.6	0.6	12
-	7303 BE-2RZP	17	47	14	28.6	22.8	37.4	42.6	1	0.6	20.4
7303 BECBP	7303 BEP	17	47	14	28.6	22.8	36.2	-	1	0.6	20.4
-	7204 BE-2RZP	20	47	14	30.8	25.8	37.7	43.2	1	0.6	21
-	7204 BEP	20	47	14	30.8	25.8	37	-	1	0.6	21
7204 BECBP	-	20	47	14	30.8	25.8	37	-	1	0.6	21
7204 BECBPH	-	20	47	14	30.8	25.8	37	-	1	0.6	21
7204 BECUBY	-	20	47	14	30.8	25.8	37	-	1	0.6	21

Type		Shoulder and chamfer dimensions						Weight	Basic load rating		Fatigue load limit	Rated speed reference speed	Maximum speed	Calculate the coefficient	
Universal paired bearings	Basic design/sealed bearings	d _a Min.	d _a Max.	D _a Max.	D _b Max.	r _a Max.	r _b Max.		Dynamic	Static				P _u	r/min
-		mm							kg	kN		-			
7200BECBP	7200BEP	14.2	-	25.8	27.6	0.6	0.3	0.03	7.37	3.52	0.15	31500	31500	0.00022	0.095
7201 BECBP	7201 BEP	16.2	-	27.8	30	0.6	0.3	0.036	7.99	3.99	0.17	29400	27300	0.00028	0.095
-	7301 BE-2RZP	17.2	21.5	31.4	32.8	1	0.6	0.06	11.13	5.25	0.22	27300	21000	0.00054	0.1
-	7301 BEP	17.2	-	31.4	32.8	1	0.6	0.06	11.13	5.25	0.22	27300	21000	0.00054	0.1
-	7202 BE-2RZP	19.2	22.5	30.8	32.6	0.6	0.3	0.045	8.74	4.62	0.19	25200	21000	0.00038	0.095
-	7202 BEP	19.2	-	30.8	32.6	0.6	0.3	0.045	8.74	4.62	0.19	25200	21000	0.00038	0.095
7202 BECBP	-	19.2	-	30.8	32.6	0.6	0.3	0.045	9.24	4.88	0.21	25200	27300	0.00038	0.095
7202 ACCBM	-	19.2	-	30.8	32.6	0.6	0.3	0.045	10.71	5.46	0.24	27300	42000	0.00016	0.095
-	7302 BE-2RZP	21	22.5	36	38	1	0.6	0.082	13.65	7.04	0.29	23100	17850	0.00091	0.1
7302 BECBP	7302 BEP	21	-	36	38	1	0.6	0.08	13.65	7.04	0.29	23100	21000	0.00091	0.1
-	7203 BE	21.2	26.2	35.8	35.8	0.6	0.6	0.063	10.92	5.78	0.25	23100	17850	0.00063	0.095
-	7203 BEP	21.2	-	35.8	35.8	0.6	0.6	0.065	10.92	5.78	0.25	23100	21000	0.00063	0.095
7203 BECBP	-	21.2	-	35.8	35.8	0.6	0.6	0.065	11.55	6.14	0.26	23100	23100	0.00063	0.095
7203 BECBM	-	21.2	-	35.8	35.8	0.6	0.6	0.065	11.55	6.14	0.26	23100	29400	0.00063	0.095
-	7203 BEY	21.2	-	35.8	35.8	0.6	0.6	0.065	11.66	6.41	0.27	23100	21000	0.00069	0.095
7203 ACCBM	-	21.2	-	35.8	35.8	0.6	0.6	0.065	13.13	7.04	0.3	25200	35700	0.00025	0.095
-	7303 BE-2RZP	22.6	28	41.4	42.8	1	0.6	0.11	16.7	8.72	0.37	21000	15750	0.00014	0.1
7303 BECBP	7303 BEP	22.6	-	41.4	42.8	1	0.6	0.11	16.7	8.72	0.37	21000	19950	0.00014	0.1
-	7204 BE-2RZP	25.6	30	41.4	42.8	1	0.6	0.15	13.97	8.03	0.34	19950	14700	0.00011	0.095
-	7204 BEP	25.6	-	41.4	42.8	1	0.6	0.11	13.97	8.03	0.34	19950	18900	0.00011	0.095
7204 BECBP	-	25.6	-	41.4	42.8	1	0.6	0.11	15.02	8.56	0.36	19950	19950	0.00011	0.095
7204 BECBPH	-	25.6	-	41.4	42.8	1	0.6	0.11	15.02	8.56	0.36	19950	19950	0.00011	0.095
7204 BECUBY	-	25.6	-	41.4	42.8	1	0.6	0.11	15.02	8.56	0.36	19950	19950	0.00011	0.095

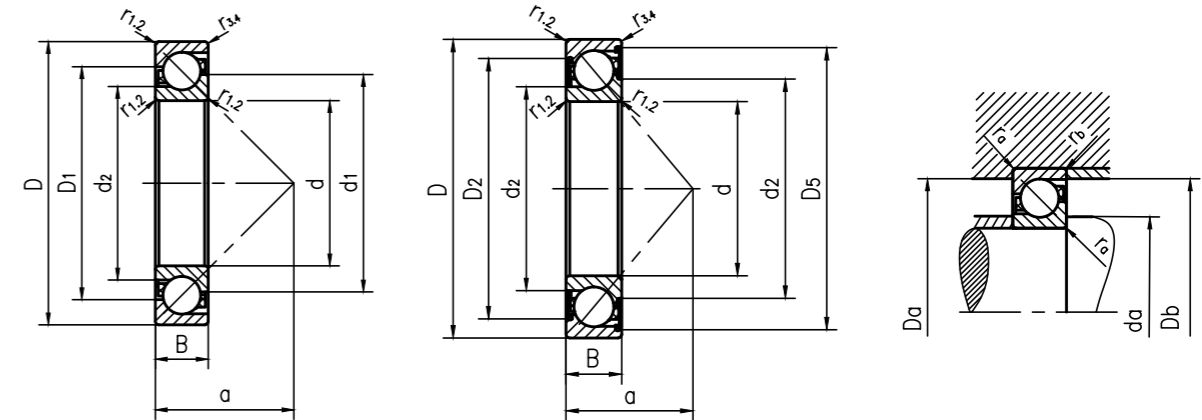
Single row angular contact ball bearing



Type		Main dimensions			Dimensions						
Universal paired bearings	Basic design/sealed bearings	d	D	B	d ₁ ≈	d ₂ ≈	D ₁ , D ₂ ≈	D ₅ ≈	r _{1,2} Min.	r _{3,4} Min.	α
-		mm			mm						
7204 BECBM	-	20	47	14	30.8	25.8	37	-	1	0.6	21
7204 ACCB	-	20	47	14	30.7	25.7	36.7	-	1	0.6	14
-	7304 BE-2RZP	20	52	15	33.1	26.7	41.6	48.1	1.1	0.6	22.8
-	7304 BEP	20	52	15	33.1	26.7	40.5	-	1.1	0.6	22.8
7304 BECBP	-	20	52	15	33.1	26.7	40.5	-	1.1	0.6	22.8
7304 BECBPH	-	20	52	15	33.1	26.7	40.5	-	1.1	0.6	22.8
7304 BECBM	-	20	52	15	33.1	26.7	40.5	-	1.1	0.6	22.8
7304 BECBY	-	20	52	15	33.1	26.7	40.5	-	1.1	0.6	22.8
7304 ACCBM	-	20	52	15	32.9	26.6	40.4	-	1.1	0.6	15
-	7205 BE-2RZP	25	52	15	36.1	30.8	42.7	48	1	0.6	24
-	7205 BEP	25	52	15	36.1	30.8	41.6	-	1	0.6	24
-	7205 BEY	25	52	15	36.1	30.8	41.6	-	1	0.6	24
7205 BECBP	-	25	52	15	36.1	30.8	41.5	-	1	0.6	24
7205 BECBY	-	25	52	15	36.1	30.8	41.5	-	1	0.6	24
7205 BECBM	-	25	52	15	36.1	30.8	41.5	-	1	0.6	24
7205 BECBPH	-	25	52	15	36.1	30.8	41.5	-	1	0.6	24
7205 ACCBM	-	25	52	15	35.8	30.7	41.7	-	1	0.6	16
-	7305 BE-2RZP	25	62	17	39.7	32.3	50.5	56.9	1.1	0.6	26.8
-	7305 BEP	25	62	17	39.7	32.3	48.3	-	1.1	0.6	26.8
-	7305 BEY	25	62	17	39.7	32.3	48.3	-	1.1	0.6	26.8
7305 BECBP	-	25	62	17	39.7	32.3	48.3	-	1.1	0.6	26.8
7305 BECBPH	-	25	62	17	39.7	32.3	48.3	-	1.1	0.6	26.8
7305 BECBY	-	25	62	17	39.7	32.3	48.3	-	1.1	0.6	26.8

Type		Shoulder and chamfer dimensions							Weight	Basic load rating		Fatigue load limit	Rated speed reference speed	Maximum speed	Calculate the coefficient	
Universal paired bearings	Basic design/sealed bearings	d _a Min.	d _a Max.	D _a Max.	D _b Max.	r _a Max.	r _b Max.	Dynamic		Static	P ₀				A	K _r
-		mm								kg						
7204 BECBM	-	25.6	-	41.4	42.8	1	0.6	0.11	15.02	8.56	0.36	19950	25200	0.00011	0.095	
7204 ACCB	-	25.6	-	41.4	42.8	1	0.6	0.11	16.8	9.77	0.41	21000	31500	0.00046	0.095	
-	7304 BE-2RZP	27	3.5	45	47.8	1	0.6	0.14	18.27	9.98	0.42	17850	13650	0.0091	0.1	
-	7304 BEP	27	-	45	47.8	1	0.6	0.14	18.27	9.98	0.42	17850	16800	0.0091	0.1	
7304 BECBP	-	27	-	45	47.8	1	0.6	0.14	19.95	10.5	0.45	17850	18900	0.0091	0.1	
7304 BECBPH	-	27	-	45	47.8	1	0.6	0.14	19.95	10.5	0.45	17850	18900	0.0091	0.1	
7304 BECBM	-	27	-	45	47.8	1	0.6	0.14	19.95	10.5	0.45	17850	23100	0.0091	0.1	
7304 BECBY	-	27	-	45	47.8	1	0.6	0.14	21.42	11.76	0.5	17850	18900	0.00212	0.1	
7304 ACCBM	-	27	-	45	47.8	1	0.6	0.14	21.84	11.76	0.5	19950	27300	0.00771	0.1	
-	7205 BE-2RZP	30.6	35.5	46.4	47.8	1	0.6	0.13	15.54	9.77	0.42	16800	12600	0.00159	0.095	
-	7205 BEP	30.6	-	46.4	47.8	1	0.6	0.13	15.54	9.77	0.42	16800	15750	0.00159	0.095	
-	7205 BEY	30.6	-	46.4	47.8	1	0.6	0.13	15.54	9.77	0.42	16800	15750	0.00159	0.095	
7205 BECBP	-	30.6	-	46.4	47.8	1	0.6	0.13	16.38	10.5	0.45	16800	17850	0.00159	0.095	
7205 BECBY	-	30.6	-	46.4	47.8	1	0.6	0.13	16.38	10.5	0.45	16800	17850	0.00159	0.095	
7205 BECBM	-	30.6	-	46.4	47.8	1	0.6	0.13	16.38	10.5	0.45	16800	21000	0.00159	0.095	
7205 BECBPH	-	30.6	-	46.4	47.8	1	0.6	0.13	16.38	10.5	0.45	16800	17850	0.00159	0.095	
7205 ACCBM	-	30.6	-	46.4	47.8	1	0.6	0.13	18.9	11.97	0.51	17850	27300	0.00656	0.095	
-	7305 BE-2RZP	32	39	55	57	1	0.6	0.23	25.41	14.7	0.63	14700	11550	0.00391	0.1	
-	7305 BEP	32	-	55	57	1	0.6	0.23	25.41	14.7	0.63	14700	14700	0.00391	0.1	
-	7305 BEY	32	-	55	57	1	0.6	0.23	25.41	14.7	0.63	14700	14700	0.00391	0.1	
7305 BECBP	-	32	-	55	57	1	0.6	0.23	27.83	16.07	0.69	14700	15750	0.00391	0.1	
7305 BECBPH	-	32	-	55	57	1	0.6	0.23	27.83	16.07	0.69	14700	15750	0.00391	0.1	
7305 BECBY	-	32	-	55	57	1	0.6	0.23	27.83	16.07	0.69	14700	15750	0.00391	0.1	

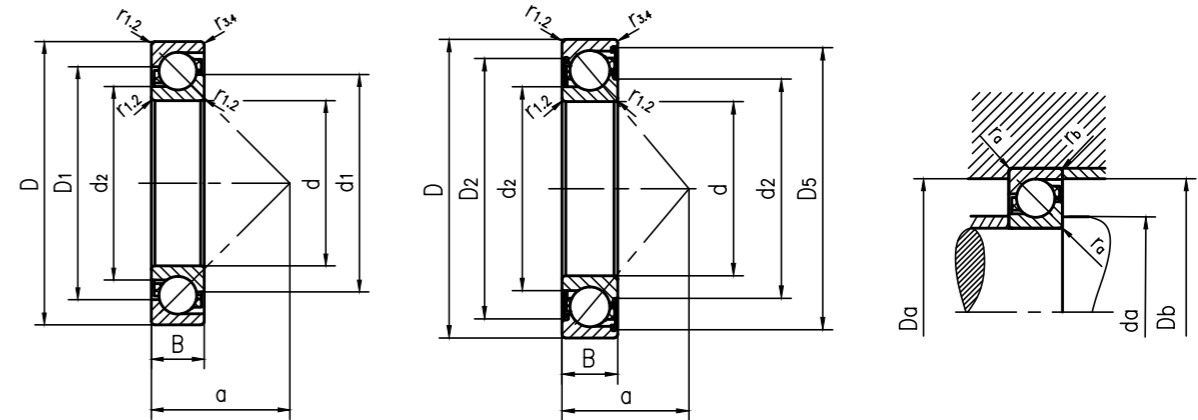
Single row angular contact ball bearing



Type		Main dimensions			Dimensions						
Universal paired bearings	Basic design/sealed bearings	d	D	B	d ₁ ≈	d ₂ ≈	D ₁ , D ₂ ≈	D ₅ ≈	r _{1.2} Min.	r _{3.4} Min.	α
-		mm			mm						
7305 BECBM	-	25	62	17	39.7	32.3	48.3	-	1.1	0.6	26.8
7305 ACCBM	-	25	62	17	39.5	32.2	48.1	-	1.1	0.6	18
-	7206 BE-2RZP	30	62	16	42.6	36.1	51.8	57.6	1	0.6	27.3
-	7206 BEP	30	62	16	42.6	36.1	50.1	-	1	0.6	27.3
7206 BECBP	-	30	62	16	42.6	36.1	50.1	-	1	0.6	27.3
7206 BECBPH	-	30	62	16	42.6	36.1	50.1	-	1	0.6	27.3
7206 BECBM	-	30	62	16	42.6	36.1	50.1	-	1	0.6	27.3
7206 BECBY	-	30	62	16	42.6	36.1	50.1	-	1	0.6	27.3
7206 ACCBM	-	30	62	16	42.4	35.9	50.1	-	1	0.6	18
-	7306 BE-2RZP	30	72	19	46.5	37.9	58.8	66.45	1.1	0.6	31
-	7306 BEP	30	72	19	46.5	37.9	56.6	-	1.1	0.6	31
7306 BECBP	-	30	72	19	46.5	37.9	56.6	-	1.1	0.6	31
7306 BEGAPH	-	30	72	19	46.5	37.9	56.6	-	1.1	0.6	31
7306 BECBM	-	30	72	19	46.5	37.9	56.6	-	1.1	0.6	31
7306 BECBY	-	30	72	19	46.5	37.9	56.6	-	1.1	0.6	31
7306 ACCBM	-	30	72	19	46.3	37.8	56.4	-	1.1	0.6	21
-	7308 ACCBM	35	72	17	49.6	41.9	59.9	67.7	1.1	0.6	31
-	7207 BEP	35	72	17	49.6	41.9	58.3	-	1.1	0.6	31
7207 BECBP	-	35	72	17	49.6	41.9	58.3	-	1.1	0.6	31
7207 BECBM	-	35	72	17	49.6	41.9	58.3	-	1.1	0.6	31
7207 BECBY	-	35	72	17	49.6	41.9	58.3	-	1.1	0.6	31
7207 ACCBM	-	35	72	17	49.4	41.9	58.3	-	1.1	0.6	20
-	7307 BE-2RZP	35	80	21	52.5	43.6	65.1	74.3	1.5	1	35

Type		Shoulder and chamfer dimensions						Weight	Basic load rating		Fatigue load limit	Rated speed reference speed	Maximum speed	Calculate the coefficient		
Universal paired bearings	Basic design/sealed bearings	d _a Min.	d _a Max.	D _a Max.	D _b Max.	r _a Max.	r _b Max.		Dynamic	Static				P _u	A	K _r
-		mm							kg	kN						
7305 BECBM	-	32	-	55	57	1	0.6	0.23	27.83	16.07	0.69	14700	19950	0.00391	0.1	
7305 ACCBM	-	32	-	55	57	1	0.6	0.23	30.45	17.85	0.76	15750	23100	0.00158	0.1	
-	7206 BE-2RZP	35.6	42	56	57	1	0.6	0.26	23.63	15.02	0.64	13650	10500	0.0037	0.095	
-	7206 BEP	35.6	-	56	57	1	0.6	0.2	23.63	15.02	0.64	13650	13650	0.0037	0.095	
7206 BECBP	-	35.6	-	56	57	1	0.6	0.2	25.2	16.38	0.69	13650	14700	0.0037	0.095	
7206 BECBPH	-	35.6	-	56	57	1	0.6	0.2	25.2	16.38	0.69	13650	14700	0.0037	0.095	
7206 BECBM	-	35.6	-	56	57	1	0.6	0.2	25.2	16.38	0.69	13650	18900	0.0037	0.095	
7206 BECBY	-	35.6	-	56	57	1	0.6	0.2	26.78	17.85	0.75	13650	14700	0.00408	0.095	
7206 ACCBM	-	35.6	-	56	57	1	0.6	0.2	28.88	18.17	0.77	15750	21000	0.00155	0.095	
-	7306 BE-2RZP	37	46	65	67	1	0.6	0.35	34.13	20.27	0.86	12600	9975	0.0074	0.1	
-	7306 BEP	37	-	65	67	1	0.6	0.34	34.13	20.27	0.86	12600	12600	0.0074	0.1	
7306 BECBP	-	37	-	65	67	1	0.6	0.34	37.28	22.26	0.95	12600	13650	0.0074	0.1	
7306 BEGAPH	-	37	-	65	67	1	0.6	0.34	37.28	22.26	0.95	12600	13650	0.0074	0.1	
7306 BECBM	-	37	-	65	67	1	0.6	0.34	37.28	22.26	0.95	12600	16800	0.0074	0.1	
7306 BECBY	-	37	-	65	67	1	0.6	0.34	39.38	24.36	1.03	12600	13650	0.00814	0.1	
7306 ACCBM	-	37	-	65	67	1	0.6	0.34	40.95	24.78	1.05	13650	19950	0.003	0.1	
-	7308 ACCBM	42	49	65	67	1	0.6	0.35	30.56	19.95	0.86	11550	9450	0.00674	0.095	
-	7207 BEP	42	-	65	67	1	0.6	0.28	30.56	19.95	0.86	11550	11550	0.00674	0.095	
7207 BECBP	-	42	-	65	67	1	0.6	0.28	32.55	21.84	0.92	11550	12600	0.00674	0.095	
7207 BECBM	-	42	-	65	67	1	0.6	0.28	32.55	21.84	0.92	11550	15750	0.00674	0.095	
7207 BECBY	-	42	-	65	67	1	0.6	0.28	34.13	23.52	1	11550	12600	0.0073	0.095	
7207 ACCBM	-	42	-	65	67	1	0.6	0.28	34.13	24.36	1.03	12600	18900	0.00277	0.095	
-	7307 BE-2RZP	44	52	71	74	1.5	1	0.45	40.95	25.73	1.09	11550	8925	0.0111	0.1	

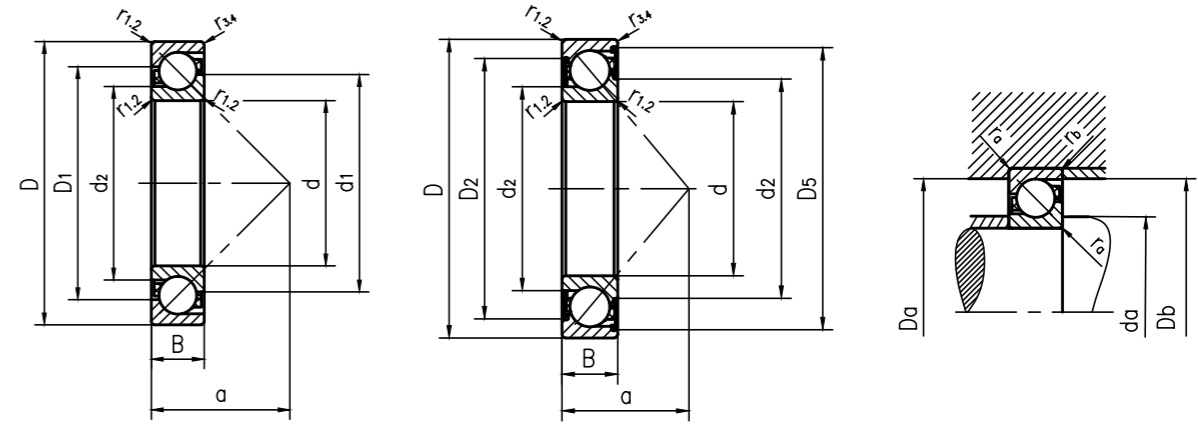
Single row angular contact ball bearing



Type		Main dimensions			Dimensions						
Universal paired bearings	Basic design/sealed bearings	d	D	B	d ₁	d ₂	D ₁ , D ₂	D ₅	r _{1,2} Min.	r _{3,4} Min.	α
		mm			mm						
-	7307 BEP	35	80	21	52.5	43.6	63.5	-	1.5	1	35
7307 BECBP	-	35	80	21	52.5	43.6	63.5	-	1.5	1	35
7307 BECBBY	-	35	80	21	52.5	43.6	63.5	-	1.5	1	35
7307 BEGAPH	-	35	80	21	52.5	43.6	63.5	-	1.5	1	35
7307 BECBM	-	35	80	21	52.5	43.6	63.5	-	1.5	1	35
7307 ACCBM	-	35	80	21	52.5	43.5	63.2	-	1.5	1	23
-	7208 BE-2RZP	40	80	18	56.2	48	67.2	75.3	1.1	0.6	34
-	7208 BEP	40	80	18	56.2	48	65.6	-	1.1	0.6	34
7208 BECBP	-	40	80	18	56.2	48	65.6	-	1.1	0.6	34
7208 BECBPH	-	40	80	18	56.2	48	65.6	-	1.1	0.6	34
7208 BECBM	-	40	80	18	56.2	48	65.6	-	1.1	0.6	34
7208 BECBBY	-	40	80	18	56.2	48	65.6	-	1.1	0.6	34
7208 ACCBM	-	40	80	18	56	48	65.6	-	1.1	0.6	23
-	7308 BE-2RZP	40	90	23	59.7	49.5	73.9	83	1.5	1	39
-	7308 BEP	40	90	23	59.7	49.5	71.6	-	1.5	1	39
7308 BECBP	-	40	90	23	59.7	49.5	71.6	-	1.5	1	39
7308 BEGAPH	-	40	90	23	59.7	49.5	71.6	-	1.5	1	39
7308 BECBM	-	40	90	23	59.5	49.5	71.6	-	1.5	1	39
7308 BECBBY	-	40	90	23	59.5	49.5	71.6	-	1.5	1	39
7308 ACCBM	-	40	90	23	59.7	49.5	71.4	-	1.5	1	26
-	7209BE-2RZP	45	85	19	60.8	52.6	71.8	79.9	1.1	0.6	37
7209BECBP	-	45	85	19	60.8	52.6	70.2	-	1.1	0.6	37
7209BEGAPH	-	45	85	19	60.8	52.6	70.2	-	1.1	0.6	37
7209BECBM	-	45	85	19	60.8	52.6	70.2	-	1.1	0.6	37

Type		Shoulder and chamfer dimensions						Weight	Basic load rating		Fatigue load limit	Rated speed reference speed	Maximum speed	Calculate the coefficient		
Universal paired bearings	Basic design/sealed bearings	d _a Min.	d _a Max.	D _a Max.	D _b Max.	r _a Max.	r _b Max.		Dynamic	Static				P _u	A	K _r
		mm							kg	kN						
-	7307 BEP	44	-	71	74	1.5	1	0.45	40.95	25.73	1.09	11550	10500	0.0111	0.1	
7307 BECBP	-	44	-	71	74	1.5	1	0.45	43.58	27.83	1.2	11550	11550	0.0111	0.1	
7307 BECBBY	-	44	-	71	74	1.5	1	0.45	43.58	27.83	1.2	11550	11550	0.0111	0.1	
7307 BEGAPH	-	44	-	71	74	1.5	1	0.45	43.58	27.83	1.2	11550	11550	0.0111	0.1	
7307 BECBM	-	44	-	71	74	1.5	1	0.45	43.58	27.83	1.2	11550	14700	0.0111	0.1	
7307 ACCBM	-	44	-	71	74	1.5	1	0.45	48.83	31.5	1.33	11550	17850	0.00453	0.1	
-	7208 BE-2RZP	47	55	73	75	1	0.6	0.42	36.23	25.2	1.07	10500	8400	0.0102	0.095	
-	7208 BEP	47	-	73	75	1	0.6	0.37	36.23	25.2	1.07	10500	10500	0.0102	0.095	
7208 BECBP	-	47	-	73	75	1	0.6	0.37	38.33	27.3	1.16	10500	11550	0.0102	0.095	
7208 BECBPH	-	47	-	73	75	1	0.6	0.37	38.33	27.3	1.16	10500	11550	0.0102	0.095	
7208 BECBM	-	47	-	73	75	1	0.6	0.37	38.33	27.3	1.16	10500	13650	0.0102	0.095	
7208 BECBBY	-	47	-	73	75	1	0.6	0.37	40.95	29.4	1.26	10500	11550	0.0109	0.095	
7208 ACCBM	-	47	-	73	75	1	0.6	0.37	43.58	30.45	1.31	11550	16800	0.00419	0.095	
-	7308 BE-2RZP	49	59	81	84	1.5	1	0.62	48.51	32.03	1.35	9975	7875	0.0173	0.1	
-	7308 BEP	49	-	81	84	1.5	1	0.62	48.51	32.03	1.35	9975	9450	0.0173	0.1	
7308 BECBP	-	49	-	81	84	1.5	1	0.62	52.5	34.13	1.44	9975	10500	0.0173	0.1	
7308 BEGAPH	-	49	-	81	84	1.5	1	0.62	52.5	34.13	1.44	9975	10500	0.0173	0.1	
7308 BECBM	-	49	-	81	84	1.5	1	0.68	52.5	34.13	1.44	9975	12600	0.0173	0.1	
7308 BECBBY	-	49	-	81	84	1.5	1	0.64	55.65	37.28	1.58	9975	10500	0.0189	0.1	
7308 ACCBM	-	49	-	81	84	1.5	1	0.68	58.8	37.8	1.61	10500	15750	0.00707	0.1	
-	7209BE-2RZP	52	60	78	80	1	0.6	0.52	37.59	27.3	1.18	9975	7875	0.012	0.095	
7209BECBP	-	52	-	78	80	1	0.6	0.42	39.9	29.93	1.28	9975	10500	0.012	0.095	
7209BEGAPH	-	52	-	78	80	1	0.6	0.42	39.9	29.93	1.28	9975	10500	0.012	0.095	
7209BECBM	-	52	-	78	80	1	0.6	0.42	39.9	29.93	1.28	9975	12600	0.012	0.095	

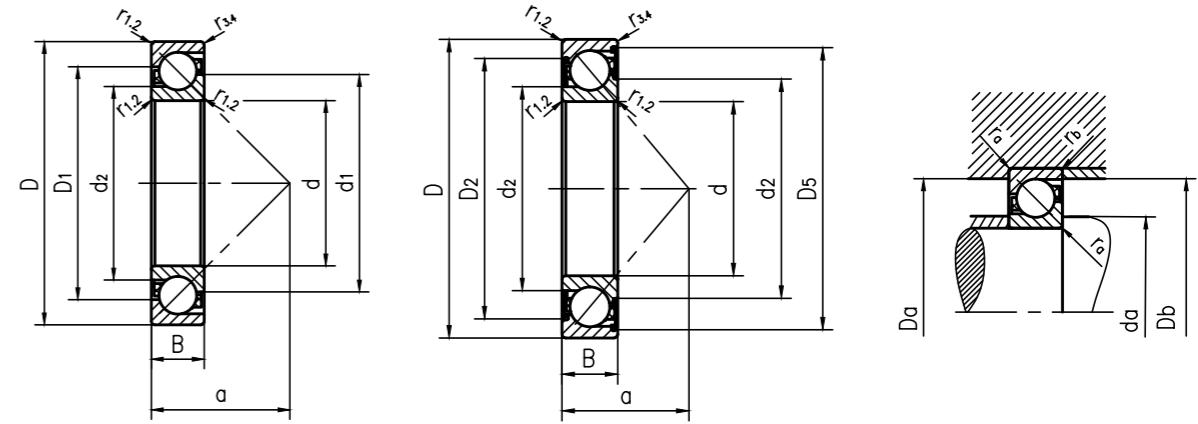
Single row angular contact ball bearing



Type		Main dimensions			Dimensions						
Universal paired bearings	Basic design/sealed bearings	d	D	B	d ₁	d ₂	D ₁ , D ₂	D ₅	r _{1.2} Min.	r _{3.4} Min.	α
-		mm			mm						
7209BECBY	-	45	85	19	60.8	52.6	70.2	-	1.1	0.6	37
7209ACCBM	-	45	85	19	60.6	52.6	70.1	-	1.1	0.6	24
-	7309BE-2RZP	45	100	25	66.5	55.2	81.4	90.8	1.5	1	43
-	7309BEP	45	100	25	66.5	55.2	79.9	-	1.5	1	43
7309BECBP	-	45	100	25	66.5	55.2	79.9	-	1.5	1	43
7309BEGAPH	-	45	100	25	66.5	55.2	79.9	-	1.5	1	43
7309BECBM	-	45	100	25	66.5	55.2	79.9	-	1.5	1	43
7309BECBY	-	45	100	25	66.5	55.2	79.9	-	1.5	1	43
7309ACCBM	-	45	100	25	66.3	55.2	79.6	-	1.5	1	29
-	7210BE-2RZP	50	90	20	65.7	57.6	76.8	84.9	1.1	0.6	39
-	7210BEP	50	90	20	65.7	57.6	75.2	-	1.1	0.6	39
7210BECBP	-	50	90	20	65.7	57.6	75.2	-	1.1	0.6	39
7210BECBPH	-	50	90	20	65.7	57.6	75.2	-	1.1	0.6	39
7210BECBM	-	50	90	20	65.7	57.6	75.2	-	1.1	0.6	39
7210BECBY	-	50	90	20	65.7	57.6	75.2	-	1.1	0.6	39
7210ACCBM	-	50	90	20	65.6	57.6	75.1	-	1.1	0.6	26
-	7310BE-2RZP	50	110	27	73.8	61.1	91.6	101	2	1	47
7310BECBP	-	50	110	27	73.8	61.1	88.8	-	2	1	47
7310BEGAPH	-	50	110	27	73.8	61.1	88.8	-	2	1	47
7310BECBM	-	50	110	27	73.8	61.1	88.8	-	2	1	47
7310BECBY	-	50	110	27	73.8	61.1	88.8	-	2	1	47
7310ACCBM	-	50	110	27	73.6	61.1	88.4	-	2	1	32

Type		Shoulder and chamfer dimensions						Weight	Basic load rating		Fatigue load limit	Rated speed reference speed	Maximum speed	Calculate the coefficient		
Universal paired bearings	Basic design/sealed bearings	d _a Min.	d _a Max.	D _a Max.	D _b Max.	r _a Max.	r _b Max.		Dynamic	Static				P ₀	A	K _f
-		mm							kg	kN						
7209BECBY	-	52	-	78	80	1	0.6	0.42	42	32.03	1.35	9975	10500	0.0128	0.095	
7209ACCBM	-	52	-	78	80	1	0.6	0.42	46.2	33.6	1.44	10500	15750	0.00496	0.095	
-	7309BE-2RZP	54	66	91	94	1.5	1	0.85	58.7	39.38	1.68	8925	7035	0.0268	0.1	
-	7309BEP	54	-	91	94	1.5	1	0.82	58.7	39.38	1.68	8925	8400	0.0268	0.1	
7309BECBP	-	54	-	91	94	1.5	1	0.82	64.05	42.53	1.82	8925	9450	0.0268	0.1	
7309BEGAPH	-	54	-	91	94	1.5	1	0.82	64.05	42.53	1.82	8925	9450	0.0268	0.1	
7309BECBM	-	54	-	91	94	1.5	1	0.91	64.05	42.53	1.82	8925	11550	0.0268	0.1	
7309BECBY	-	54	-	91	94	1.5	1	0.87	67.2	47.25	2	8925	9450	0.0292	0.1	
7309ACCBM	-	54	-	91	94	1.5	1	0.91	71.4	47.78	2.03	9450	13650	0.0109	0.1	
-	7210BE-2RZP	57	65	83	85	1	0.6	0.55	39.59	29.93	1.28	9450	7350	0.014	0.095	
-	7210BEP	57	-	83	85	1	0.6	0.47	39.59	29.93	1.28	9450	8925	0.014	0.095	
7210BECBP	-	57	-	83	85	1	0.6	0.47	42	32.55	1.39	9450	9450	0.014	0.095	
7210BECBPH	-	57	-	83	85	1	0.6	0.47	42	32.55	1.39	9450	9450	0.014	0.095	
7210BECBM	-	57	-	83	85	1	0.6	0.47	42	32.55	1.39	9450	11550	0.014	0.095	
7210BECBY	-	57	-	83	85	1	0.6	0.47	43.58	35.18	1.47	9450	9450	0.015	0.095	
7210ACCBM	-	57	-	83	85	1	0.6	0.47	47.78	37.28	1.58	9975	14700	0.00584	0.095	
-	7310BE-2RZP	61	73	99	104	2	1	1.2	72.35	49.88	2.1	7875	6300	0.0418	0.1	
7310BECBP	-	61	-	99	104	2	1	1.1	78.75	53.55	2.27	7875	8400	0.0418	0.1	
7310BEGAPH	-	61	-	99	104	2	1	1.1	78.75	53.55	2.27	7875	8400	0.0418	0.1	
7310BECBM	-	61	-	99	104	2	1	1.1	78.75	53.55	2.27	7875	10500	0.0418	0.1	
7310BECBY	-	61	-	99	104	2	1	1.15	81.9	58.8	2.48	7875	8400	0.0456	0.1	
7310ACCBM	-	61	-	99	104	2	1	1.1	87.15	59.85	2.52	8400	12600	0.017	0.1	

Single row angular contact ball bearing



Type		Main dimensions			Dimensions						
Universal paired bearings	Basic design/sealed bearings	d	D	B	d ₁ ≈	d ₂ ≈	D ₁ , D ₂ ≈	D ₅ ≈	r _{1,2} Min.	r _{3,4} Min.	α
-		mm			mm						
-	7211BE-2RZP	55	100	21	72.5	63.6	85.1	94.3	1.5	1	43
-	7211BEP	55	100	21	72.5	63.6	83.7	-	1.5	1	43
7211BECBP	-	55	100	21	72.4	63.6	83.7	-	1.5	1	43
7211BECBPH	-	55	100	21	72.4	63.6	83.7	-	1.5	1	43
7211BECBM	-	55	100	21	72.4	63.6	83.7	-	1.5	1	43
7211BECBY	-	55	100	21	72.4	63.6	83.7	-	1.5	1	43
7211ACCBM	-	55	100	21	72.6	63.6	83.2	-	1.5	1	28
-	7311BEP	55	120	29	80.3	66.6	96.6	-	2	1	51
7311BECBP	-	55	120	29	80.3	66.6	96.6	-	2	1	51
7311BECBPH	-	55	120	29	80.3	66.6	96.6	-	2	1	51
7311BECBM	-	55	120	29	80.3	66.6	96.6	-	2	1	51
7311BECBY	-	55	120	29	80.3	66.6	96.6	-	2	1	51
7311ACCBM	-	55	120	29	80.1	66.6	96.2	-	2	1	34
-	7212BEP	60	110	22	79.6	69.3	91.6	-	1.5	1	47
7212BECBP	-	60	110	22	79.6	69.3	91.6	-	1.5	1	47
7212BECBPH	-	60	110	22	79.6	69.3	91.6	-	1.5	1	47
7212BECBY	-	60	110	22	79.6	69.3	91.6	-	1.5	1	47
7212BECBM	-	60	110	22	79.6	69.3	91.6	-	1.5	1	46
7212ACCBM	-	60	110	22	79.5	69.2	91.5	-	1.5	1	30
-	7312BEP	60	130	31	87.2	72.6	105	-	2.1	1.1	55
7312BECBP	-	60	130	31	87.2	72.6	105	-	2.1	1.1	55
7312BECBPH	-	60	130	31	87.2	72.6	105	-	2.1	1.1	55
7312BECBY	-	60	130	31	87.2	72.6	105	-	2.1	1.1	55

Type		Shoulder and chamfer dimensions						Weight	Basic load rating		Fatigue load limit	Rated speed reference speed	Maximum speed	Calculate the coefficient	
Universal paired bearings	Basic design/sealed bearings	d _a Min.	d _a Max.	D _a Max.	D _b Max.	r _a Max.	r _b Max.		Dynamic	Static				P _u	A
-		mm							kg	kN		r/min			
-	7211BE-2RZP	64	72	91	94	1.5	1	0.62	48.51	37.8	1.61	8400	6615	0.022	0.095
-	7211BEP	64	-	91	94	1.5	1	0.62	48.51	37.8	1.61	8400	7875	0.022	0.095
7211BECBP	-	64	-	91	94	1.5	1	0.62	51.45	42	1.74	8400	8400	0.022	0.095
7211BECBPH	-	64	-	91	94	1.5	1	0.62	51.45	42	1.74	8400	8400	0.022	0.095
7211BECBM	-	64	-	91	94	1.5	1	0.62	51.45	42	1.74	8400	10500	0.022	0.095
7211BECBY	-	64	-	91	94	1.5	1	0.62	53.55	44.63	1.89	8400	8400	0.0235	0.095
7211ACCBM	-	64	-	91	94	1.5	1	0.62	59.85	47.25	2	8925	12600	0.00917	0.095
-	7311BEP	66	-	109	114	2	1	1.4	83.27	57.75	2.44	7350	7035	0.0574	0.1
7311BECBP	-	66	-	109	114	2	1	1.4	89.25	63	2.68	7350	7350	0.0574	0.1
7311BECBPH	-	66	-	109	114	2	1	1.4	89.25	63	2.68	7350	7350	0.0574	0.1
7311BECBM	-	66	-	109	114	2	1	1.4	89.25	63	2.68	7350	9450	0.0574	0.1
7311BECBY	-	66	-	109	114	2	1	1.4	94.5	68.78	2.89	7350	7350	0.0627	0.1
7311ACCBM	-	66	-	109	114	2	1	1.4	101.33	70.35	2.99	7875	11550	0.0234	0.1
-	7212BEP	69	-	101	104	1.5	1	0.8	60.06	47.78	2.03	7350	7350	0.0344	0.095
7212BECBP	-	69	-	101	104	1.5	1	0.8	64.05	52.5	2.23	7350	7875	0.0344	0.095
7212BECBPH	-	69	-	101	104	1.5	1	0.8	64.05	52.5	2.23	7350	7875	0.0344	0.095
7212BECBY	-	69	-	101	104	1.5	1	0.8	64.05	52.5	2.23	7350	7875	0.0344	0.095
7212BECBM	-	69	-	101	104	1.5	1	0.8	64.05	52.5	2.23	7350	9975	0.0344	0.095
7212ACCBM	-	69	-	101	104	1.5	1	0.8	72.98	58.8	2.48	8400	11550	0.0143	0.095
-	7312BEP	72	-	118	123	2	1	1.75	100.38	72.98	3.15	6615	6300	0.0846	0.1
7312BECBP	-	72	-	118	123	2	1	1.75	109.2	80.33	3.36	6615	7035	0.0846	0.1
7312BECBPH	-	72	-	118	123	2	1	1.75	109.2	80.33	3.36	6615	7035	0.0846	0.1
7312BECBY	-	72	-	118	123	2	1	1.75	109.2	80.33	3.36	6615	7035	0.0846	0.1