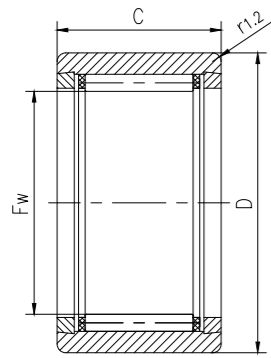


Suffixes of available designs

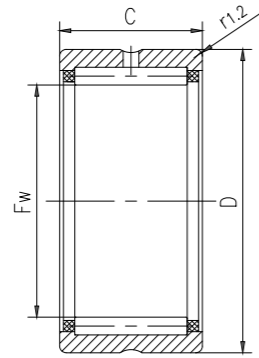
Suffix	Meaning
BF	Needle roller with lat ends
D	Deviating or modified internal design with the same boundary dimensions Example: K 40x45x17 D (Needle roller and cage assembly with a double split cage)
DS	Single split needle roller and cage assembly
EGS	Inner ring with a non-directionally ground raceway
VGS	Inner ring with a pre-ground raceway and a machining allowance
ZW	Double row needle roller and cage assembly (double row cage)
AS..	Outer ring with lubrication hole(s), the number following indicates the number of holes
ASR..	Outer ring with annular groove and lubrication hole(s), the number following indicates the number of holes
IS	Inner ring with lubrication hole(s), the number following indicates the number of holes
ISR..	Inner ring with annular groove and lubrication hole(s), the number following indicates the number of holes
RS..2RS	Contact seal on one or both sides, respectively • NBR or FKM or PUR for a drawn cup needle roller bearing • NBR for a machined needle roller bearing
Z	lubrication holes over the outside diameter
TN	Glass fibre reinforced PA66 cage
ISORT..	Tolerance grade of needle rollers of a needle roller and cage assembly, the numbers following identify the actual limits in μm , e.g. /SORT-2-4
CN	Normal radial internal clearance; only used together with an additional letter that identifies a reduced or displaced clearance range H Reduced clearance range corresponding to the upper half of the actual clearance range L Reduced clearance range corresponding to the lower half of the actual clearance range M Reduced clearance range corresponding to the two middle quarters of the actual clearance range P Displaced clearance range comprising the upper half of the actual clearance range plus the lower half of the next larger clearance range R Normal clearance range in accordance with the withdrawn DIN 620-4 The above letters H, L, M and P are also used together with the clearance classes C2, C3, C4

Suffix	Meaning
C2	Radial internal clearance smaller than Normal
C3	Radial internal clearance greater than Normal
C4	Radial internal clearance greater than C3
G2	Needle roller in accordance with ISO 3096 Grade 2
H..	Bearing without an inner ring and reduced inside diameter (under rollers) tolerance, the numbers following indicate the tolerance limits in μm , e.g. H+27+20
M../M..	Diameter tolerance of needle rollers, e.g. M2/M4 indicates diameter tolerance -2 to $-4 \mu\text{m}$
NM..	Diameter tolerance of needle rollers, e.g. NM2 indicates diameter tolerance 0 to $-2 \mu\text{m}$
P5	Dimensional and geometrical tolerances to class P5
P6	Dimensional and geometrical tolerances to class P6
P62	P6 + C2
P63	P6 + C3
P6CNR	P6 + CNR
..S	Matched bearings for an equal load distribution. The number preceding indicates the number of bearings, e.g. NK 50/25 TN/2S
S0	Bearing or inner ring heat stabilized for operating temperatures $\leq 150 \text{ }^\circ\text{C}$ ($300 \text{ }^\circ\text{F}$)
S1	Bearing or inner ring heat stabilized for operating temperatures $\leq 200 \text{ }^\circ\text{C}$ ($390 \text{ }^\circ\text{F}$)
S2	Bearing or inner ring heat stabilized for operating temperatures $\leq 250 \text{ }^\circ\text{C}$ ($480 \text{ }^\circ\text{F}$)
S3	Bearing or inner ring heat stabilized for operating temperatures $\leq 300 \text{ }^\circ\text{C}$ ($570 \text{ }^\circ\text{F}$)
SM..	Special grease, two numbers following identify the grease
VG052	Single split PES (polyethersulfone) cage

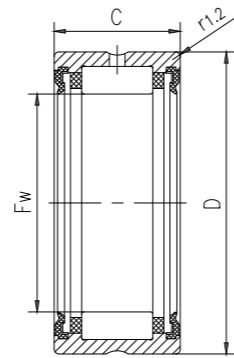
Needle roller bearings with machined rings with langes, without an inner ring



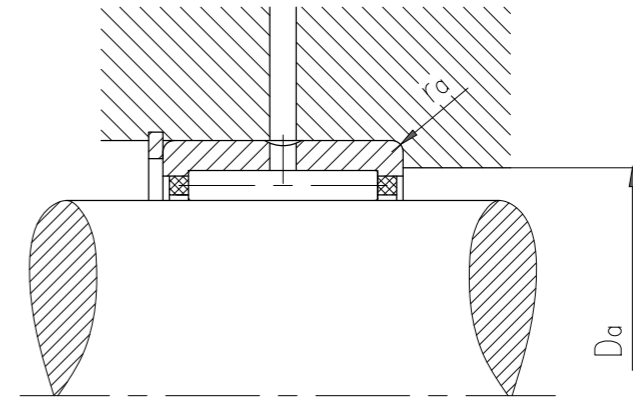
NK(Fw ≤ 10 mm)



NK(Fw ≥ 12 mm) / RNA49 / RNA69



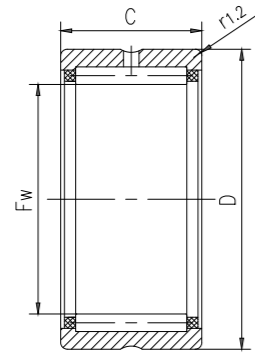
RNA 2RS



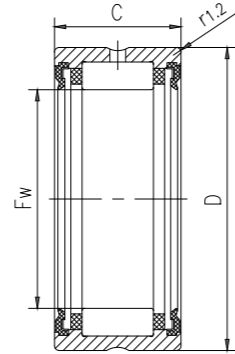
Type	Radial shaft seal			Dimensions						Shoulder and chamfer dimensions	
	Simple lip	Lips	Spring loaded seal lip	F _w	D	C	r _{1,2} min.	D _a max.	r _a max.		
-	-			mm			mm				
NK5/10TN	G5x10x2S	-	-	5	10	10	0.15	8.8	0.1		
NK5/12TN	G5x10x2S	-	-	5	10	12	0.15	8.8	0.1		
NK6/10TN	G6x12x2S	-	-	6	12	10	0.15	10.8	0.1		
NK6/12TN	G6x12x2S	-	-	6	12	12	0.15	10.8	0.1		
NK7/10TN	G7x14x2	-	-	7	14	10	0.3	12	0.3		
NK7/12TN	G7x14x2	-	-	7	14	12	0.3	12	0.3		
NK8/12TN	G8x15x3	SD8x15x3	-	8	15	12	0.3	13	0.3		
NK8/16TN	G8x15x3	SD8x15x3	-	8	15	16	0.3	13	0.3		
NK9/12TN	G9x16x3	-	-	9	16	12	0.3	14	0.3		
NK9/16TN	G9x16x3	-	-	9	16	16	0.3	14	0.3		
NK10/12TN	G10x17x3	SD10x17x3	-	10	17	12	0.3	15	0.3		
NK10/16TN	G10x17x3	SD10x17x3	-	10	17	16	0.3	15	0.3		
NK12/12	G12x19x3	SD12x19x3	-	12	19	12	0.3	17	0.3		
NK12/16	G12x19x3	SD12x19x3	-	12	19	16	0.3	17	0.3		
RNA4900.2RS	-	-	-	14	22	13	0.3	20	0.3		
RNA4900	G14x22x3	SD14x22x3	-	14	22	13	0.3	20	0.3		
NK14/16	G14x22x3	SD14x22x3	-	14	22	16	0.3	20	0.3		
NK14/20	G14x22x3	SD14x22x3	-	14	22	20	0.3	20	0.3		
NK15/16	G15x23x3	SD15x23x3	-	15	23	16	0.3	21	0.3		
NK15/20	G15x23x3	SD15x23x3	-	15	23	20	0.3	21	0.3		
RNA4901.2RS	-	-	-	16	24	13	0.3	22	0.3		
RNA4901	G16x24x3	SD16x24x3	-	16	24	13	0.3	22	0.3		
NK16/16	G16x24x3	SD16x24x3	-	16	24	16	0.3	22	0.3		
NK16/20	G16x24x3	SD16x24x3	-	16	24	20	0.3	22	0.3		
RNA6901	G16x24x3	SD16x24x3	-	16	24	22	0.3	22	0.3		
NK17/16	G17x25x3	SD17x25x3	-	17	25	16	0.3	23	0.3		
NK17/20	G17x25x3	SD17x25x3	-	17	25	20	0.3	23	0.3		
NK18/16	G18x26x4	SD18x26x4	-	18	26	16	0.3	24	0.3		
NK18/20	G18x26x4	SD18x26x4	-	18	26	20	0.3	24	0.3		
NK19/16	G19x27x4	SD19x27x4	-	19	27	16	0.3	25	0.3		
NK19/20	G19x27x4	SD19x27x4	-	19	27	20	0.3	25	0.3		
RNA4902.2RS	-	-	-	20	28	13	0.3	26	0.3		
RNA4902	G20x28x4	SD20x28x4	-	20	28	13	0.3	26	0.3		
NK20/16	G20x28x4	SD20x28x4	-	20	28	16	0.3	26	0.3		
NK20/20	G20x28x4	SD20x28x4	-	20	28	20	0.3	26	0.3		
RNA6902	G20x28x4	SD20x28x4	-	20	28	23	0.3	26	0.3		
NKS20	-	-	20x32x7HMS5RG	20	32	20	0.6	28	0.6		

Type	Radial shaft seal			Weight	Basic load rating		Fatigue load limit P _u	Rated speed	
	Simple lip	Lips	Spring loaded seal lip		Dynamic C	Static C ₀		reference speed	Maximum speed
-	-			kg	kN		kN	r/min	
NK5/10TN	G5x10x2S	-	-	0.0031	2.4045	2.1	0.2226	37800	42000
NK5/12TN	G5x10x2S	-	-	0.0037	3.066	2.835	0.3045	37800	42000
NK6/10TN	G6x12x2S	-	-	0.0047	2.6775	2.478	0.2625	35700	39900
NK6/12TN	G6x12x2S	-	-	0.0057	3.465	3.36	0.36225	35700	39900
NK7/10TN	G7x14x2	-	-	0.0069	2.9505	2.8875	0.3045	33600	37800
NK7/12TN	G7x14x2	-	-	0.0082	3.759	3.9375	0.43575	33600	37800
NK8/12TN	G8x15x3	SD8x15x3	-	0.0087	3.99	4.4625	0.48825	33600	37800
NK8/16TN	G8x15x3	SD8x15x3	-	0.012	5.2605	6.1425	0.7035	33600	37800
NK9/12TN	G9x16x3	-	-	0.01	4.62	5.46	0.5985	31500	35700
NK9/16TN	G9x16x3	-	-	0.013	6.006	7.56	0.85575	31500	35700
NK10/12TN	G10x17x3	SD10x17x3	-	0.01	4.7985	5.985	0.6615	29400	33600
NK10/16TN	G10x17x3	SD10x17x3	-	0.013	6.237	8.4	0.945	29400	33600
NK12/12	G12x19x3	SD12x19x3	-	0.012	7.0455	8.5575	1.01325	27300	31500
NK12/16	G12x19x3	SD12x19x3	-	0.016	9.5865	12.6	1.5015	27300	31500
RNA4900.2RS	-	-	-	0.016	7.7385	8.5575	1.01325	-	12600
RNA4900	G14x22x3	SD14x22x3	-	0.017	9.24	10.92	1.281	25200	29400
NK14/16	G14x22x3	SD14x22x3	-	0.021	10.71	13.125	1.575	25200	29400
NK14/20	G14x22x3	SD14x22x3	-	0.026	13.44	17.43	2.1	25200	29400
NK15/16	G15x23x3	SD15x23x3	-	0.022	11.55	14.7	1.743	25200	27300
NK15/20	G15x23x3	SD15x23x3	-	0.027	14.49	19.215	2.31	25200	27300
RNA4901.2RS	-	-	-	0.018	8.4945	10.1325	1.197	-	11550
RNA4901	G16x24x3	SD16x24x3	-	0.017	10.395	12.81	1.533	23100	27300
NK16/16	G16x24x3	SD16x24x3	-	0.022	12.285	16.065	1.89	23100	27300
NK16/20	G16x24x3	SD16x24x3	-	0.028	15.225	21	2.52	23100	27300
RNA6901	G16x24x3	SD16x24x3	-	0.031	16.905	24.36	2.8875	23100	27300
NK17/16	G17x25x3	SD17x25x3	-	0.024	12.705	17.43	2.058	23100	27300
NK17/20	G17x25x3	SD17x25x3	-	0.03	15.855	23.1	2.7825	23100	27300
NK18/16	G18x26x4	SD18x26x4	-	0.025	13.44	18.48	2.226	23100	25200
NK18/20	G18x26x4	SD18x26x4	-	0.031	16.905	24.78	2.9925	23100	25200
NK19/16	G19x27x4	SD19x27x4	-	0.026	14.07	19.95	2.394	21000	25200
NK19/20	G19x27x4	SD19x27x4	-	0.032	17.325	26.775	3.2025	21000	25200
RNA4902.2RS	-	-	-	0.022	9.5865	12.6	1.5015	-	9975
RNA4902	G20x28x4	SD20x28x4	-	0.022	11.76	16.065	1.9215	19950	23100
NK20/16	G20x28x4	SD20x28x4	-	0.027	13.86	20.265	2.394	19950	23100
NK20/20	G20x28x4	SD20x28x4	-	0.034	17.325	26.775	3.2025	19950	23100
RNA6902	G20x28x4	SD20x28x4	-	0.04	18.06	28.35	3.5175	19950	23100
NKS20	-	-	20x32x7HMS5RG	0.049	24.465	28.35	3.4125	18900	21000

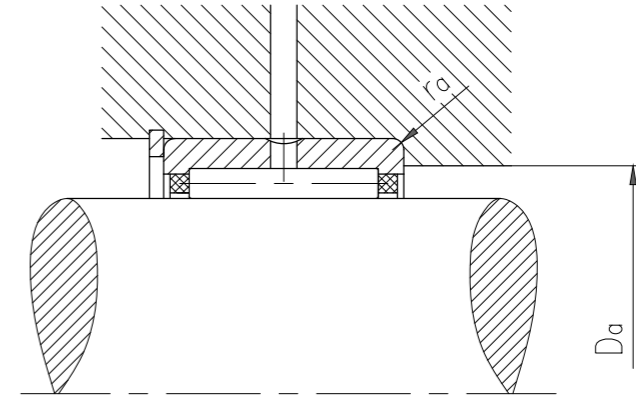
Needle roller bearings with machined rings with langes, without an inner ring



NK(Fw ≥ 12 mm) / RNA49 / RNA69



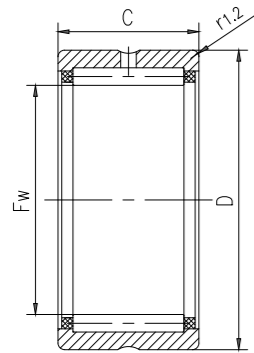
RNA 2RS



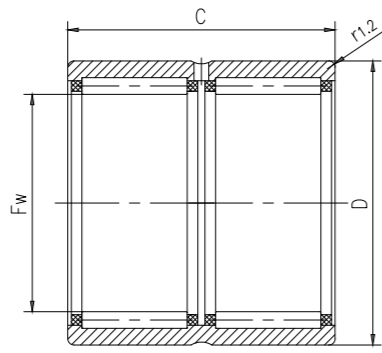
Type	Radial shaft seal			Dimensions				Shoulder and chamfer dimensions	
	Simple lip	Lips	Spring loaded seal lip	F _w	D	C	r _{1,2} min.	D _a max.	r _a max.
-	-			mm				mm	
NK21/16	G21x29x4	-	-	21	29	16	0.3	27	0.3
NK21/20	G21x29x4	-	-	21	29	20	0.3	27	0.3
RNA4903.2RS	-	-	-	22	30	13	0.3	28	0.3
RNA4903	G22x30x4	SD22x30x4	-	22	30	13	0.3	28	0.3
NK22/16	G22x30x4	SD22x30x4	-	22	30	16	0.3	28	0.3
NK22/20	G22x30x4	SD22x30x4	-	22	30	20	0.3	28	0.3
RNA6903	G22x30x4	SD22x30x4	-	22	30	23	0.3	28	0.3
NK24/16	G24x32x4	SD24x32x4	-	24	32	16	0.3	30	0.3
NK24/20	G24x32x4	SD24x32x4	-	24	32	20	0.3	30	0.3
NKS24	-	-	24x37x7HMS5RG	24	37	20	0.6	33	0.6
NK25/16	G25x33x4	SD25x33x4	-	25	33	16	0.3	31	0.3
NK25/20	G25x33x4	SD25x33x4	-	25	33	20	0.3	31	0.3
RNA4904.2RS	-	-	-	25	37	17	0.3	35	0.3
RNA4904	-	-	25x37x5HMS5RG	25	37	17	0.3	35	0.3
RNA6904	-	-	25x37x5HMS5RG	25	37	30	0.3	35	0.3
NKS25	-	-	25x38x7HMS5RG	25	38	20	0.6	34	0.6
NK26/16	G26x34x4	SD26x34x4	-	26	34	16	0.3	32	0.3
NK26/20	G26x34x4	SD26x34x4	-	26	34	20	0.3	32	0.3
NK28/20	G28x37x4	-	-	28	37	20	0.3	35	0.3
NK28/30	G28x37x4	-	-	28	37	30	0.3	35	0.3
RNA49/22	-	-	-	28	39	17	0.3	37	0.3
RNA69/22	-	-	-	28	39	30	0.3	37	0.3
NKS28	-	-	28x42x7HMS5RG	28	42	20	0.6	38	0.6
NK29/20TN	G29x38x4	-	-	29	38	20	0.3	36	0.3
NK29/30	G29x38x4	-	-	30	38	30	0.3	36	0.3
NK30/20TN	G30x40x4	SD30x40x4	-	30	40	20	0.3	38	0.3
NK30/30TN	G30x40x4	SD30x40x4	-	30	40	30	0.3	38	0.3
RNA4905.2RS	-	-	-	30	42	17	0.3	40	0.3
RNA4905	-	-	30x42x6HMS5RG	30	42	17	0.3	40	0.3
RNA6905	-	-	30x42x6HMS5RG	30	42	30	0.3	40	0.3
NKS30	-	-	30x45x7HMS5RG	30	45	22	0.6	41	0.6
NK32/20TN	G32x42x4	SD32x42x4	-	32	42	20	0.3	40	0.3
NK32/30	G32x42x4	SD32x42x4	-	32	42	30	0.3	40	0.3
RNA49/28	G32x45x4	-	-	32	45	17	0.3	43	0.3
RNA69/28	G32x45x4	-	-	32	45	30	0.3	43	0.3
NKS32	-	-	32x47x6HMS5RG	32	47	22	0.6	43	0.6
NK35/20TN	G35x45x4	SD35x45x4	-	35	45	20	0.3	43	0.3

Type	Radial shaft seal			Weight	Basic load rating		Fatigue load limit P _u	Rated speed	
	Simple lip	Lips	Spring loaded seal lip		Dynamic C	Static C ₀		reference speed	Maximum speed
-	-			kg	kN		kN	r/min	
NK21/16	G21x29x4	-	-	0.028	14.49	21.42	2.5725	19950	23100
NK21/20	G21x29x4	-	-	0.035	18.06	28.35	3.5175	19950	23100
RNA4903.2RS	-	-	-	0.023	9.996	13.545	1.6065	-	9450
RNA4903	G22x30x4	SD22x30x4	-	0.022	11.97	17.115	2.058	18900	21000
NK22/16	G22x30x4	SD22x30x4	-	0.03	14.91	22.68	2.73	18900	21000
NK22/20	G22x30x4	SD22x30x4	-	0.037	18.795	30.45	3.7275	18900	21000
RNA6903	G22x30x4	SD22x30x4	-	0.042	19.635	32.025	3.9375	18900	21000
NK24/16	G24x32x4	SD24x32x4	-	0.032	16.17	25.725	3.045	16800	19950
NK24/20	G24x32x4	SD24x32x4	-	0.04	19.95	34.125	4.2	16800	19950
NKS24	-	-	24x37x7HMS5RG	0.066	27.3	35.175	4.2	15750	17850
NK25/16	G25x33x4	SD25x33x4	-	0.033	15.855	25.725	3.045	16800	18900
NK25/20	G25x33x4	SD25x33x4	-	0.042	19.95	34.125	4.2	16800	18900
RNA4904.2RS	-	-	-	0.056	20.37	23.52	2.7825	-	7875
RNA4904	-	-	25x37x5HMS5RG	0.052	22.68	29.4	3.5175	15750	17850
RNA6904	-	-	25x37x5HMS5RG	0.1	36.96	55.65	6.8775	15750	17850
NKS25	-	-	25x38x7HMS5RG	0.068	28.875	37.8	4.62	15750	17850
NK26/16	G26x34x4	SD26x34x4	-	0.034	16.485	27.3	3.255	15750	17850
NK26/20	G26x34x4	SD26x34x4	-	0.042	20.37	36.225	4.4625	15750	17850
NK28/20	G28x37x4	-	-	0.052	23.1	38.325	4.7775	14700	16800
NK28/30	G28x37x4	-	-	0.082	33.495	63	7.875	14700	16800
RNA49/22	-	-	-	0.05	24.465	33.6	4.095	14700	15750
RNA69/22	-	-	-	0.098	38.745	59.85	7.56	14700	15750
NKS28	-	-	28x42x7HMS5RG	0.084	30.03	40.95	4.9875	13650	15750
NK29/20TN	G29x38x4	-	-	0.05	25.83	44.625	5.46	14700	15750
NK29/30	G29x38x4	-	-	0.084	33.495	63	7.875	14700	15750
NK30/20TN	G30x40x4	SD30x40x4	-	0.061	26.355	46.2	5.775	13650	15750
NK30/30TN	G30x40x4	SD30x40x4	-	0.092	38.745	75.6	9.45	13650	15750
RNA4905.2RS	-	-	-	0.06	22.68	28.875	3.4125	-	6615
RNA4905	-	-	30x42x6HMS5RG	0.061	25.41	36.225	4.3575	13650	15750
RNA6905	-	-	30x42x6HMS5RG	0.11	39.9	65.1	8.0325	13650	15750
NKS30	-	-	30x45x7HMS5RG	0.1	33.495	45.15	5.565	12600	14700
NK32/20TN	G32x42x4	SD32x42x4	-	0.064	27.72	50.4	6.3	12600	14700
NK32/30	G32x42x4	SD32x42x4	-	0.1	35.805	68.775	8.715	12600	14700
RNA49/28	G32x45x4	-	-	0.073	26.355	38.325	4.62	12600	14700
RNA69/28	G32x45x4	-	-	0.14	41.58	68.775	8.715	12600	14700
NKS32	-	-	32x47x6HMS5RG	0.11	35.805	48.825	5.985	12600	13650
NK35/20TN	G35x45x4	SD35x45x4	-	0.069	28.875	54.6	6.8775	11550	13650

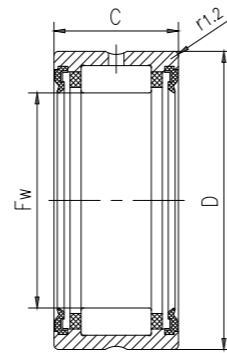
Needle roller bearings with machined rings with langes, without an inner ring



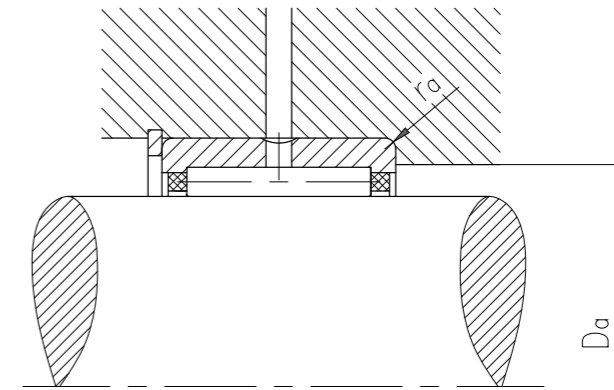
NK / RNA49



RNA 69



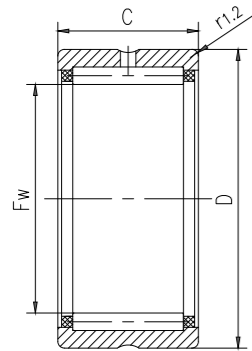
RNA 2RS



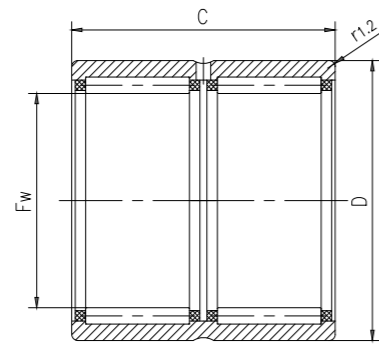
Type	Radial shaft seal			Dimensions					Shoulder and chamfer dimensions	
	Simple lip	Lips	Spring loaded seal lip	F _w	D	C	r _{1,2} min.	D _a max.	r _a max.	
-	-			mm					mm	
NK35/30TN	G35x45x4	SD35x45x4	-	35	45	30	0.3	43	0.3	
RNA4906.2RS	-	-	-	35	47	17	0.3	45	0.3	
RNA4906	-	-	35x47x6HMS5RG	35	47	17	0.3	45	0.3	
RNA6906	-	-	35x47x6HMS5RG	35	47	30	0.3	45	0.3	
NKS35	-	-	35x50x7HMS5RG	35	50	22	0.6	46	0.6	
NK37/20	G37x47x4	SD37x47x4	-	37	47	20	0.3	45	0.3	
NK37/30	G37x47x4	SD37x47x4	-	37	47	30	0.3	45	0.3	
NKS37	-	-	37x52x8HMS4R	37	52	22	0.6	48	0.6	
NK38/20	G38x48x4	SD38x48x4	-	38	48	20	0.3	46	0.3	
NK38/30	G38x48x4	SD38x48x4	-	38	48	30	0.3	46	0.3	
NK40/20TN	G40x50x4	SD40x50x4	-	40	50	20	0.3	48	0.3	
NK40/30	G40x50x4	SD40x50x4	-	40	50	30	0.3	48	0.3	
RNA49/32	G40x52x5	SD40x52x5	-	40	52	20	0.6	48	0.6	
RNA69/32	G40x52x5	SD40x52x5	-	40	52	36	0.6	48	0.6	
NKS40	-	-	40x55x7HMS5RG	40	55	22	0.6	51	0.6	
NK42/20	G42x52x4	SD42x52x4	-	42	52	20	0.3	50	0.3	
NK42/30	G42x52x4	SD42x52x4	-	42	52	30	0.3	50	0.3	
RNA4907.2RS	-	-	-	42	55	20	0.6	51	0.6	
RNA4907	-	-	42x55x7HMS5RG	42	55	20	0.6	51	0.6	
RNA6907	-	-	42x55x7HMS5RG	42	55	36	0.6	51	0.6	
NK43/20	G43x53x4	-	-	43	53	20	0.3	51	0.3	
NK43/30	G43x53x4	-	-	43	53	30	0.3	51	0.3	
NKS43	-	-	-	43	58	22	0.6	53	0.6	
NK45/20TN	G45x55x4	SD45x55x4	-	45	55	20	0.3	53	0.3	
NK45/30TN	G45x55x4	SD45x55x4	-	45	55	30	0.3	53	0.3	
NKS45	-	-	45x60x7HMS5RG	45	60	22	0.6	56	0.6	
NK47/20	-	-	-	47	57	20	0.3	55	0.3	
NK47/30	-	-	-	47	57	30	0.3	55	0.3	
RNA4908.2RS	-	-	-	48	62	22	0.6	58	0.6	
RNA4908	-	-	48x62x8HMS5RG	48	62	22	0.6	58	0.6	
RNA6908	-	-	48x62x8HMS5RG	48	62	40	0.6	58	0.6	
NK50/25TN	G50x62x5	SD50x62x5	-	50	62	25	0.6	58	0.6	
NK50/35TN	G50x62x5	SD50x62x5	-	50	62	35	0.6	58	0.6	
NKS50	-	-	50x65x8HMS5RG	50	65	22	1	60	1	
RNA4909.2RS	-	-	-	52	68	22	0.6	64	0.6	
RNA4909	-	-	52x68x8HMS5RG	52	68	22	0.6	64	0.6	
RNA6909	-	-	52x68x8HMS5RG	52	68	40	0.6	64	0.6	

Type	Radial shaft seal			Weight	Basic load rating		Fatigue load limit P _u	Rated speed	
	Simple lip	Lips	Spring loaded seal lip		Dynamic C	Static C ₀		reference speed	Maximum speed
-	-			kg	kN		kN	r/min	
NK35/30TN	G35x45x4	SD35x45x4	-	0.11	42.21	89.25	11.13	11550	13650
RNA4906.2RS	-	-	-	0.069	24.465	33.6	3.99	-	5880
RNA4906	-	-	35x47x6HMS5RG	0.069	26.775	40.95	4.8825	11550	13650
RNA6906	-	-	35x47x6HMS5RG	0.13	45.045	78.75	9.765	11550	13650
NKS35	-	-	35x50x7HMS5RG	0.12	36.96	52.5	6.51	11550	12600
NK37/20	G37x47x4	SD37x47x4	-	0.077	26.355	48.825	6.1425	11550	12600
NK37/30	G37x47x4	SD37x47x4	-	0.11	38.745	80.325	9.975	11550	12600
NKS37	-	-	37x52x8HMS4R	0.12	38.745	56.7	6.8775	10500	12600
NK38/20	G38x48x4	SD38x48x4	-	0.079	26.775	51.45	6.405	11550	12600
NK38/30	G38x48x4	SD38x48x4	-	0.12	39.27	84	10.5	11550	12600
NK40/20TN	G40x50x4	SD40x50x4	-	0.078	31.185	63	7.875	10500	11550
NK40/30	G40x50x4	SD40x50x4	-	0.13	39.9	87.15	10.92	10500	11550
RNA49/32	G40x52x5	SD40x52x5	-	0.089	32.34	53.55	6.615	10500	11550
RNA69/32	G40x52x5	SD40x52x5	-	0.16	49.665	94.5	11.34	10500	11550
NKS40	-	-	40x55x7HMS5RG	0.13	39.9	59.85	7.455	9975	11550
NK42/20	G42x52x4	SD42x52x4	-	0.086	28.35	55.65	6.8775	9975	11550
NK42/30	G42x52x4	SD42x52x4	-	0.13	41.055	90.825	11.34	9975	11550
RNA4907.2RS	-	-	-	0.11	28.35	45.15	5.565	-	5040
RNA4907	-	-	42x55x7HMS5RG	0.11	33.495	56.7	7.035	9975	11550
RNA6907	-	-	42x55x7HMS5RG	0.19	50.82	97.65	11.97	9975	11550
NK43/20	G43x53x4	-	-	0.086	28.875	57.75	7.14	9975	11550
NK43/30	G43x53x4	-	-	0.13	42.21	94.5	11.76	9975	11550
NKS43	-	-	-	0.14	41.055	64.05	7.875	9450	10500
NK45/20TN	G45x55x4	SD45x55x4	-	0.085	32.97	68.775	8.715	9450	10500
NK45/30TN	G45x55x4	SD45x55x4	-	0.13	47.985	113.4	14.385	9450	10500
NKS45	-	-	45x60x7HMS5RG	0.15	42.21	67.2	8.4	8925	10500
NK47/20	-	-	-	0.095	30.66	64.05	8.0325	8925	10500
NK47/30	-	-	-	0.14	43.89	102.9	13.125	8925	10500
RNA4908.2RS	-	-	-	0.15	38.745	61.425	7.455	-	4200
RNA4908	-	-	48x62x8HMS5RG	0.14	45.045	74.55	9.24	8400	9975
RNA6908	-	-	48x62x8HMS5RG	0.26	70.455	131.25	16.065	8400	9975
NK50/25TN	G50x62x5	SD50x62x5	-	0.15	45.045	96.075	11.76	8400	9450
NK50/35TN	G50x62x5	SD50x62x5	-	0.21	61.215	143.85	17.85	8400	9450
NKS50	-	-	50x65x8HMS5RG	0.16	45.045	75.6	9.24	8400	9450
RNA4909.2RS	-	-	-	0.16	41.055	67.2	8.19	-	3990
RNA4909	-	-	52x68x8HMS5RG	0.18	47.985	81.9	10.1325	7875	8925
RNA6909	-	-	52x68x8HMS5RG	0.34	73.92	143.85	17.85	7875	8925

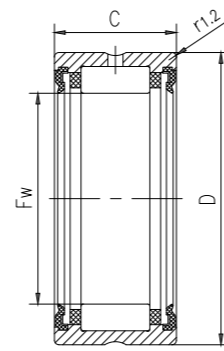
Needle roller bearings with machined rings with langes, without an inner ring



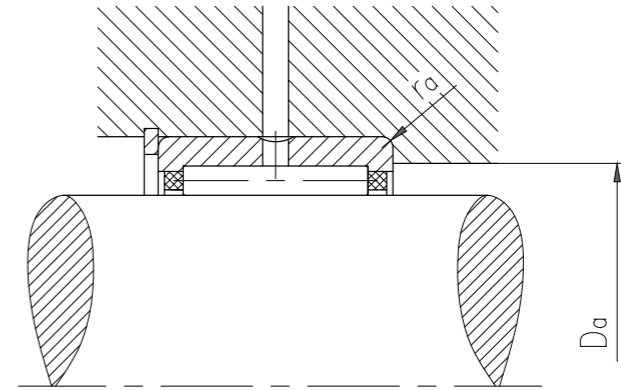
NK



RNA 69



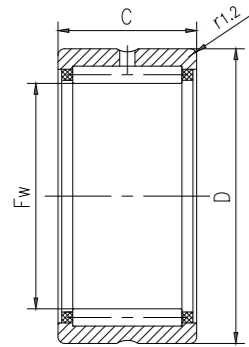
RNA 2RS



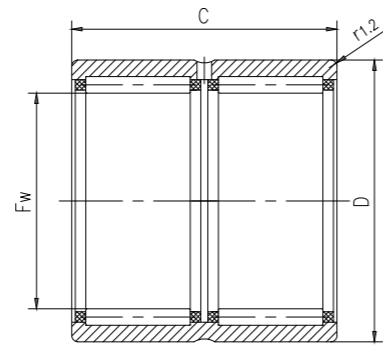
Type	Radial shaft seal			Dimensions				Shoulder and chamfer dimensions	
	Simple lip	Lips	Spring loaded seal lip	F _w	D	C	r _{1,2} min.	D _a max.	r _a max.
-	-	-	-	mm			mm		
NK55/25	-	-	55x68x8HMS5RG	55	68	25	0.6	64	0.6
NK55/35	-	-	55x68x8HMS5RG	55	68	35	0.6	64	0.6
NKS55	-	-	55x72x8HMS5RG	55	72	22	1	67	1
RNA4910.2RS	-	-	-	58	72	22	0.6	68	0.6
RNA4910	-	-	58x72x8HMS5RG	58	72	22	0.6	68	0.6
RNA6910	-	-	58x72x8HMS5RG	58	72	40	0.6	68	0.6
NK60/25TN	-	-	60x72x8HMS5RG	60	72	25	0.6	68	0.6
NK60/35	-	-	60x72x8HMS5RG	60	72	35	0.6	68	0.6
NKS60	-	-	60x80x8HMS5RG	60	80	28	1.1	73.5	1
RNA4911	-	-	63x80x8CRW1R	63	80	25	1	75	1
RNA6911	-	-	63x80x8CRW1R	63	80	45	1	75	1
NK65/25	-	-	-	65	78	25	0.6	74	0.6
NK65/35	-	-	-	65	78	35	0.6	74	0.6
NKS65	-	-	65x85x8HMS5RG	65	85	28	1.1	78.5	1
NK68/25	-	-	-	68	82	25	0.6	78	0.6
NK68/35	-	-	-	68	82	35	0.6	78	0.6
RNA4912	-	-	-	68	85	25	1	80	1
RNA6912	-	-	68x85x8CRW1R	68	85	45	1	80	1
NK70/25	-	-	70x85x8HMS5RG	70	85	25	0.6	81	0.6
NK70/35	-	-	70x85x8HMS5RG	70	85	35	0.6	81	0.6
NKS70	-	-	70x90x10HMS5RG	70	90	28	1.1	83.5	1
RNA 4913	-	-	72x90x10HMS5RG	72	90	25	1	85	1
RNA 6913	-	-	72x90x10HMS5RG	72	90	45	1	85	1
NK73/25	-	-	-	73	90	25	1	85	1
NK73/35	-	-	-	73	90	35	1	85	1
NK75/25	-	-	73x92x11.1CRWH1R	75	92	25	1	87	1
NK75/35	-	-	73x92x11.1CRWH1R	75	92	35	1	87	1
NKS75	-	-	75x95x10HMS5RG	75	95	28	1.1	88.5	1
NK80/25	-	-	80x95x10HMS5RG	80	95	25	1	90	1
NK80/35	-	-	80x95x10HMS5RG	80	95	35	1	90	1
RNA4914	-	-	80x100x10HMS5RG	80	100	30	1	95	1
RNA6914	-	-	80x100x10HMS5RG	80	100	54	1	95	1
NK85/25	-	-	85x105x12HMS5RG	85	105	25	1	100	1
RNA4915	-	-	85x105x12HMS5RG	85	105	30	1	100	1
NK85/35	-	-	85x105x12HMS5RG	85	105	35	1	100	1
RNA6915	-	-	85x105x12HMS5RG	85	105	54	1	100	1
NK90/25	-	-	90x110x10HMS5RG	90	110	25	1	105	1

Type	Radial shaft seal			Weight	Basic load rating		Fatigue load limit P _u	Rated speed	
	Simple lip	Lips	Spring loaded seal lip		Dynamic C	Static C ₀		reference speed	Maximum speed
-	-	-	-	kg	kN		kN	r/min	
NK55/25	-	-	55x68x8HMS5RG	0.18	42.21	92.4	11.34	7875	8925
NK55/35	-	-	55x68x8HMS5RG	0.25	54.915	128.1	16.065	7875	8925
NKS55	-	-	55x72x8HMS5RG	0.22	46.83	81.9	10.29	7350	8400
RNA4910.2RS	-	-	-	0.16	42.21	72.975	8.925	-	3570
RNA4910	-	-	58x72x8HMS5RG	0.16	49.665	89.25	11.13	7350	8400
RNA6910	-	-	58x72x8HMS5RG	0.31	77.385	157.5	19.53	7350	8400
NK60/25TN	-	-	60x72x8HMS5RG	0.17	49.14	115.5	14.07	7035	7875
NK60/35	-	-	60x72x8HMS5RG	0.26	57.75	140.7	17.85	7035	7875
NKS60	-	-	60x80x8HMS5RG	0.34	65.835	109.2	13.86	6615	7875
RNA4911	-	-	63x80x8CRW1R	0.26	60.06	111.3	13.86	6615	7350
RNA6911	-	-	63x80x8CRW1R	0.47	94.185	199.5	24.36	6615	7350
NK65/25	-	-	-	0.22	46.2	109.2	13.335	6615	7350
NK65/35	-	-	-	0.31	61.215	153.3	19.215	6615	7350
NKS65	-	-	65x85x8HMS5RG	0.36	69.3	119.7	15.33	6300	7035
NK68/25	-	-	-	0.24	46.2	99.75	12.39	6300	7035
NK68/35	-	-	-	0.34	63.525	153.3	19.215	6300	7035
RNA4912	-	-	-	0.28	63.525	119.7	15.015	6300	7035
RNA6912	-	-	68x85x8CRW1R	0.49	98.175	214.2	26.25	6300	7035
NK70/25	-	-	70x85x8HMS5RG	0.26	46.83	102.9	12.81	6300	7035
NK70/35	-	-	70x85x8HMS5RG	0.37	64.68	157.5	19.95	6300	7035
NKS70	-	-	70x90x10HMS5RG	0.38	71.61	126	16.065	5880	6615
RNA 4913	-	-	72x90x10HMS5RG	0.31	64.68	126	15.33	5880	6615
RNA 6913	-	-	72x90x10HMS5RG	0.58	99.96	222.6	27.3	5880	6615
NK73/25	-	-	-	0.3	55.44	111.3	13.86	5880	6615
NK73/35	-	-	-	0.43	77.385	171.15	21.42	5880	6615
NK75/25	-	-	73x92x11.1CRWH1R	0.32	56.595	115.5	14.385	5565	6300
NK75/35	-	-	73x92x11.1CRWH1R	0.45	78.54	178.5	22.26	5565	6300
NKS75	-	-	75x95x10HMS5RG	0.4	73.92	138.6	17.43	5565	6300
NK80/25	-	-	80x95x10HMS5RG	0.3	58.905	133.35	16.38	5250	5880
NK80/35	-	-	80x95x10HMS5RG	0.43	80.325	199.5	25.2	5250	5880
RNA4916	-	-	80x100x10HMS5RG	0.46	88.41	171.15	21.84	5250	5880
RNA6916	-	-	80x100x10HMS5RG	0.86	134.4	299.25	37.8	5250	5880
NK85/25	-	-	85x105x12HMS5RG	0.43	72.765	138.6	17.43	5040	5565
RNA4915	-	-	85x105x12HMS5RG	0.49	88.41	178.5	22.68	5040	5565
NK85/35	-	-	85x105x12HMS5RG	0.6	101.64	210	27.3	5040	5565
RNA6915	-	-	85x105x12HMS5RG	0.94	136.5	304.5	39.375	5040	5565
NK90/25	-	-	90x110x10HMS5RG	0.45	75.705	147	18.9	4725	5250

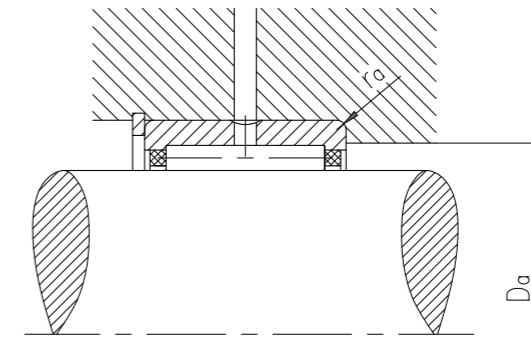
Needle roller bearings with machined rings with langes, without an inner ring



NK / RNA49



RNA 69



Type	Radial shaft seal			Dimensions				Shoulder and chamfer dimensions	
	Simple lip	Lips	Spring loaded seal lip	F _w	D	C	r _{1,2} min.	D _a max.	r _a max.
-	-			mm				mm	
RNA4916	-	-	90x110x10HMS5RG	90	110	30	1	105	1
NK90/35	-	-	90x110x10HMS5RG	90	110	35	1	105	1
RNA6916	-	-	90x110x10HMS5RG	90	110	54	1	105	1
NK95/26	-	-	95x115x12HMS5RG	95	115	26	1	110	1
NK95/36	-	-	95x115x12HMS5RG	95	115	36	1	110	1
NK100/26	-	-	100x120x10HMS5RG	100	120	26	1	115	1
RNA4917	-	-	100x120x10HMS5RG	100	120	35	1.1	113.5	1
NK100/36	-	-	100x120x10HMS5RG	100	120	36	1	115	1
RNA6917	-	-	100x120x10HMS5RG	100	120	63	1.1	113.5	1
NK105/26	-	-	105x125x13HMS4R	105	125	26	1	120	1
RNA4918	-	-	105x125x13HMS4R	105	125	35	1.1	118.5	1
NK105/36	-	-	105x125x13HMS4R	105	125	36	1	120	1
RNA6918	-	-	105x125x13HMS4R	105	125	63	1.1	118.5	1
NK110/30	-	-	110x130x12HMS5RG	110	130	30	1.1	123.5	1
RNA4919	-	-	110x130x12HMS5RG	110	130	35	1.1	123.5	1
NK110/40	-	-	110x130x12HMS5RG	110	130	40	1.1	123.5	1
RNA6919	-	-	110x130x12HMS5RG	110	130	63	1.1	123.5	1
RNA4920	-	-	115x140x12HMS5RG	115	140	40	1.1	133.5	1
RNA4822	-	-	120x140x12HMS5RG	120	140	30	1	135	1
RNA4922	-	-	125x150x12HMS5RG	125	150	40	1.1	143.5	1
RNA4824	-	-	130x150x10CRSA1R	130	150	30	1	145	1
RNA4924	-	-	135x165x14HMSA7R	135	165	45	1.1	158.5	1
RNA4826	-	-	-	145	165	35	1.1	158.5	1
RNA4926	-	-	150x180x12HMS5RG	150	180	50	1.5	172	1.5
RNA4828	-	-	-	155	175	35	1.1	168.5	1
RNA4928	-	-	160x190x15HMS5RG	160	190	50	1.5	182	1.5
RNA4830	-	-	165x190x15HMS5RG	165	190	40	1.1	183.5	1
RNA4832	-	-	175x200x15HMS5RG	175	200	40	1.1	193.5	1
RNA4834	-	-	185x215x15HMS42R	185	215	45	1.1	208.5	1
RNA4836	-	-	-	195	225	45	1.1	218.5	1
RNA4838	-	-	210x240x15HMS5RG	210	240	50	1.5	232	1.5
RNA4840	-	-	220x250x15HMS5RG	220	250	50	1.5	242	1.5
RNA4844	-	-	240x270x15HMS5RG	240	270	50	1.5	262	1.5
RNA4848	-	-	Availableonrequest	265	300	60	2	291	2
RNA4852	-	-	285x320x16HDS2R	285	320	60	2	311	2
RNA4856	-	-	Availableonrequest	305	350	69	2	341	2
RNA4860	-	-	Availableonrequest	330	380	80	2.1	369	2

Type	Radial shaft seal			Weight	Basic load rating		Fatigue load limit P _u	Rated speed	
	Simple lip	Lips	Spring loaded seal lip		Dynamic C	Static C ₀		reference speed	Maximum speed
-	-			kg	kN		kN	r/min	
RNA4916	-	-	90x110x10HMS5RG	0.52	92.4	192.15	24.36	4725	5250
NK90/35	-	-	90x110x10HMS5RG	0.63	106.05	226.8	29.4	4725	5250
RNA6916	-	-	90x110x10HMS5RG	0.99	140.7	330.75	42	4725	5250
NK95/26	-	-	95x115x12HMS5RG	0.49	77.385	153.3	19.53	4515	5040
NK95/36	-	-	95x115x12HMS5RG	0.68	110.25	243.6	31.5	4515	5040
NK100/26	-	-	100x120x10HMS5RG	0.52	80.325	163.8	20.58	4200	4725
RNA4917	-	-	100x120x10HMS5RG	0.66	113.4	262.5	32.55	4200	4725
NK100/36	-	-	100x120x10HMS5RG	0.72	113.4	262.5	32.55	4200	4725
RNA6917	-	-	100x120x10HMS5RG	1.2	173.25	446.25	55.65	4200	4725
NK105/26	-	-	105x125x13HMS4R	0.54	82.005	174.3	21.42	3990	4515
RNA4918	-	-	105x125x13HMS4R	0.75	117.6	278.25	34.125	3990	4515
NK105/36	-	-	105x125x13HMS4R	0.71	117.6	278.25	34.125	3990	4515
RNA6918	-	-	105x125x13HMS4R	1.35	180.6	472.5	57.75	3990	4515
NK110/30	-	-	110x130x12HMS5RG	0.65	101.64	231	28.35	3780	4200
RNA4919	-	-	110x130x12HMS5RG	0.72	119.7	283.5	35.175	3780	4200
NK110/40	-	-	110x130x12HMS5RG	0.83	129.15	320.25	39.375	3780	4200
RNA6919	-	-	110x130x12HMS5RG	1.45	180.6	488.25	58.8	3780	4200
RNA4920	-	-	115x140x12HMS5RG	1.15	131.25	294	35.7	3570	4200
RNA4822	-	-	120x140x12HMS5RG	0.66	98.175	243.6	28.35	3570	3990
RNA4922	-	-	125x150x12HMS5RG	1.25	136.5	315	37.275	3360	3780
RNA4824	-	-	130x150x10CRSA1R	0.73	103.95	267.75	30.45	3360	3780
RNA4924	-	-	135x165x14HMSA7R	1.85	184.8	425.25	51.45	3150	3570
RNA4826	-	-	-	0.99	124.95	341.25	38.325	2940	3360
RNA4926	-	-	150x180x12HMS5RG	2.2	207.9	504	59.85	2730	3150
RNA4828	-	-	-	0.97	127.05	362.25	39.375	2730	3150
RNA4928	-	-	160x190x15HMS5RG	2.35	215.25	535.5	63	2520	2940
RNA4830	-	-	165x190x15HMS5RG	1.6	154.35	435.75	48.825	2520	2940
RNA4832	-	-	175x200x15HMS5RG	1.7	164.85	472.5	51.45	2310	2730
RNA4834	-	-	185x215x15HMS42R	2.55	187.95	546	58.8	2310	2520
RNA4836	-	-	-	2.7	199.5	598.5	63	2100	2520
RNA4838	-	-	210x240x15HMS5RG	3.2	231	745.5	77.175	1995	2310
RNA4840	-	-	220x250x15HMS5RG	3.35	235.2	771.75	78.75	1890	2100
RNA4844	-	-	240x270x15HMS5RG	3.6	249.9	855.75	85.575	1785	1995
RNA4848	-	-	Availableonrequest	5.4	364.35	1176	117.6	1575	1785
RNA4852	-	-	285x320x16HDS2R	5.8	375.9	1260	123.9	1470	1575
RNA4856	-	-	Availableonrequest	9.3	450.45	1386	135.45	1365	1470
RNA4860	-	-	Availableonrequest	12.5	623.7	1890	181.65	1155	1365