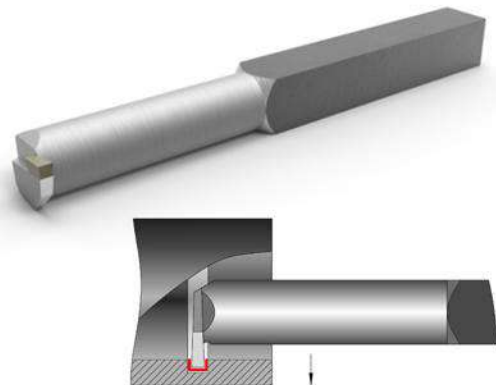
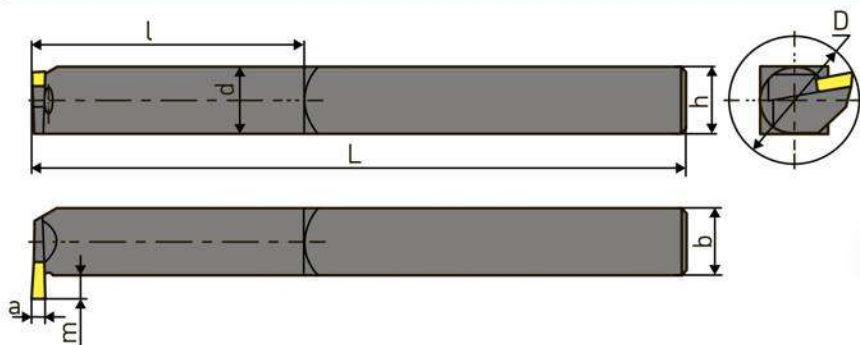


РЕЗЦЫ ТОКАРНЫЕ КАНАВОЧНЫЕ ДЛЯ ВНУТРЕННИХ КАНАВОК



| Обозначение | Сечение резца hxb | L | l | a | m | D наименьший | |
|-------------|-------------------|------|-------|------|------|--------------|------|
| 2663-0001 | 10X10 | 140 | 40 | 2,0 | 6,0 | 21,0 | |
| 2663-0002 | | | | 2,5 | | | |
| 2663-0003 | | | | 3,0 | | | |
| 2663-0004 | | | | 3,5 | | | |
| 2663-0005 | | | | 4,0 | | | |
| 2663-0006 | 12X12 | 140 | 50 | 2,0 | 5,0 | 24,0 | |
| 2663-0007 | | | | 2,5 | | 23,0 | |
| 2663-0008 | | | | 3,0 | | | |
| 2663-0009 | | | | 3,5 | | | |
| 2663-0010 | | | | 4,0 | | | |
| 2663-0011 | 4,5 | 29,0 | | | | | |
| 2663-0012 | 2,0 | | 16X16 | 170 | 55 | 7,0 | |
| 2663-0013 | 2,5 | | | | | | |
| 2663-0014 | 3,0 | | | | | | |
| 2663-0015 | 3,5 | | | | | | |
| 2663-0016 | 4,0 | | | | | | |
| 2663-0017 | 4,5 | 31,0 | | | | | |
| 2663-0018 | 5,0 | | | | | | |
| 2663-0019 | 6,0 | | 6,0 | 30,0 | | | |
| 2663-0020 | 8,0 | | 5,0 | 29,0 | | | |
| 2663-0021 | 3,0 | | 20X20 | 200 | 65 | 8,0 | 38,0 |
| 2663-0022 | 3,5 | | | | | | |
| 2663-0023 | 4,0 | | | | | | |
| 2663-0024 | 4,5 | | | | | | |
| 2663-0025 | 5,0 | | | | | | |
| 2663-0026 | 5,5 | 36,0 | | | | | |
| 2663-0027 | 6,0 | | | | | | |
| 2663-0028 | 8,0 | | 6,0 | 36,0 | | | |
| 2663-0029 | 3,0 | | 25X25 | 240 | 75 | 10,0 | 48,0 |
| 2663-0030 | 3,5 | | | | | | |
| 2663-0031 | 4,0 | | | | | | |
| 2663-0032 | 4,5 | | | | | | |
| 2663-0033 | 5,0 | | | | | | |
| 2663-0034 | 5,5 | 9,0 | 47,0 | | | | |
| 2663-0035 | 6,0 | | | | | | |
| 2663-0036 | 6,5 | | | | | | |
| 2663-0037 | 7,0 | | | 8,0 | 46,0 | | |
| 2663-0038 | 8,0 | | | | | | |
| 2663-0039 | 10,0 | 7,0 | 45,0 | | | | |