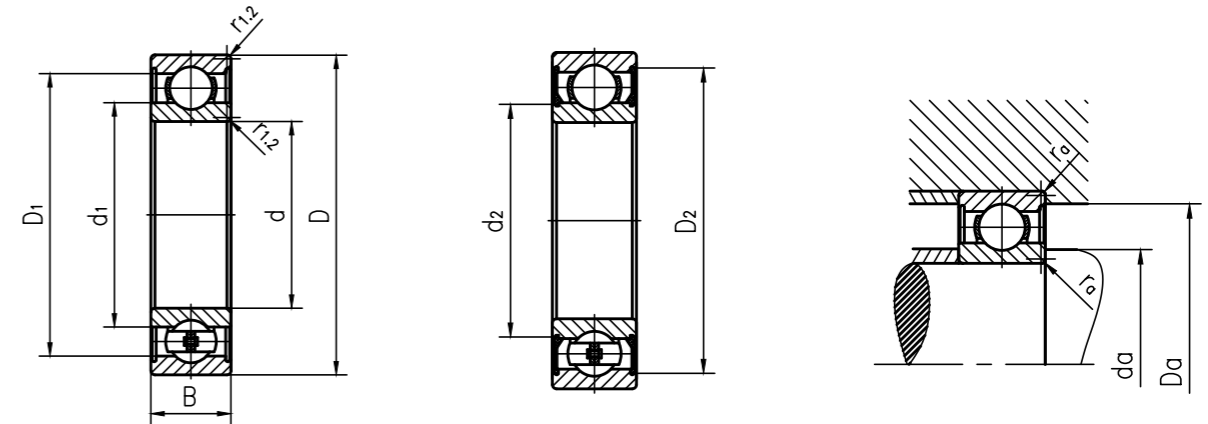


Deep Groove Ball Bearings

Single row deep groove ball bearings

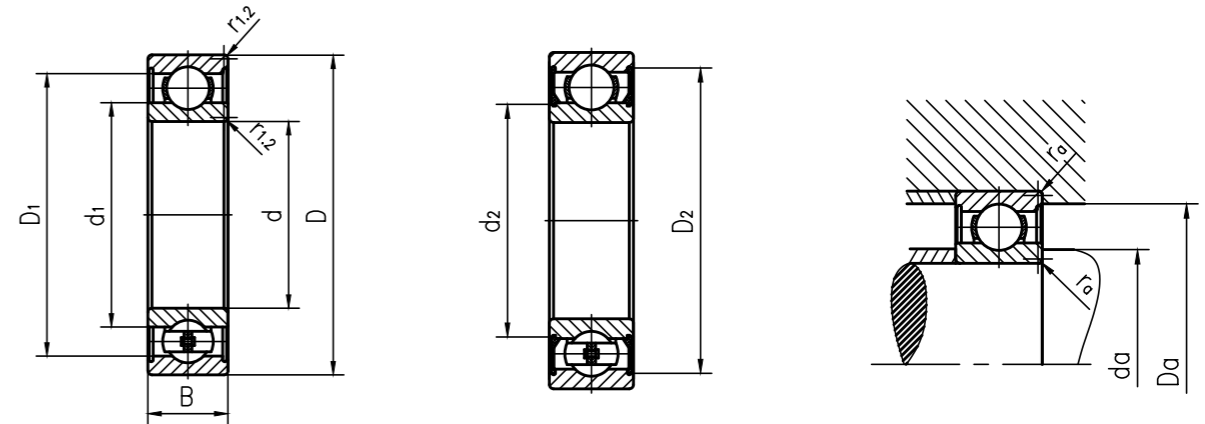


Type Bearing both sides of open or closed seal	One side closed seal	Main dimensions			Dimensions					Shoulder and chamfer dimensions			
		d	D	B	d_1 ≈	d_2 ≈	D_1 ≈	D_2 ≈	$r_{1.2}$ Min.	d_a Min.	d_a Max.	D_a Max.	r_a Max.
-	-	mm			mm					mm			
61805-2RS1	-	25	37	7	-	27.4	-	34.2	0.6	27	27.3	35	0.3
61805-2RZ	-	25	37	7	28.5	-	-	34.2	0.3	27	28.4	35	0.3
61805	-	25	37	7	28.5	-	33.2	-	0.6	27	-	35	0.3
61905-2RS1	-	25	42	9	30.2	-	-	37.7	0.6	27	29	40	0.3
61905-2RZ	-	25	42	9	30.2	-	-	37.7	0.6	27	29	40	0.3
61905	-	25	42	9	30.2	-	-	37.7	0.6	27	-	40	0.3
16005	-	25	47	8	33.3	-	-	42.4	0.3	27	-	45	0.3
6005	-	25	47	12	32	-	-	42.2	0.6	28.2	-	43.8	0.6
6005-2RSH	6005-RSH	25	47	12	-	29.4	-	42.2	0.6	28.2	29.5	43.8	0.6
6005-2RSL	6005-RSL	25	47	12	-	29.4	-	42.2	0.6	28.2	29.5	43.8	0.6
6005-2Z	6005-Z	25	47	12	32	-	-	42.2	0.6	28.2	31.9	43.8	0.6
63005-2RS1	-	25	47	16	32	-	-	42.2	0.6	29.2	31.9	43.8	0.6
6205	-	25	52	15	34.3	-	-	46.3	1	30.6	-	46.4	1
6205-2RSH	6205-RSH	25	52	15	-	31.3	-	46.3	1	30.6	31.5	46.4	1
6205-2RSL	6205-RSL	25	52	15	-	31.3	-	46.3	1	30.6	31.5	46.4	1
6205-2Z	6205-Z	25	52	15	34.3	-	-	46.3	1	30.6	34.3	46.4	1
6205ETN9	-	25	52	15	33.1	-	-	46.3	1	30.6	-	46.4	1
62205-2RS1	-	25	52	18	34.3	-	-	46.3	1	30.6	34.3	46.4	1
6305	-	25	62	17	36.6	-	-	52.7	1.1	32	-	55	1
6305-2RSH	6305-RSH	25	62	17	-	33	-	52.7	1.1	32	33	55	1
6305-2RZ	6305-RZ	25	62	17	36.6	-	-	52.7	1.1	32	36.5	55	1
6305-2Z	6305-Z	25	62	17	36.6	-	-	52.7	1.1	32	36.5	55	1
6305ETN9	-	25	62	17	36.3	-	51.7	-	1.1	32	-	55	1
62305-2RS1	-	25	62	24	36.6	-	-	52.7	1.1	32	36.5	55	1
6405	-	25	80	21	45.4	-	62.9	-	1.5	34	-	71	1.5
62/28	-	28	58	16	37	-	-	51.5	1	33.6	-	52	1
63/28	-	28	68	18	41.7	-	-	57.8	1.1	35	-	61	1
61806-2RS1	-	30	42	7	-	32.6	-	39.4	0.6	32	32.5	40	0.3
61806-2RZ	-	30	42	7	33.7	-	-	39.4	0.6	32	33.6	40	0.3
61806	-	30	42	7	33.7	-	38.4	-	0.3	32	-	40	0.3
61906-2RS1	-	30	47	9	-	34.2	-	42.7	0.3	32	34	45	0.3
61906-2RZ	-	30	47	9	35.2	-	-	42.7	0.3	32	35.1	45	0.3
61906	-	30	47	9	35.2	-	-	42.7	0.3	32	-	45	0.3
16006	-	30	55	9	37.7	-	47.3	-	0.3	32	-	53	0.3

Type Bearing both sides of open or closed seal	One side closed seal	Weight	Basic load rating		Fatigue load limit	Rated speed reference speed	Maximum speed	Calculate the coefficient	
			Dynamic	Static				K_r	f_o
-	-	kg	kN		P_u	r/min	-		
61805-2RS1	-	0.022	4.58	2.73	0.13	-	11550	0.015	14
61805-2RZ	-	0.022	4.58	2.73	0.13	39900	19950	0.015	14
61805	-	0.022	4.58	2.73	0.13	39900	25200	0.015	14
61905-2RS1	-	0.045	7.37	4.52	0.2	-	10500	0.02	15
61905-2RZ	-	0.045	7.37	4.52	0.2	37800	18900	0.02	15
61905	-	0.045	7.37	4.52	0.2	37800	23100	0.02	15
16005	-	0.055	8.46	4.99	0.22	33600	21000	0.02	15
6005	-	0.078	12.50	6.88	0.29	33600	21000	0.025	14
6005-2RSH	6005-RSH	0.081	12.50	6.88	0.29	-	9975	0.025	14
6005-2RSL	6005-RSL	0.08	12.50	6.88	0.29	33600	16800	0.025	14
6005-2Z	6005-Z	0.083	12.50	6.88	0.29	33600	16800	0.025	14
63005-2RS1	-	0.11	11.76	6.88	0.29	-	9975	0.025	14
6205	-	0.13	15.54	8.19	0.35	29400	18900	0.025	14
6205-2RSH	6205-RSH	0.13	15.54	8.19	0.35	-	8925	0.025	14
6205-2RSL	6205-RSL	0.13	15.54	8.19	0.35	29400	14700	0.025	14
6205-2Z	6205-Z	0.13	15.54	8.19	0.35	29400	14700	0.025	14
6205ETN9	-	0.12	18.69	9.77	0.42	29400	18900	0.025	13
62205-2RS1	-	0.13	14.70	8.19	0.35	-	8925	0.025	14
6305	-	0.23	24.57	12.18	0.51	25200	16800	0.03	12
6305-2RSH	6305-RSH	0.24	24.57	12.18	0.51	-	7875	0.03	12
6305-2RZ	6305-RZ	0.23	24.57	12.18	0.51	25200	13650	0.03	12
6305-2Z	6305-Z	0.23	24.57	12.18	0.51	25200	13650	0.03	12
6305ETN9	-	0.22	27.30	14.07	0.6	25200	16800	0.03	12
62305-2RS1	-	0.32	23.63	12.18	0.51	-	7875	0.03	12
6405	-	0.54	37.59	20.27	0.86	21000	13650	0.035	12
62/28	-	0.17	17.64	9.98	0.43	27300	16800	0.025	14
63/28	-	0.3	26.36	14.39	0.61	23100	14700	0.03	13
61806-2RS1	-	0.025	4.71	3.05	0.15	-	9975	0.015	14
61806-2RZ	-	0.025	4.71	3.05	0.15	33600	16800	0.015	14
61806	-	0.025	4.71	3.05	0.15	33600	21000	0.015	14
61906-2RS1	-	0.051	7.64	4.78	0.22	-	8925	0.02	14
61906-2RZ	-	0.051	7.64	4.78	0.22	31500	15750	0.02	14
61906	-	0.049	7.64	4.78	0.22	31500	19950	0.02	14
16006	-	0.089	12.50	7.72	0.33	29400	17850	0.02	15

Deep Groove Ball Bearings

Single row deep groove ball bearings

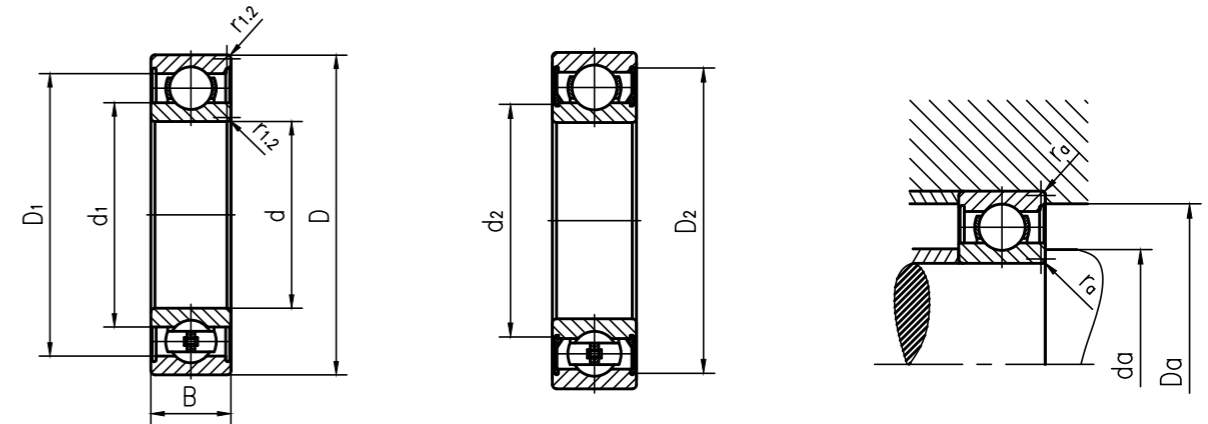


Type Bearing both sides of open or closed seal	One side closed seal	Main dimensions			Dimensions					Shoulder and chamfer dimensions			
		d	D	B	d ₁ ≈	d ₂ ≈	D ₁ ≈	D ₂ ≈	r _{1,2} Min.	d _a Min.	d _a Max.	D _a Max.	r _a Max.
-	-	mm			mm					mm			
6006	-	30	55	13	38.2	-	-	49	1	34.6	-	50	1
6006-2RS1	6006-RS1	30	55	13	38.2	-	-	49	1	34.6	38.1	50	1
6006-2RZ	6006-RZ	30	55	13	38.2	-	-	49	1	34.6	38.1	50	1
6006-2Z	6006-Z	30	55	13	38.2	-	-	49	1	34.6	38.1	50	1
63006-2RS1	-	30	55	19	38.2	-	-	49	1	34.6	38.1	50	1
6206	-	30	62	16	40.3	-	-	54.1	1	35.6	-	56	1
6206-2RSH	6206-RSH	30	62	16	-	37.3	-	54.1	1	35.6	37.3	56	1
6206-2RZ	6206-RZ	30	62	16	40.3	-	-	54.1	1	35.6	40.3	56	1
6206-2Z	6206-Z	30	62	16	40.3	-	-	54.1	1	35.6	40.3	56	1
6206 ETN9	-	30	62	16	39.5	-	52.9	-	1	35.6	-	56	1
62206-2RS1	-	30	62	20	40.3	-	-	54.1	1	35.6	40.3	56	1
6306	-	30	72	19	44.6	-	-	61.9	1.1	37	-	65	1
6306-2RSH	6306-RSH	30	72	19	-	41.1	-	63.2	1.1	37	40.8	65	1
6306-2RZ	6306-RZ	30	72	19	44.6	-	-	61.9	1.1	37	44.5	65	1
6306-2Z	6306-Z	30	72	19	44.6	-	-	61.9	1.1	37	44.5	65	1
6306 ETN9	-	30	72	19	42.3	-	59.6	-	1.1	37	-	65	1
62306-2RS1	-	30	72	27	44.6	-	-	61.9	1.1	37	44.5	65	1
6406	-	30	90	23	50.3	-	69.7	-	1.5	41	-	79	1.5
61807-2RS1	-	35	47	7	38.2	-	-	44.4	0.3	37	38	45	0.3
61807-2RZ	-	35	47	7	38.2	-	-	44.4	0.3	37	38	45	0.3
61807	-	35	47	7	38.2	-	42.8	-	0.3	37	-	45	0.3
61907-2RS1	-	35	55	10	42.2	-	-	52.2	0.6	38.2	41.5	51	0.6
61907-2RZ	-	35	55	10	42.2	-	-	52.2	0.6	38.2	41.5	51	0.6
61907	-	35	55	10	42.2	-	-	52.2	0.6	38.2	-	51	0.6
16007	-	35	62	9	44	-	53	-	0.3	37	-	60	0.3
6007	-	35	62	14	43.7	-	-	55.7	1	39.6	-	57	1
6007-2RS1	6007-RS1	35	62	14	43.7	-	-	55.7	1	39.6	43.7	57	1
6007-2RZ	6007-RZ	35	62	14	43.7	-	-	55.7	1	39.6	43.7	57	1
6007-2Z	6007-Z	35	62	14	43.7	-	-	55.7	1	39.6	43.7	57	1
63007-2RS1	-	35	62	20	43.7	-	-	55.7	1	39.6	43.7	57	1
6207	-	35	72	17	46.9	-	-	62.7	1.1	42	-	65	1
6207-2RSH	6207-RSH	35	72	17	-	43.5	-	64.1	1.1	42	43.2	65	1
6207-2Z	6207-Z	35	72	17	46.9	-	-	62.7	1.1	42	46.8	65	1
6207 ETN9	-	35	72	17	46.1	-	61.7	-	1.1	42	-	65	1

Type Bearing both sides of open or closed seal	One side closed seal	Weight	Basic load rating		Fatigue load limit	Rated speed reference speed	Maximum speed	Calculate the coefficient	
			Dynamic	Static				K _r	f ₀
-	-	kg	kN		P _u	r/min	-	-	-
6006	-	0.12	14.49	8.72	0.37	29400	17850	0.025	15
6006-2RS1	6006-RS1	0.12	14.49	8.72	0.37	-	8400	0.025	15
6006-2RZ	6006-RZ	0.12	14.49	8.72	0.37	29400	14700	0.025	15
6006-2Z	6006-Z	0.12	14.49	8.72	0.37	29400	14700	0.025	15
63006-2RS1	-	0.17	13.97	8.72	0.37	-	8400	0.025	15
6206	-	0.2	21.32	11.76	0.5	25200	15750	0.025	14
6206-2RSH	6206-RSH	0.21	21.32	11.76	0.5	-	7875	0.025	14
6206-2RZ	6206-RZ	0.2	21.32	11.76	0.5	25200	12600	0.025	14
6206-2Z	6206-Z	0.21	21.32	11.76	0.5	25200	12600	0.025	14
6206 ETN9	-	0.18	24.57	13.55	0.57	25200	15750	0.025	13
62206-2RS1	-	0.25	20.48	11.76	0.5	-	7875	0.025	14
6306	-	0.35	31.08	16.80	0.7	21000	13650	0.03	13
6306-2RSH	6306-RSH	0.35	31.08	16.80	0.7	-	6615	0.03	13
6306-2RZ	6306-RZ	0.36	31.08	16.80	0.7	21000	11550	0.03	13
6306-2Z	6306-Z	0.36	31.08	16.80	0.7	21000	11550	0.03	13
6306 ETN9	-	0.33	34.13	18.17	0.77	23100	14700	0.03	12
62306-2RS1	-	0.5	29.51	16.80	0.7	-	6615	0.03	13
6406	-	0.75	45.78	24.78	1.05	18900	11550	0.035	12
61807-2RS1	-	0.022	4.58	3.52	0.15	-	8925	0.015	14
61807-2RZ	-	0.03	4.58	3.52	0.15	31500	15750	0.015	14
61807	-	0.029	4.58	3.52	0.15	31500	18900	0.015	14
61907-2RS1	-	0.08	11.34	8.19	0.34	-	7875	0.02	16
61907-2RZ	-	0.08	11.34	8.19	0.34	27300	13650	0.02	16
61907	-	0.08	11.34	8.19	0.34	27300	16800	0.02	16
16007	-	0.11	13.65	8.56	0.39	25200	15750	0.02	14
6007	-	0.15	17.64	10.71	0.46	25200	15750	0.025	15
6007-2RS1	6007-RS1	0.16	17.64	10.71	0.46	-	7350	0.025	15
6007-2RZ	6007-RZ	0.16	17.64	10.71	0.46	25200	12600	0.025	15
6007-2Z	6007-Z	0.16	17.64	10.71	0.46	25200	12600	0.025	15
63007-2RS1	-	0.22	16.70	10.71	0.46	-	7350	0.025	15
6207	-	0.29	28.35	16.07	0.69	21000	13650	0.025	14
6207-2RSH	6207-RSH	0.3	28.35	16.07	0.69	-	6615	0.025	14
6207-2Z	6207-Z	0.3	28.35	16.07	0.69	21000	10500	0.025	14
6207 ETN9	-	0.26	32.76	18.48	0.79	21000	13650	0.025	13

Deep Groove Ball Bearings

Single row deep groove ball bearings

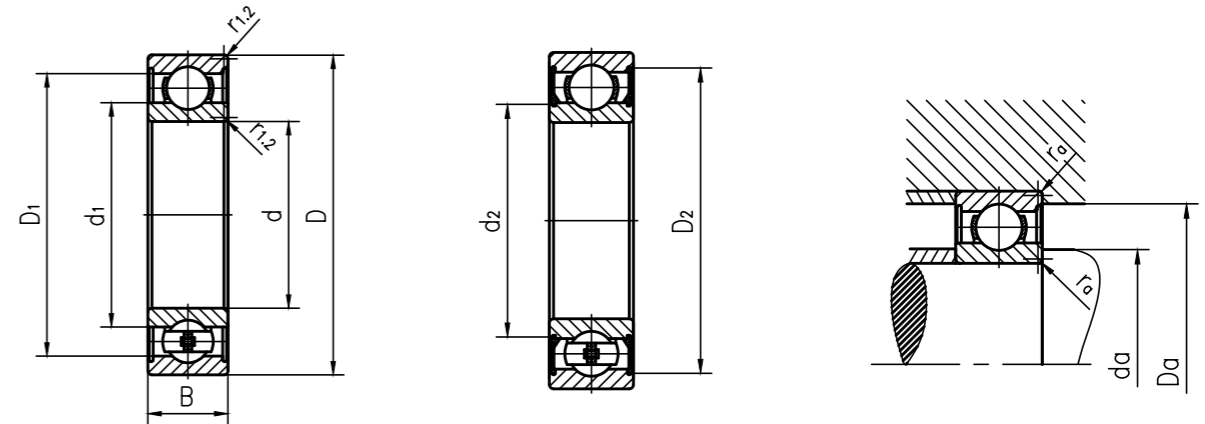


Type Bearing both sides of open or closed seal	One side closed seal	Main dimensions			Dimensions					Shoulder and chamfer dimensions			
		d	D	B	d_1 ≈	d_2 ≈	D_1 ≈	D_2 ≈	$r_{1,2}$ Min.	d_a Min.	d_a Max.	D_a Max.	r_a Max.
-	-	mm			mm					mm			
62207-2RS1	-	35	72	23	46.9	-	-	62.7	1.1	42	46.8	65	1
6307	-	35	80	21	49.5	-	-	69.2	1.5	44	-	71	1.5
6307 M	-	35	80	21	49.5	-	-	69.2	1.5	44	-	71	1.5
6307-2RSH	6307-RSH	35	80	21	-	45.9	-	70.2	1.5	44	45.6	71	1.5
6307-2Z	6307-Z	35	80	21	49.5	-	-	69.2	1.5	44	49.5	71	1.5
62307-2RS1	-	35	80	31	49.5	-	-	69.2	1.5	44	49.5	71	1.5
6407	-	35	100	25	57.4	-	79.6	-	1.5	46	-	89	1.5
61808-2RZ	-	40	52	7	43.2	-	-	49.3	0.3	42	43	50	0.3
61808	-	40	52	7	43.2	-	48.1	-	0.3	42	-	50	0.3
61908-2RS1	-	40	62	12	46.9	-	-	57.3	0.6	43.2	46.8	58	0.6
61908-2RZ	-	40	62	12	46.9	-	-	57.3	0.6	43.2	46.8	58	0.6
61908	-	40	62	12	46.9	-	55.6	-	0.6	43.2	-	58	0.6
16008	-	40	68	9	49.4	-	58.6	-	0.3	42	-	66	0.3
6008	-	40	68	15	49.2	-	-	61.1	1	44.6	-	63	1
6008-2RS1	6008-RS1	40	68	15	49.2	-	-	61.1	1	44.6	49.2	63	1
6008-2RZ	6008-RZ	40	68	15	49.2	-	-	61.1	1	44.6	49.2	63	1
6008-2Z	6008-Z	40	68	15	49.2	-	-	61.1	1	44.6	49.2	63	1
63008-2RS1	-	40	68	21	49.2	-	-	61.1	1	44.6	49.2	63	1
6208	-	40	80	18	52.6	-	-	69.8	1.1	47	-	73	1
6208-2RSH	6208-RSH	40	80	18	-	49.1	-	71.5	1.1	47	48.8	73	1
6208-2RZ	6208-RZ	40	80	18	52.6	-	-	69.8	1.1	47	52	73	1
6208-2Z	6208-Z	40	80	18	52.6	-	-	69.8	1.1	47	52	73	1
6208 ETN9	-	40	80	18	52	-	68.8	-	1.1	47	-	73	1
62208-2RS1	-	40	80	23	52.6	-	-	69.8	1.1	47	52	73	1
6308	-	40	90	23	56.1	-	-	77.7	1.5	49	-	81	1.5
6308-2RSH	6308-RSH	40	90	23	-	52.3	-	78.6	1.5	49	52	81	1.5
6308-2RZ	6308-RZ	40	90	23	56.1	-	-	77.7	1.5	49	56	81	1.5
6308-2Z	6308-Z	40	90	23	56.1	-	-	77.7	1.5	49	56	81	1.5
62308-2RS1	-	40	90	33	56.1	-	-	77.7	1.5	49	56	81	1.5
6408	-	40	110	27	62.8	-	87	-	2	53	-	97	2
61809-2RS1	-	45	58	7	48.2	-	-	55.4	0.3	47	49	56	0.3
61809-2RZ	-	45	58	7	48.2	-	-	55.4	0.3	47	49	56	0.3
61809	-	45	58	7	48.2	-	54	-	0.3	47	-	56	0.3

Type Bearing both sides of open or closed seal	One side closed seal	Weight	Basic load rating		Fatigue load limit	Rated speed reference speed	Maximum speed	Calculate the coefficient	
			Dynamic	Static				K_r	f_o
-	-	kg	kN		P_u	r/min	-	-	
62207-2RS1	-	0.4	26.78	16.07	0.69	-	6615	0.025	14
6307	-	0.46	36.86	19.95	0.86	19950	12600	0.03	13
6307 M	-	0.54	36.86	19.95	0.86	19950	17850	0.03	13
6307-2RSH	6307-RSH	0.46	36.86	19.95	0.86	-	6300	0.03	13
6307-2Z	6307-Z	0.48	36.86	19.95	0.86	19950	9975	0.03	13
62307-2RS1	-	0.68	34.86	19.95	0.86	-	6300	0.03	13
6407	-	0.97	58.07	32.55	1.35	16800	10500	0.035	12
61808-2RZ	-	0.034	4.71	3.94	0.17	27300	13650	0.015	15
61808	-	0.032	4.71	3.94	0.17	27300	16800	0.015	15
61908-2RS1	-	0.12	14.49	10.50	0.45	-	7035	0.02	16
61908-2RZ	-	0.12	14.49	10.50	0.45	25200	12600	0.02	16
61908	-	0.12	14.49	10.50	0.45	25200	14700	0.02	16
16008	-	0.13	14.49	10.71	0.46	23100	14700	0.02	16
6008	-	0.19	18.69	11.55	0.51	23100	14700	0.025	15
6008-2RS1	6008-RS1	0.2	18.69	11.55	0.51	-	6615	0.025	15
6008-2RZ	6008-RZ	0.2	18.69	11.55	0.51	23100	11550	0.025	15
6008-2Z	6008-Z	0.2	18.69	11.55	0.51	23100	11550	0.025	15
63008-2RS1	-	0.27	17.64	11.55	0.51	-	6615	0.025	15
6208	-	0.37	34.13	19.95	0.84	18900	11550	0.025	14
6208-2RSH	6208-RSH	0.37	34.13	19.95	0.84	-	5880	0.025	14
6208-2RZ	6208-RZ	0.38	34.13	19.95	0.84	18900	9450	0.025	14
6208-2Z	6208-Z	0.38	34.13	19.95	0.84	18900	9450	0.025	14
6208 ETN9	-	0.34	37.59	21.84	0.92	18900	11550	0.025	13
62208-2RS1	-	0.47	32.24	19.95	0.84	-	5880	0.025	14
6308	-	0.63	44.42	25.20	1.07	17850	11550	0.03	13
6308-2RSH	6308-RSH	0.64	44.42	25.20	1.07	-	5250	0.03	13
6308-2RZ	6308-RZ	0.65	44.42	25.20	1.07	17850	8925	0.03	13
6308-2Z	6308-Z	0.65	44.42	25.20	1.07	17850	8925	0.03	13
62308-2RS1	-	0.92	43.05	25.20	1.07	-	5250	0.03	13
6408	-	1.25	66.89	38.33	1.61	14700	9450	0.035	12
61809-2RS1	-	0.04	6.96	6.41	0.27	-	7035	0.015	17
61809-2RZ	-	0.04	6.96	6.41	0.27	23100	11550	0.015	17
61809	-	0.04	6.96	6.41	0.27	23100	14700	0.015	17

Deep Groove Ball Bearings

Single row deep groove ball bearings

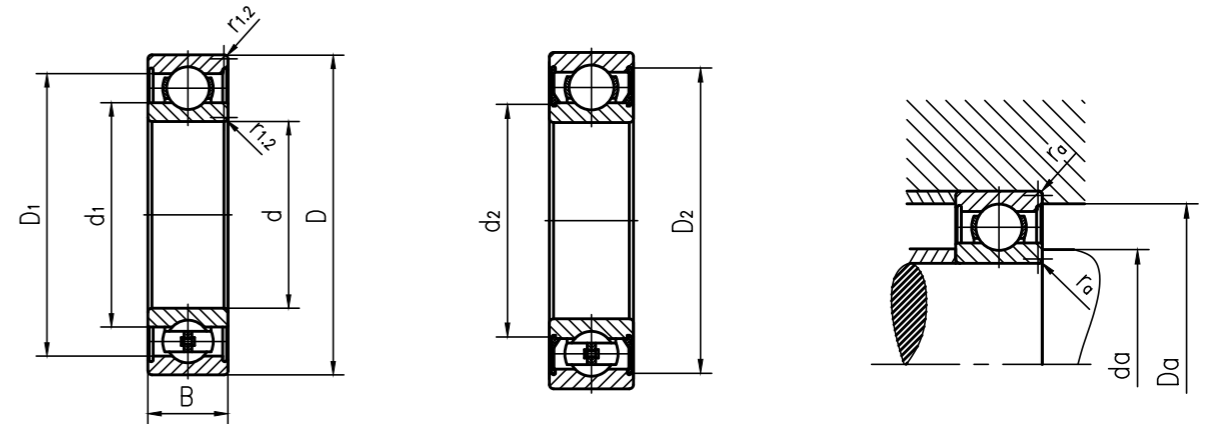


Type Bearing both sides of open or closed seal	One side closed seal	Main dimensions			Dimensions					Shoulder and chamfer dimensions			
		d	D	B	d_1 ≈	d_2 ≈	D_1 ≈	D_2 ≈	$r_{1,2}$ Min.	d_a Min.	d_a Max.	D_a Max.	r_a Max.
-	-	mm			mm					mm			
61909-2RS1	-	45	68	12	52.4	-	-	62.8	0.6	48.2	52	64	0.6
61909-2RZ	-	45	68	12	52.4	-	-	62.8	0.6	48.2	52	64	0.6
61909	-	45	68	12	52.4	-	61.2	-	0.6	48.2	-	64	0.6
16009	-	45	75	10	55	-	65	-	0.6	48.2	-	71	0.6
6009	-	45	75	16	54.7	-	-	67.8	1	51	-	69	1
6009-2RS1	6009-RS1	45	75	16	54.7	-	-	67.8	1	51	54	69	1
6009-2Z	6009-Z	45	75	16	54.7	-	-	67.8	1	51	54	69	1
63009-2RS1	-	45	75	23	54.7	-	-	67.8	1	51	54	69	1
6209	-	45	85	19	57.6	-	-	75.2	1.1	52	-	78	1
6209-2RSH	6209-RSH	45	85	19	-	54.1	-	76.5	1.1	52	53	78	1
6209-2Z	6209-Z	45	85	19	57.6	-	-	75.2	1.1	52	57	78	1
62209-2RS1	-	45	85	23	57.6	-	-	75.2	1.1	52	57	78	1
6309	-	45	100	25	62.1	-	-	86.7	1.5	54	-	91	1.5
6309M	-	45	100	25	62.1	-	-	86.7	1.5	54	-	91	1.5
6309-2RSH	6309-RSH	45	100	25	-	58.2	-	87.5	1.5	54	57	91	1.5
6309-2Z	6309-Z	45	100	25	62.1	-	-	86.7	1.5	54	62	91	1.5
62309-2RS1	-	45	100	36	62.1	-	-	86.7	1.5	54	62	91	1.5
6409	-	45	120	29	68.9	-	95.9	-	2	58	-	107	2
61810-2RS1	-	50	65	7	54.6	-	-	61.8	0.3	52	55	63	0.3
61810-2RZ	-	50	65	7	54.6	-	-	61.8	0.3	52	55	63	0.3
61810	-	50	65	7	54.6	-	60.3	-	0.3	52	-	63	0.3
61910-2RS1	-	50	72	12	56.8	-	-	67.3	0.6	54	56	68	0.6
61910-2RZ	-	50	72	12	56.8	-	-	67.3	0.6	54	56	68	0.6
61910	-	50	72	12	56.8	-	65.6	-	0.6	54	-	68	0.6
16010	-	50	80	10	60	-	70	-	0.6	54	-	76	0.6
6010	-	50	80	16	59.7	-	-	72.8	1	55	-	75	1
6010-2RS1	6010-RS1	50	80	16	59.7	-	-	72.8	1	55	59	75	1
6010-2RZ	6010-RZ	50	80	16	59.7	-	-	72.8	1	55	59	75	1
6010-2Z	6010-Z	50	80	16	59.7	-	-	72.8	1	55	59	75	1
63010-2RS1	-	50	80	23	59.7	-	-	72.8	1	55	59	75	1
6210	-	50	90	20	62.5	-	-	81.7	1.1	57	-	83	1
6210M	-	50	90	20	62.5	-	-	81.7	1.1	57	-	83	1
6210-2RSH	6210-RSH	50	90	20	-	58.8	-	82.2	1.1	57	58	83	1
6210-2Z	6210-Z	50	90	20	62.5	-	-	81.7	1.1	57	62	83	1

Type Bearing both sides of open or closed seal	One side closed seal	Weight	Basic load rating		Fatigue load limit	Rated speed reference speed	Maximum speed	Calculate the coefficient	
			Dynamic	Static				K_r	f_o
-	-	kg	kN		P_u	r/min	-	-	-
61909-2RS1	-	0.14	14.70	11.34	0.49	-	6300	0.02	16
61909-2RZ	-	0.14	14.70	11.34	0.49	21000	10500	0.02	16
61909	-	0.14	14.70	11.34	0.49	21000	13650	0.02	16
16009	-	0.17	17.33	11.34	0.55	21000	12600	0.02	14
6009	-	0.24	23.21	15.33	0.67	21000	12600	0.025	15
6009-2RS1	6009-RS1	0.25	23.21	15.33	0.67	-	5880	0.025	15
6009-2Z	6009-Z	0.25	23.21	15.33	0.67	21000	10500	0.025	15
63009-2RS1	-	0.36	21.84	15.33	0.67	-	5880	0.025	15
6209	-	0.42	36.86	22.68	0.96	17850	11550	0.025	14
6209-2RSH	6209-RSH	0.42	36.86	22.68	0.96	-	5250	0.025	14
6209-2Z	6209-Z	0.43	36.86	22.68	0.97	17850	8925	0.025	14
62209-2RS1	-	0.51	34.86	22.68	0.96	-	5250	0.025	14
6309	-	0.84	58.07	33.08	1.41	15750	9975	0.03	13
6309M	-	0.85	58.07	33.08	1.41	15750	14700	0.03	13
6309-2RSH	6309-RSH	0.85	58.07	33.08	1.41	-	4725	0.03	13
6309-2Z	6309-Z	0.87	58.07	33.08	1.41	15750	7875	0.03	13
62309-2RS1	-	1.2	55.34	33.08	1.41	-	4725	0.03	13
6409	-	1.55	79.91	47.25	2.00	13650	8925	0.035	12
61810-2RS1	-	0.052	7.10	7.14	0.3	-	6300	0.015	17
61810-2RZ	-	0.052	7.10	7.14	0.30	21000	10500	0.015	17
61810	-	0.052	7.10	7.14	0.30	21000	13650	0.015	17
61910-2RS1	-	0.14	15.33	12.39	0.53	-	5880	0.02	16
61910-2RZ	-	0.14	15.33	12.39	0.53	19950	9975	0.02	16
61910	-	0.14	15.33	12.39	0.53	19950	12600	0.02	16
16010	-	0.18	17.64	11.97	0.59	18900	11550	0.02	14
6010	-	0.26	24.05	16.80	0.75	18900	11550	0.025	15
6010-2RS1	6010-RS1	0.27	24.05	16.38	0.75	-	5250	0.025	15
6010-2RZ	6010-RZ	0.27	24.05	16.38	0.75	18900	9450	0.025	15
6010-2Z	6010-Z	0.27	24.05	16.38	0.75	18900	9450	0.025	15
63010-2RS1	-	0.38	22.68	16.38	0.75	-	5250	0.025	15
6210	-	0.46	38.96	24.36	1.03	15750	10500	0.025	14
6210M	-	0.52	38.96	24.36	1.03	15750	14700	0.025	14
6210-2RSH	6210-RSH	0.46	38.96	24.36	1.03	-	5040	0.025	14
6210-2Z	6210-Z	0.47	38.96	24.36	1.03	15750	8400	0.025	14

Deep Groove Ball Bearings

Single row deep groove ball bearings



Type Bearing both sides of open or closed seal	One side closed seal	Main dimensions			Dimensions					Shoulder and chamfer dimensions			
		d	D	B	d_1 ≈	d_2 ≈	D_1 ≈	D_2 ≈	$r_{1,2}$ Min.	d_a Min.	d_a Max.	D_a Max.	r_a Max.
-	-	mm			mm					mm			
6210-2RZ	6210-RZ	50	90	20	62.5	-	-	81.7	1.1	57	62	83	1
62210-2RS1	-	50	90	23	62.5	-	-	81.7	1.1	57	62	83	1
6310 M	-	50	110	27	68.7	-	-	95.2	2	61	-	99	2
6310-2RSH	6310-RSH	50	110	27	-	64.7	-	95.9	2	61	64	99	2
6310	-	50	110	27	68.7	-	-	95.2	2	61	-	99	2
6310-2Z	6310-Z	50	110	27	68.7	-	-	95.2	2	61	68	99	2
62310-2RS1	-	50	110	40	68.7	-	-	95.2	2	61	68	99	2
6410	-	50	130	31	75.4	-	105	-	2.1	64	-	116	2
61811-2RS1	-	55	72	9	60.3	-	-	68.6	0.3	57	60	70	0.3
61811-2RZ	-	55	72	9	60.3	-	-	68.6	0.3	57	60	70	0.3
61811	-	55	72	9	60.3	-	67	-	0.3	57	-	70	0.3
61911-2RS1	-	55	80	13	63	-	-	74.2	1	60	63	75	1
61911-2RZ	-	55	80	13	63	-	-	74.2	1	60	63	75	1
61911	-	55	80	13	63	-	72.3	-	1	60	-	75	1
16011	-	55	90	11	67	-	78.1	-	0.6	59	-	86	0.6
6011 M	-	55	90	18	66.3	-	-	81.5	1.1	61	-	84	1
6011	-	55	90	18	66.3	-	-	81.5	1.1	61	-	84	1
6011-2RS1	6011-RS1	55	90	18	66.3	-	-	81.5	1.1	61	66	84	1
6011-2Z	6011-Z	55	90	18	66.3	-	-	81.5	1.1	61	66	84	1
6211	-	55	100	21	69	-	-	89.4	1.5	64	-	91	1.5
6211 M	-	55	100	21	69	-	-	89.4	1.5	64	-	91	1.5
6211-2RSH	6211-RSH	55	100	21	-	65.2	-	90.5	1.5	64	64	91	1.5
6211-2Z	6211-Z	55	100	21	69	-	-	89.4	1.5	64	69	91	1.5
62211-2RS1	-	55	100	25	69	-	-	89.4	1.5	64	69	91	1.5
6311	-	55	120	29	75.3	-	-	104	2	66	-	109	2
6311 M	-	55	120	29	75.3	-	-	104	2	66	-	109	2
6311-2RSH	6311-RSH	55	120	29	-	71.1	-	105	2	66	70	109	2
6311-2Z	6311-Z	55	120	29	75.3	-	-	104	2	66	75	109	2
62311-2RS1	-	55	120	43	75.3	-	-	104	2	66	75	109	2
6411	-	55	140	33	81.5	-	114	-	2.1	69	-	126	2
61812-2RS1	-	60	78	10	65.4	-	-	74.5	0.3	62	65	76	0.3
61812-2RZ	-	60	78	10	65.4	-	-	74.5	0.3	62	65	76	0.3
61812	-	60	78	10	65.4	-	72.9	-	0.3	62	-	76	0.3
61912-2RS1	-	60	85	13	68.3	-	-	78.7	1	65	68	80	1

Type Bearing both sides of open or closed seal	One side closed seal	Weight	Basic load rating		Fatigue load limit	Rated speed reference speed	Maximum speed	Calculate the coefficient	
			Dynamic	Static				K_r	f_o
-	-	kg	kN		P_u	r/min	-	-	-
6210-2RZ	6210-RZ	0.48	38.96	24.36	1.03	15750	8400	0.025	14
62210-2RS1	-	0.54	36.86	24.36	1.03	-	5040	0.025	14
6310 M	-	1.3	68.25	39.90	1.68	13650	8925	0.03	13
6310-2RSH	6310-RSH	1.1	68.25	39.90	1.68	-	4515	0.03	13
6310	-	1.1	68.25	39.90	1.68	13650	8925	0.03	13
6310-2Z	6310-Z	1.1	68.25	39.90	1.68	13650	7035	0.03	13
62310-2RS1	-	1.6	64.89	39.90	1.68	-	4515	0.03	13
6410	-	1.95	91.46	54.60	2.31	12600	7875	0.035	12
61811-2RS1	-	0.083	9.49	9.24	0.39	-	5565	0.015	17
61811-2RZ	-	0.083	9.49	9.24	0.39	19950	9975	0.015	17
61811	-	0.083	9.49	9.24	0.39	19950	12600	0.015	17
61911-2RS1	-	0.19	17.33	14.70	0.63	-	5250	0.02	16
61911-2RZ	-	0.19	17.33	14.70	0.63	17850	8925	0.02	16
61911	-	0.19	17.33	14.70	0.63	17850	11550	0.02	16
16011	-	0.26	21.32	14.70	0.73	16800	10500	0.02	14
6011 M	-	0.44	31.08	22.26	0.95	16800	14700	0.025	15
6011	-	0.38	31.08	22.26	0.95	16800	10500	0.025	15
6011-2RS1	6011-RS1	0.4	31.08	22.26	0.95	-	4725	0.025	15
6011-2Z	6011-Z	0.4	31.08	22.26	0.95	16800	8400	0.025	15
6211	-	0.61	48.51	30.45	1.31	14700	9450	0.025	14
6211 M	-	0.72	48.51	30.45	1.31	14700	13650	0.025	14
6211-2RSH	6211-RSH	0.62	48.51	30.45	1.31	-	4515	0.025	14
6211-2Z	6211-Z	0.64	48.51	30.45	1.31	14700	7350	0.025	14
62211-2RS1	-	0.75	45.78	30.45	1.31	-	4515	0.025	14
6311	-	1.35	77.81	47.25	2.00	12600	8400	0.03	13
6311 M	-	1.65	77.81	47.25	2.00	12600	11550	0.03	13
6311-2RSH	6311-RSH	1.4	77.81	47.25	2.00	-	3990	0.03	13
6311-2Z	6311-Z	1.4	77.81	47.25	2.00	12600	6615	0.03	13
62311-2RS1	-	2.05	75.08	47.25	2.00	-	3990	0.03	13
6411	-	2.35	104.48	65.10	2.73	11550	7350	0.035	12
61812-2RS1	-	0.11	12.50	11.97	0.51	-	5040	0.015	17
61812-2RZ	-	0.11	12.50	11.97	0.51	17850	8925	0.015	17
61812	-	0.11	12.50	11.97	0.51	17850	11550	0.015	17
61912-2RS1	-	0.21	17.33	12.60	0.63	-	4725	0.02	14