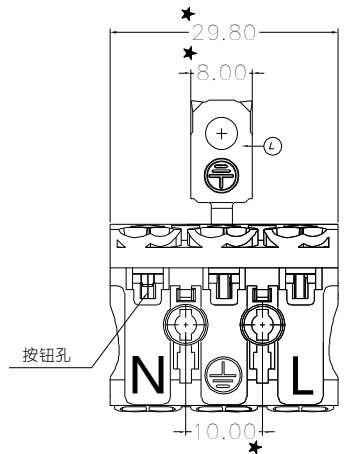


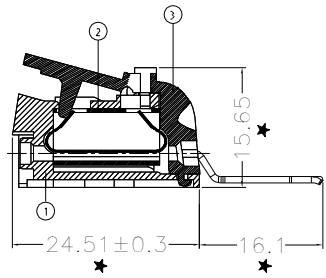
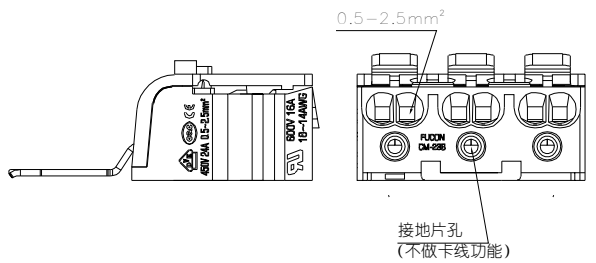
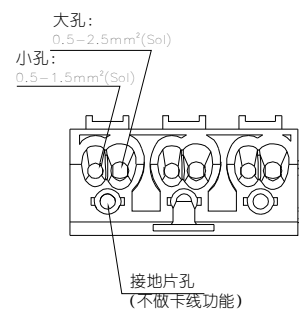
1		2		3		4		5		6		7		8							
未注公差/General tolerances(mm)														符号/SIGN		描述/DESCRIPTION		修订者/DRAWN		日期/DATE	
>0	>3	>6	>10	>18	>30	>50	>80	>120	>180	>250	>315	>400	>500	0.1/10							
~	~	~	~	~	~	~	~	~	~	~	~	~	~								
3	6	10	18	30	50	80	120	180	250	315	400	500									
±0.15	±0.20	±0.25	±0.30	±0.35	±0.40	±0.60	±0.80	±0.95	±1.00	±1.20	±1.60	±2.20	±2.50	±2							

5		6		7		8	
符号/SIGN		描述/DESCRIPTION		修订者/DRAWN		日期/DATE	



**Factory: Xiamen Fucon IMP&EXP CO.,LTD**

**Part No.: CM-238-3P-D**  
**CM-238 - series of push wire connector (electrical terminal block)**  
**D -Metal Parts**  
**3P - number of Pins (3 Pins)**



技术参数 Technical parameter:

● 产品标准/Rated Voltage	UL1059	IEC60998	GB13140	IEC60998
● 获得安规及标志 Access to Safety Mark				
● 证书号码/Certificate No	E338959	40041279	CQC 190 03226724	AQ5050 33330001
● 额定电压/Rated Voltage	600V	450V	450V	450V
● 额定电流/Rated Current	16A	24A		24A
● 线径范围/Wire range		0.5~2.5mm <sup>2</sup>	0.5~2.5mm <sup>2</sup>	0.5~2.5mm <sup>2</sup>
● 大孔导线/Sol (Line-bigger hole)	18-14	0.5~2.5mm <sup>2</sup>		
● 小孔导线/Sol (Line-smaller hole)	18-16	0.5~1.5mm <sup>2</sup>		
● 剥线长度/Wire strip length	8-9mm	8-9mm	8-9mm	8-9mm
● 绝缘耐压/Withstanding Voltage	2200V	2500V	2500V	2500V
● 温度范围/Operating temperature	-40℃~120℃			
● 焊接温度/Soldering temperature	/			
● 关键尺寸/Critical dimension	★			

④	接地片/Grounding strip	铜/Copper Alloy	镍/Ni plated	1
③	端盖/Cover	尼龙/PA	白色	1
②	五金组件/Hardware components	铜+不锈钢/Copper Alloy+SUS301	镍/Ni plated	3
①	主座/Housing	尼龙/PA	白色	1
ITEM 序号	NAME OF PART 部件名称	Material 材料	NOTES 备注	QTY 用量

 <b>FUCON</b> APPROVED/ 审批 CHECKED/ 核准 DRAWN/ 制图 	CAT NO./ 认证型号	CM-238	SHEET: 1/1
	PATE NO./ 成品料号	02.01.005.0198	SCALE: 1:1
	CUST NO./ 客户料号	/	REV.: A01
	MODEL:	CM-238-3P-D	接地符号5.0
	DRAWING NO./ 图号: CM-238-198		
	SIZE: A4	TYPE/ 图纸类型: CUSTOMER_DRAWING	