

6189T HORIZONTAL/VERTICAL SANDING MACHINE MANUAL



LAGUNA TOOLS
2072 Alton Parkway
Irvine, California 92606
Ph: 800.234.1976
www.lagunatools.com

WARNING

For Your Own Safety Read instruction Manual Before Operating Sander.

1. Wear eye protection.
2. Support Workpiece with backstop or worktable.
 1. KEEP GUARDS IN PLACE and in working order.
 2. REMOVE ADJUSTING KEYS AND WRENCHES. Form habit of checking to see that keys and adjusting wrenches are removed from tool before turning it on.
 3. KEEP WORK AREA CLEAN. Cluttered areas and benches invite accidents.
 4. DON'T USE IN DANGEROUS ENVIRONMENT. Don't use power tool in damp or wet locations, or expose them to rain. Keep work area well lighted.
 5. KEEP CHILDREN AWAY ALL visitors should be kept safe distance from work area.
 6. MAKE WORKSHOP KID PROOF with padlocks, master switches, or by re moving starter keys.
 7. DON'T FORCE TOOL. It will do the job better and safer at the rate for which it was designed.
 8. USE RIGHT TOOL. Don't force tool or attachment to do a job for which it was not designed.
 9. WEAR PROPER APPAREL. Wear no loose clothing, gloves, neckties, rings, bracelets, or other jewelry which may get caught in moving parts. Nonslip footwear is recommended. Wear protective hair covering to contain long hair. Exception: the reference to gloves may be omitted from the instructions for a grinder.
 10. ALWAYS USE SAFETY GLASSES. Also use face or dust mask if cutting operation is dusty. Everyday eyeglasses only have impact resistant lenses, they are NOT safety glasses.
 11. SECURE WORK. Use clamps or a vise to hold work when practical. It's safer than using your hand and it frees both hands to operate tool.
 12. DON'T OVERREACH. Keep proper footing and balance at all times.
 13. MAINTAIN TOOLS WITH CARE. Keep tools sharp and clean for best and safest performance. Follow instructions for lubricating and changing accessories.
 14. DISCONNECT TOOLS before servicing changing accessories, such as blades, bits, cutters, and the like.
 15. REDUCE THE RISK OF UNINTENTIONAL STARTING. Make sure switch is in off position before plugging in.
 16. USE RECOMMENDED ACCESSORIES. Consult the owner's manual for recommended accessories. The use of improper accessories may cause risk of injury to persons.
 17. NEVER STAND ON TOOL. Serious injury could occur if the tool is tipped or if the cutting tool is unintentionally contacted.
 18. CHECK DAMAGED PARTS. Before further use of the tool, a guard or other part that is damaged should be carefully checked to determine that it will operate properly and perform its intended function – check for alignment of moving parts, binding of moving parts, breakage of parts, mounting, and any other conditions that may affect its operation. A guard or other part that is damaged should be properly repaired or replaced.
 19. DIRECTION OF FEED. Feed work into a blade or cutter against the direction of rotation of the blade or cutter only.
 20. NEVER LEAVE TOOL RUNNING UNATTENDED TURN POWER OFF. Don't leave tool until it comes to a complete stop.

A. GROUNDING INSTRUCTIONS

1. All grounded, cord-connected tools: in the event of a malfunction or breakdown, grounding provides a path of least resistance for electric current to reduce the risk of electric shock. This tool is equipped with an electric cord having an equipment-grounding conductor and a grounding plug. The plug must be plugged into a matching outlet that is properly installed and grounded in accordance with all local codes and ordinances.

Do not modify the plug provided - if it will not fit the outlet, have the proper outlet installed by a qualified electrician. Improper connection of the equipment-grounding conductor can result in a risk of electric shock. The conductor with insulation having an outer surface that is green with or without yellow stripes is the equipment-grounding conductor. If repair or replacement of the electric cord or plug is necessary, do not connect the equipment-grounding conductor to a live terminal.

Check with a qualified electrician or service personnel if the grounding instructions are not completely understood or if in doubt as to whether the tool is properly grounded. Use only 3-wire extension cords that have 3-prong grounding plugs and 3-pole receptacles that accept the tool's plug. Repair or replace damage or worn cord immediately.
2. Grounded, cord-connected tools intended for use on a supply circuit having a nominal rating less than 150 volts.

This tool is intended for use on a circuit that has an outlet that looks like the one illustrated in Sketch A in Figure. The tool has a grounding plug that looks like the plug illustrated in Sketch A in Figure.

A temporary adapter, which looks like the adapter illustrated in Sketches B and C, may be used to connect this plug to a 2-pole receptacle as shown in Sketch B if a properly grounded outlet is not available. The temporary adapter should be used only until a properly grounded outlet can be installed by a qualified electrician. The green-colored rigid ear, plug, and the like extending from the adapter must be connected to a permanent ground such as a properly grounded outlet box.
3. Grounded, cord-connected tools intended for use on a supply circuit having a nominal rating between 150-250 volts, inclusive:

This tool is intended for use on a circuit that has an outlet that looks like the one illustrated in Sketch D in Figure. The tool has a grounding plug that looks like the plug illustrated in Sketch D in Figure.

Make sure the tool is connected to an outlet having the same configuration as the plug. No adapter is available or should be used with this tool. If the tool must be reconnected for use on a different type of electric circuit, the reconnection should be made by qualified service personnel; and after reconnection, the tool should comply with all local code and ordinances.

GROUNDING METHODS

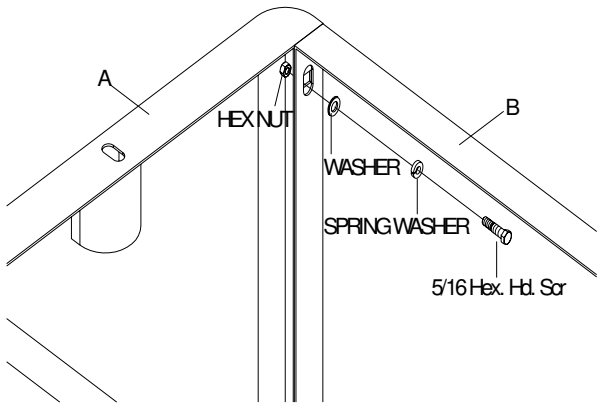
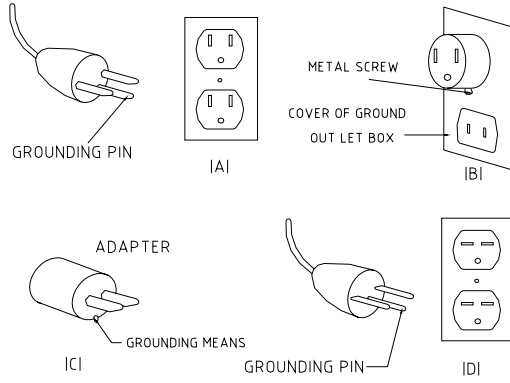


Fig: 1

The way to change sand band

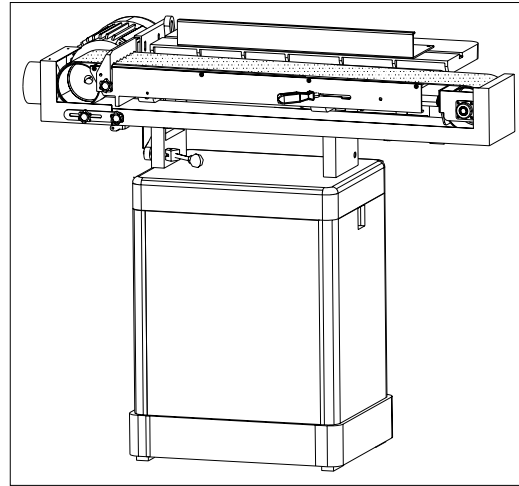


Fig: 3

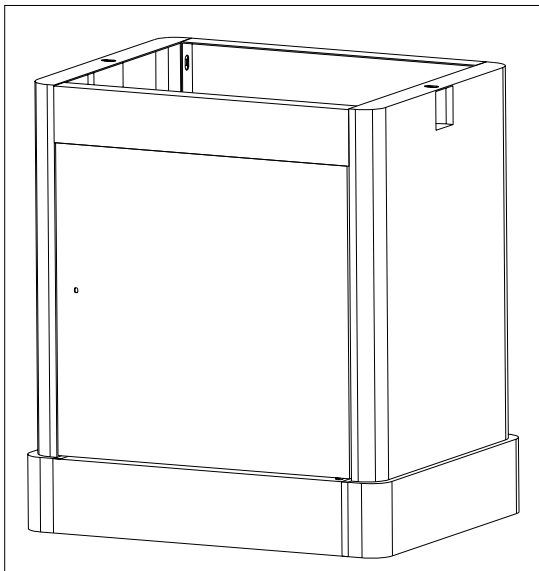


Fig: 2

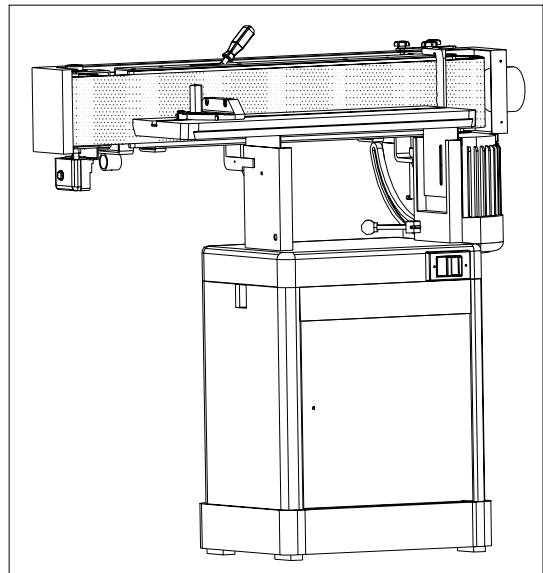


Fig: 4

1. STAND ASSEMBLY : CLAMP PART(A) AND PART(B) BY HEX NUT , WASER, SPRING WASER AND SCREW. SEE.FIG.1
2. STAND ASSEMBLY ,SEE FIG.2

1. SANDING TABLE CAN BE ADJUSTED 90

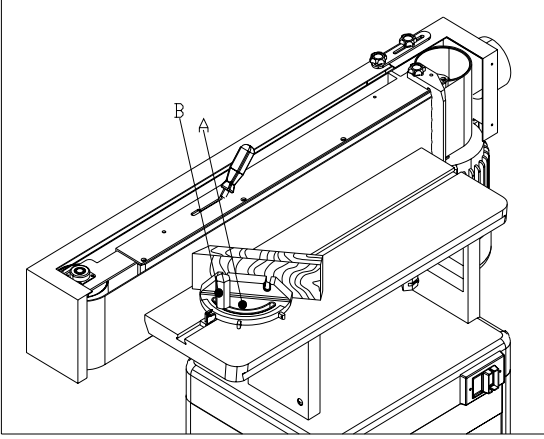
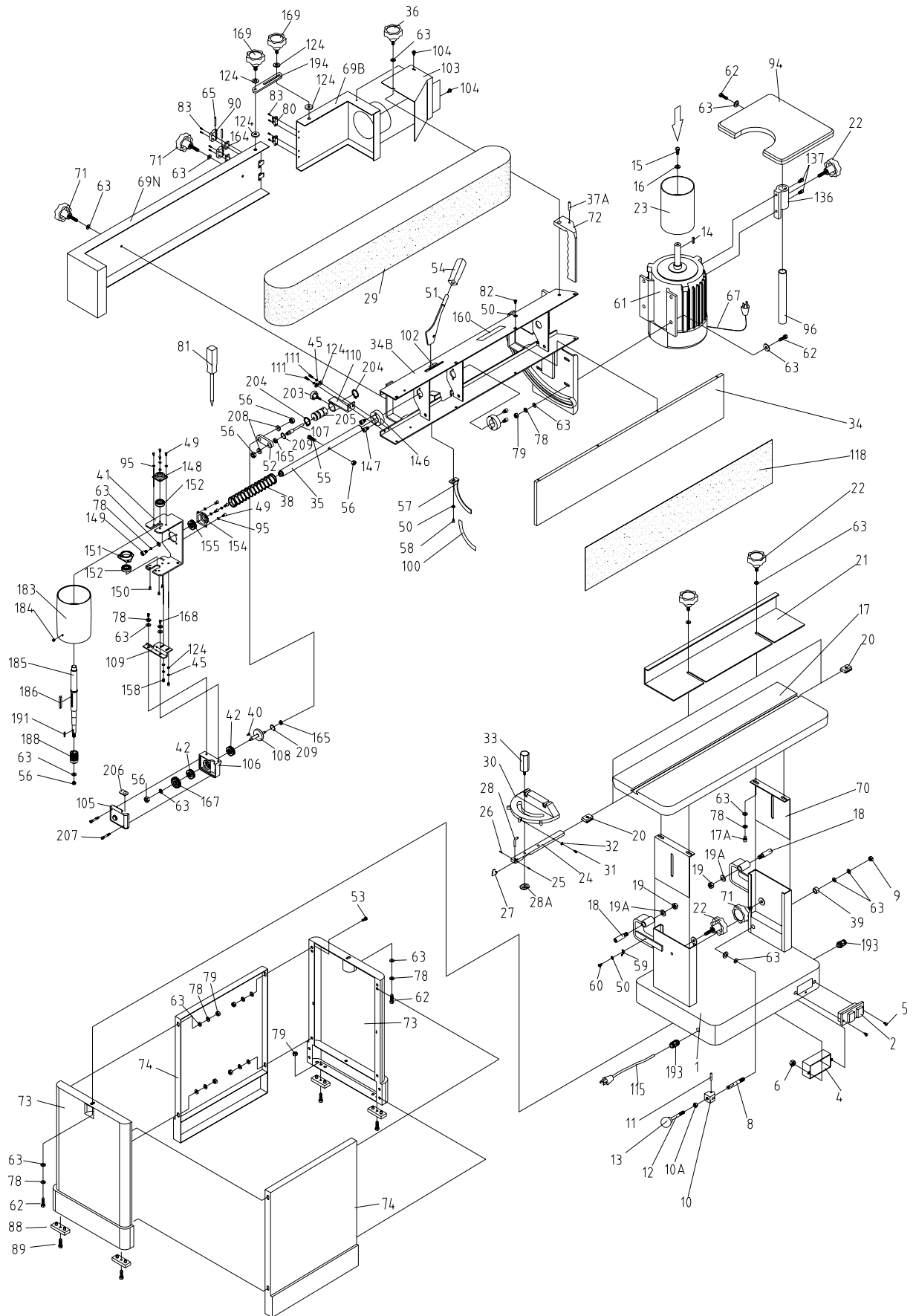


Fig: 5

1. MITER GAUGE (A) CAN BE ADJUSTED 45

BOY-80S



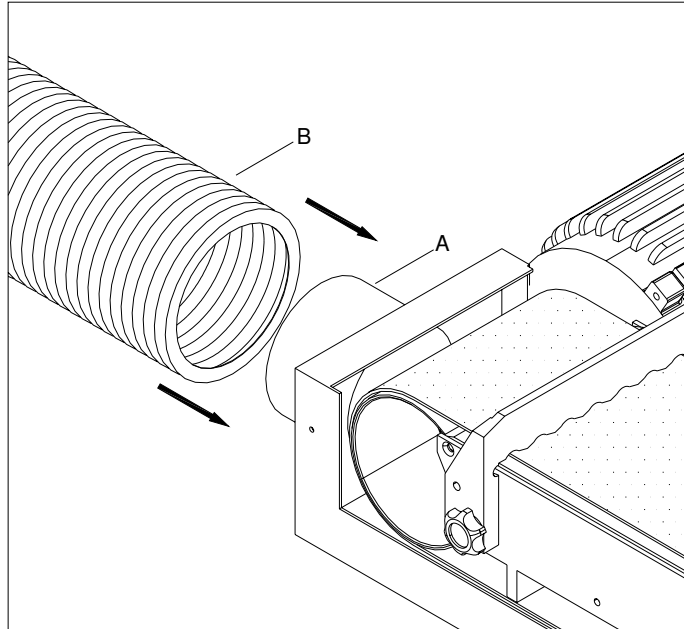
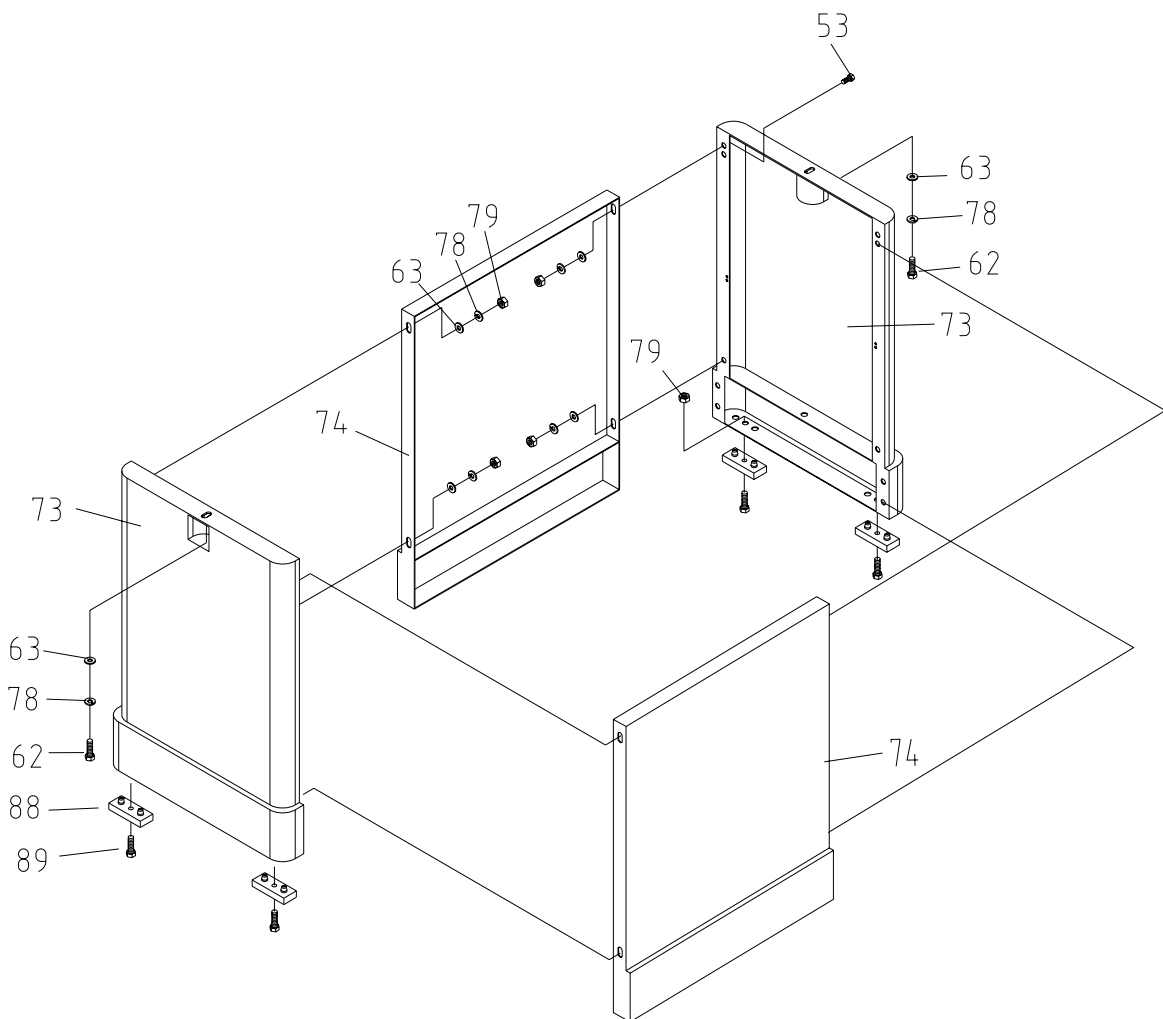


Fig: 9

MAKE SURE DUST HOOD(A) AND HOSE(B) ARE CLAMPED.



PART NO.	REFENCE NO.	DESCRIPTION	Q'TY
1	20101001B	CABINET	1
2	W0000006	MAGANETIC SWITCH	1
4	10105052P	SWITCH BOX	1
5	S0030324	RD.HD.SCR 3/16"*24*1-1/2	2
6	S0110300	HEX.NUT3/16"-24UNC	2
8	20101005	WORK TABLE BRACK	1
9	S0120380	LOCK NUT 3/8"-16UNC	1
10	20101007	CAM ECCENTRIC	1
10A	S0110600	HEX.NUT 3/8"-16UNC	1
11	S0310525	PIN 5*25	1
12	10102024	LOCK HANDLE 3/8"-16UNC	1
13	10102023	HAND KNOB	1
14	S0400525	KEY 5*5*25	1
15	S0020416	HD.HEX.SCR. 1/4"*20UNC*1"	1
16	S0210404	FLAT WASHER 1/4"*23	1
17	20101011A	TABLE	1
17A	S0020510	CAP SCR.5/16"*18UNC*5/8"	4
18	20101065	SPECIAL SCR.	2
19	S0111000M	NUT M10	2
19A	S0230308	SPRING WASHER 3/8"	2
20	20101013	GUIDE BLOCK	2
21	20101014	FENCE	1
22	20101015	KNOB BOLT 8*12	4
23	20101016	MOTOR ROLLER	1
24	20102017	GUIDE BAR	1
25	S0310306	PIN 3*6	1
26	S0050404	SET SCR. 1/4"*20UNC*1/4"	1
27	10104049Q	POSITION PLATE	1
28	10104050	POINTER	1
28A	20102020	POSITION PLATE	1
29	20101022	SANDING BELT	1
30	10104046	MITER GAUGE BODY	1
31	S0030108	RD.HD.SCR. 5/32"*32UNC*1/2"	3
32	S0110100	HEX.NUT 5/32"-32UNC	3
33	10104045	HAND KNOB	1
34	21700001	SANDING TABLE	1
34B	21700002	SANDING TABLE STAND	1
35	21700037	ARBOR	1
36	20101039	KNOB BOLT 8*35	1

PART NO.	REFENCE NO.	DESCRIPTION	Q'TY
36	20101039	KNOB BOLT 8*35	1
37A	S0310640	PIN 6*40	1
38	21700004	SPRING 6*40	1
39	20101055	PARTITION RING	1
40	S0400410	KEY 4*4*10	1
41	21700005G	MOTOR ROLLER FRAME	1
42	C1106001	BEARING 6001ZZ	2
45	S0230400	SPRING WASHER 1/4"	2
49	S0030304	PHILIP HD SCR. 3/16"*24UNC*1/4"	4
50	S0220300	GEAR WASHER 3/16"	10
51	20101031	BELT REPLACING PLATE	1
52	21600041	CONNECTING ROD	1
53	S0060510	WING SCR. 5/16"	12
54	20101032a	SAND CLAMP HANDLE	1
55	S0020530	HD.HEX.SCR. 5/16"*18UNC*1-3/4"	1
56	S0120201	NYLON NUT 5/16"-18UNC	5
57	20101033	TILT SCALE	1
58	S0040301c	FLAT HD.SCR. 3/16*3/4	1
59	10102022	WIDTH POINTER	1
60	S0040300	FLAT HD.SCR. 3/16"*24UNC*3/8"	1
61	M0000000	MOTOR	1
62	S0020520	HD.HEX.SCR 5/16"*18UNC*1-1/4"	5
63	S0210500c	FLAT WASHER 5/16"*18*2T	40
65	90100064	PLUG	2
67	L0000154a	ELECTRIC CORD	1
69B	21700014	BELT COVER	1
69N	21700013	DUST COVER	1
70	20101002	LIFTING PLATE	2
71	20101024	KNOB BOLT 8*20	3
72	20101040	BRACKET	1
73	20104054G	STAND (RIGHT & RIGHT)	2
74	20104053	PARTITION	2
78	S0230506	SPRING WASHER	22
79	S0110500	HD.HEX.SCR 5/16"-18UNC	24
80	90100063	FLEXIBLE PLATE	2
81	20103044	DRIVER WRENCH	1
82	S0040512M	FLAT HD.SCR. M5	8
83	S0040420M	FLAT HD.SCR. 4*20	8
88	10401029	RUBBER FEET	4

PART NO.	REFENCE NO.	DESCRIPTION	Q'TY
89	S0090512	RD.HD.SCR 5/16"-18*3/4"	4
90	90100062	FIXED BASE	2
94	20101051	EXTENSION TABLE	1
95	S0230300	SPRING WASHER 3/16"	10
96	20101050	SUPPORTING ROD	1
100	J0000102	SCALE	1
102	I2000009	LABEL	1
103	21700038k	DUST COVER	1
104	S0030304	PHILIP HD.SCR. 3/16"*24UNC*1/4"	3
105	21700023	TRUBINE COVER	1
106	21700024	TRUBINE BASE	1
107	21700030	CONNECTING ARBOR	1
108	21600039	TRUBINE ARBOR	1
109	21700028	TRUBINE FIXED BASE	1
110	21700027A	CAM BRACKET	1
111	S0010420	CAP SCR.1/4"*20UNC*1-1/4"	2
115	L0000005	ELECTRIC CORD	1
118	20101048a	GRAPHITE PAD	1
124	S0210401	FLAT WASHER 1/4"	6
136	21700018	SUPPORTING BASE	1
137	S0010308	CAP SCR. 3/16"*3/8"	2
146	21700025	FIXED LOOP	2
147	S0010520M	CAP SCR. M5	4
148	20900049	BEARING COVER 6202	1
149	S0020501	HEX.HD.SCR. 5/16"*18UNC*1"	1
150	S0040412M	FLAT HD.SCR. 4*12	3
151	21700017	BEARING BASE	1
152	C1206202	BEARING 6202	2
154	21700046	BEARING COVER 6003	1
155	C1106003	BEARING 6003	1
158	S0010409	CAP SCR. 1/4"*20UNC*1/2"	2
160	I2000010	LABEL	1
164	21700031	PAD	2
165	C1106800	BEARING 6800ZZ	2
167	21700010	WORM GEAR	1
168	S0010510	CAP SCR. 5/16"*18UNC*5/8"	2
169	50207004	KNOB BOLT	2
183	21700008	DRIVEN ROLLER	1
184	S0050606M	SOC.SET.SCR. 6*6	2

PART NO.	REFENCE NO.	DESCRIPTION	Q'TY
185	21700051G	DRIVEN ROLLER ARBOR	1
186	S0400540	KEY 5*5*40	1
188	21700009	WORM	1
191	S0400425	KEY 4*4*25	1
193	W1017W-2	STRAIN RELIEF BUSHING	2
194	21700032	JOIN PLATE	1
199	I2170001	MANUAL	1
203	11108024	KNOB BOLT	1
204	S0520030	RING STW-30	2
205	21700056	CAM ECCENTRIC	1
206	21700054G	SPONGE PLATE	1
207	S0010540M	CAP SCR. 5*40	2
208	21600025	CONNECTING ROD	2
209	S0530019	RING R-19	2
210	S0050505	SET SCREW 5/16"-3/4L"	2

LAGUNA

2072 Alton Parkway. Irvine, CA 92606
Ph: 800.234.1976 | www.lagunatools.com

Laguna Tools is not responsible for errors or omissions.
Specifications subject to change. Machines may be shown with optional accessories.

© 2018, Laguna Tools, Inc. LAGUNA® and the LAGUNA Logo® are the
registered trademarks of Laguna Tools, Inc. All rights reserved.