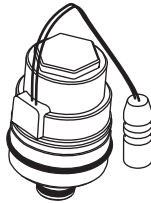


# Service



**Magnetventil / Solenoid valve**  
96904000 / 98854000

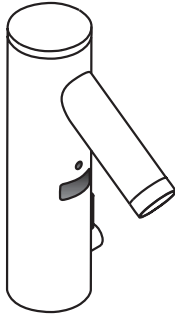


**Elektroeinheit**  
**Electronic unit**  
97139XXX

**hansgrohe**

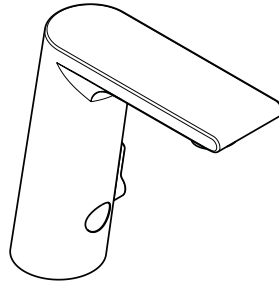
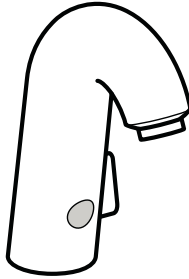
---

**Starck (6 Volt)**  
10100800 / 10105800



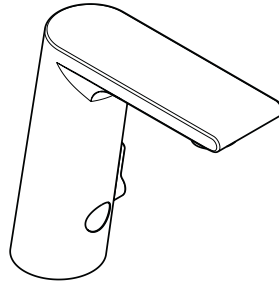
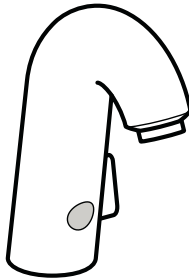
**3 - 6**

**Electronic (6 Volt)**  
15100XXX / 15101XXX /  
31100000 / 31101000



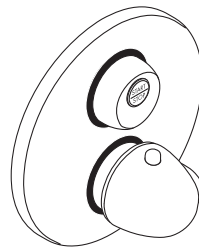
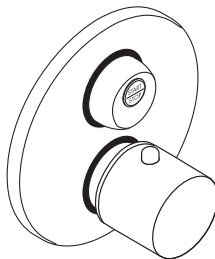
**7 - 9**

**Electronic (9 Volt)**  
15180XXX / 15181XXX /  
31102000 / 31103000



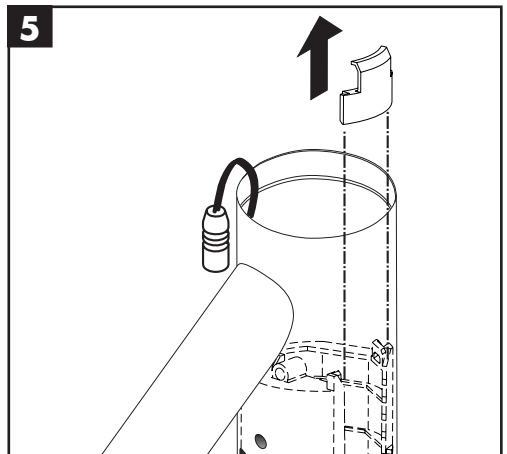
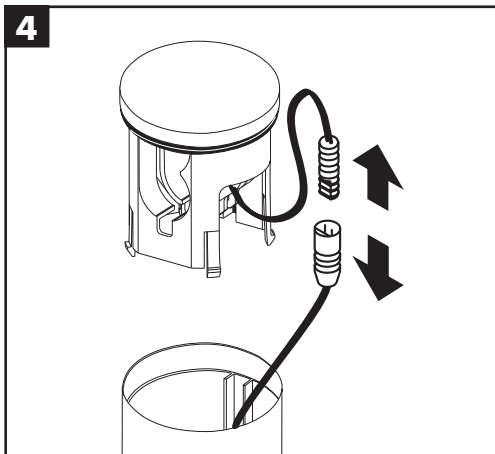
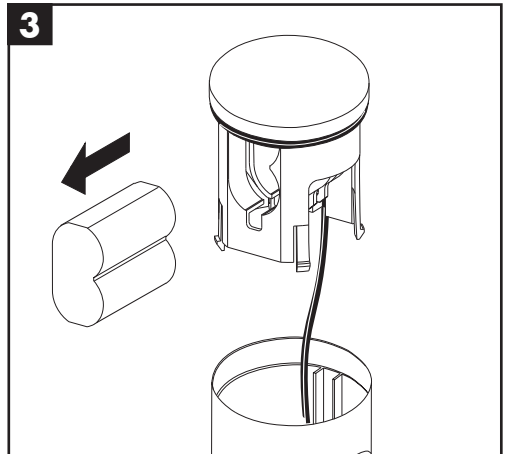
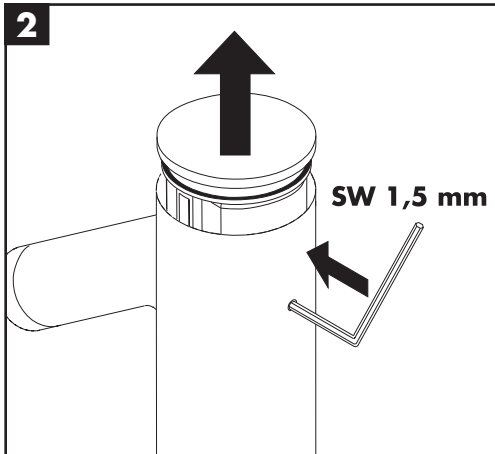
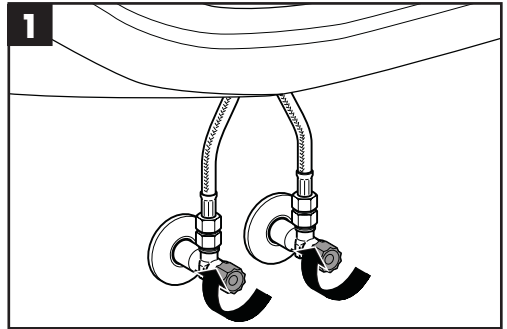
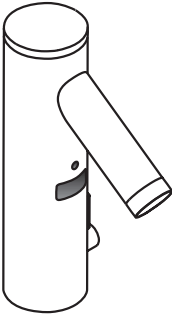
**10 - 12**

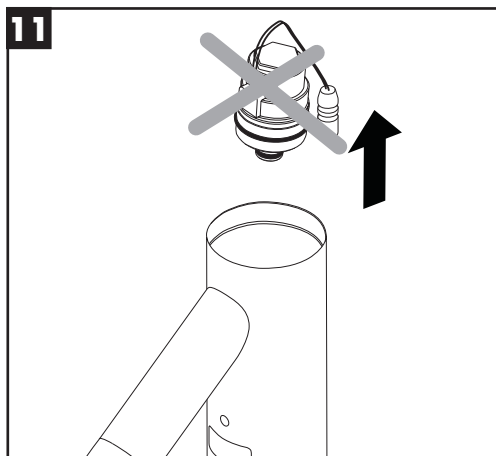
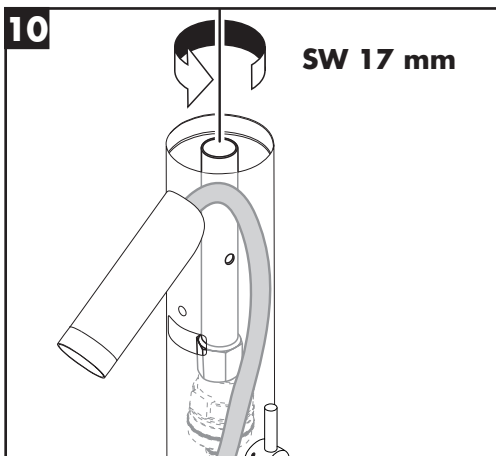
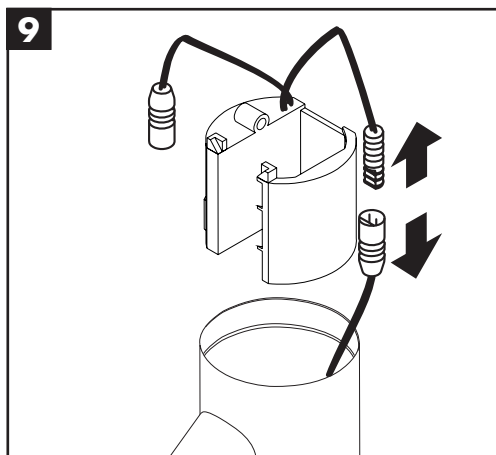
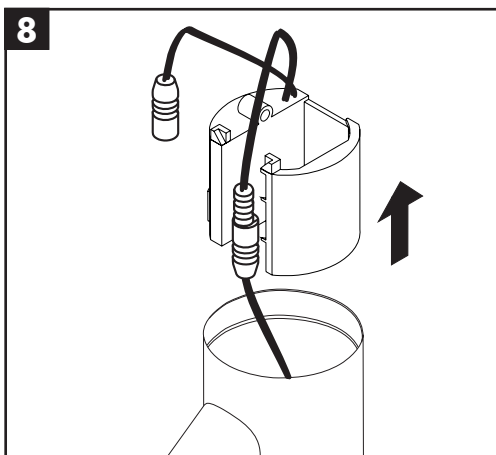
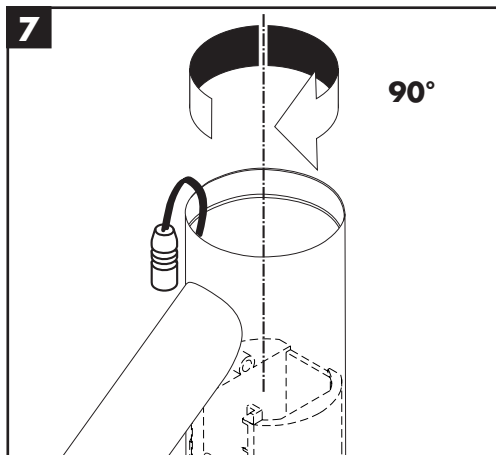
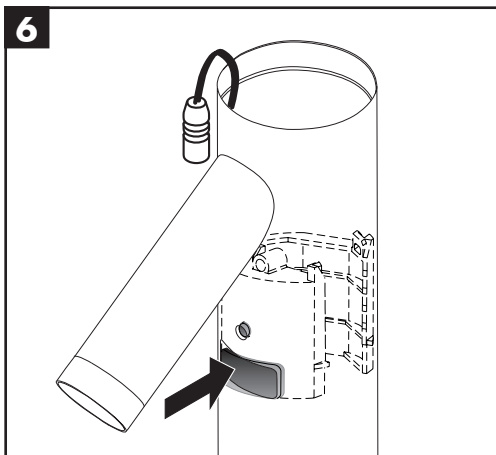
**Brausethermostat UP mit elektronischer Start- / Stop-Taste (6 Volt)**  
**Thermostatic Mixer with Electronic Start / Stop Button (6 Volt)**  
15740000 / 15740800

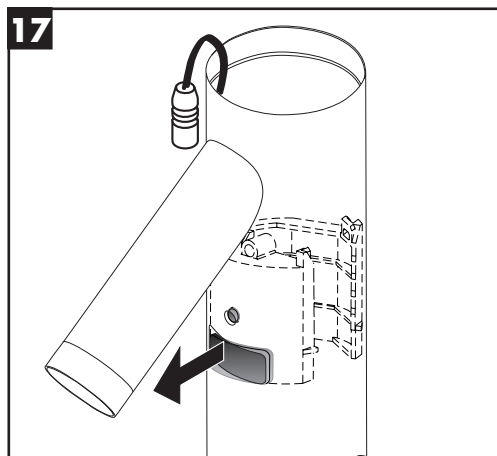
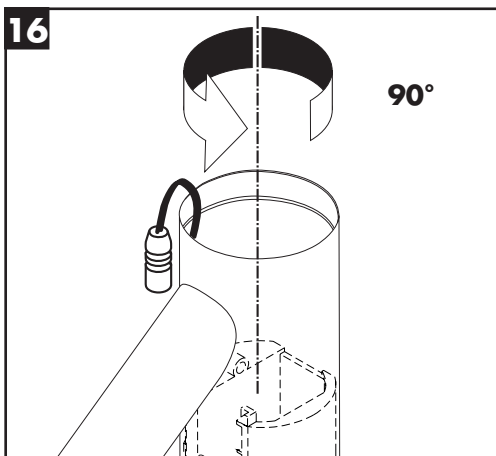
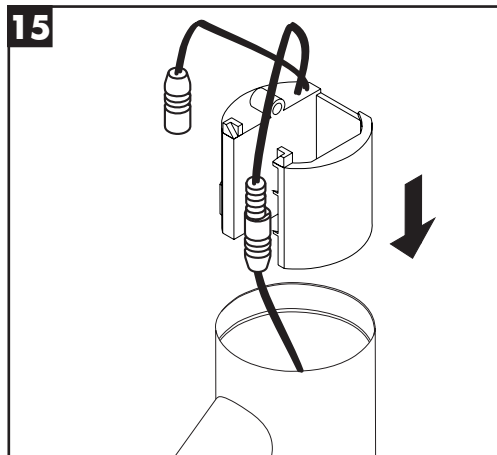
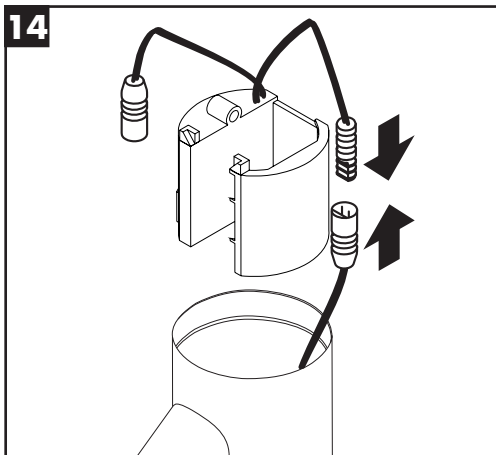
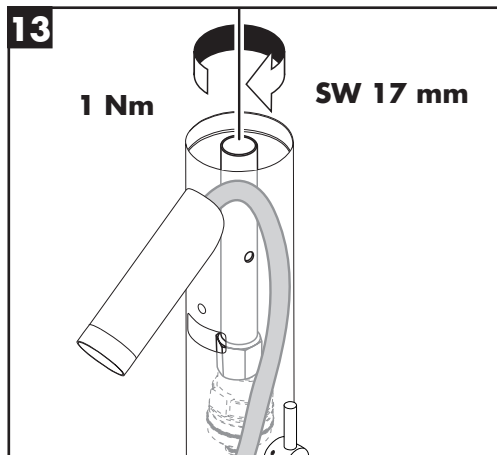
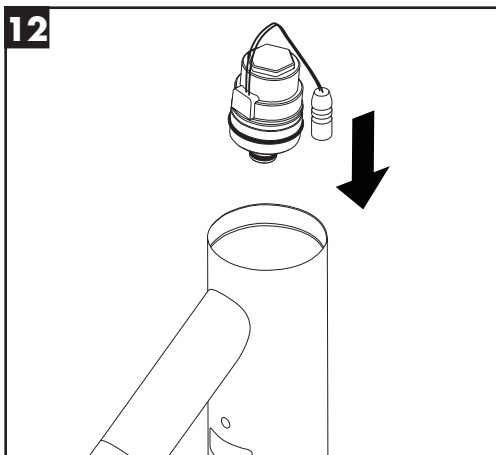


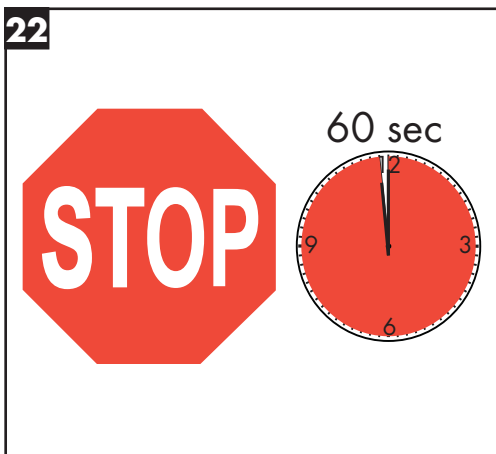
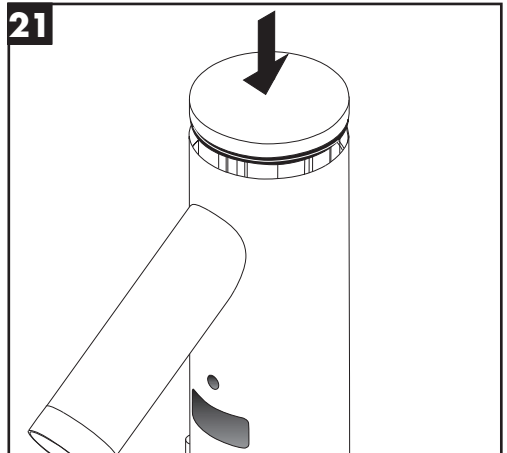
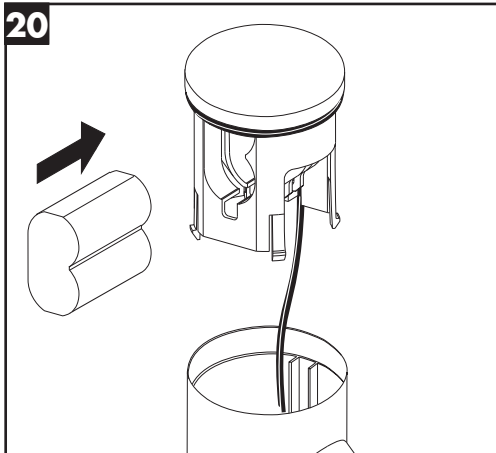
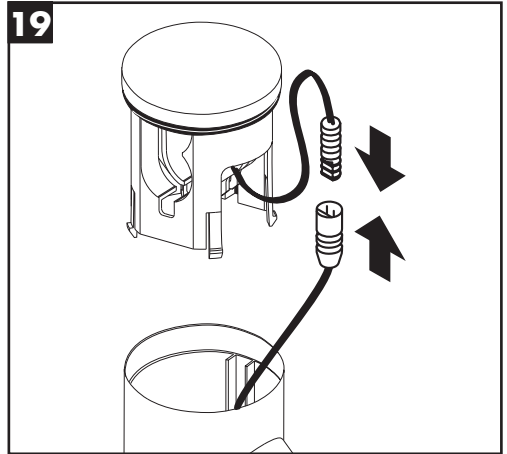
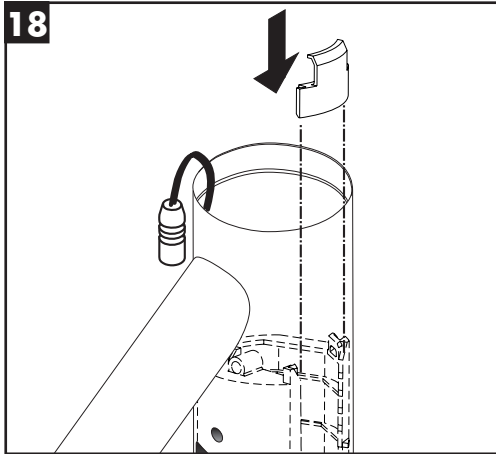
**13 - 15**

**Starck (6 Volt)**  
10100800 / 10105800



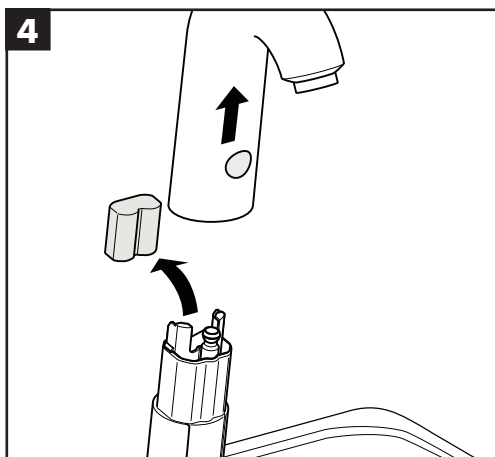
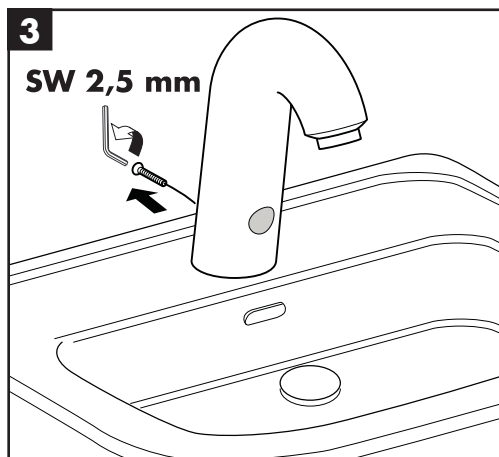
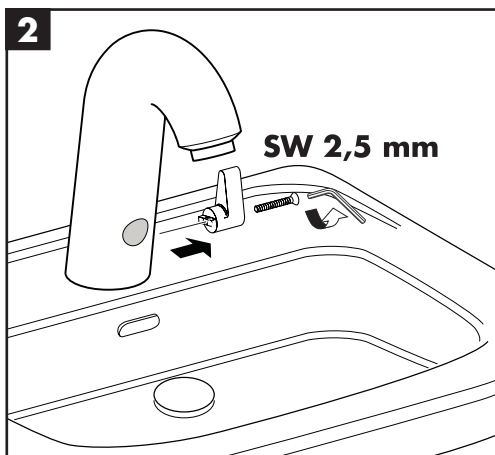
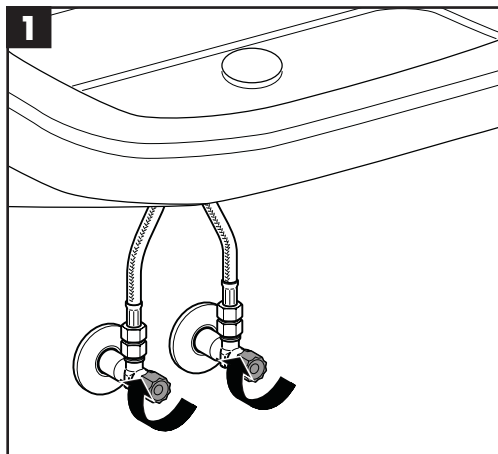
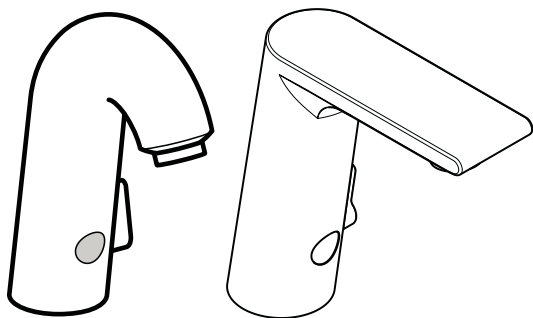


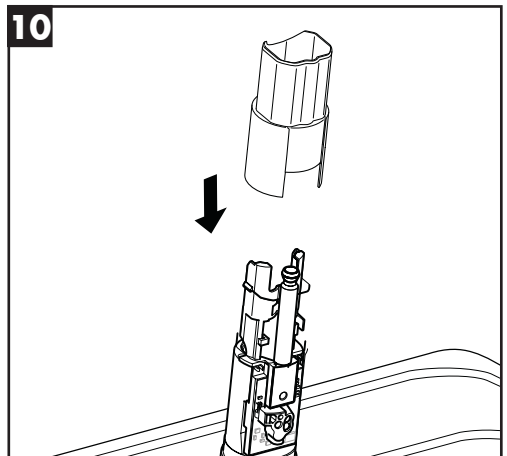
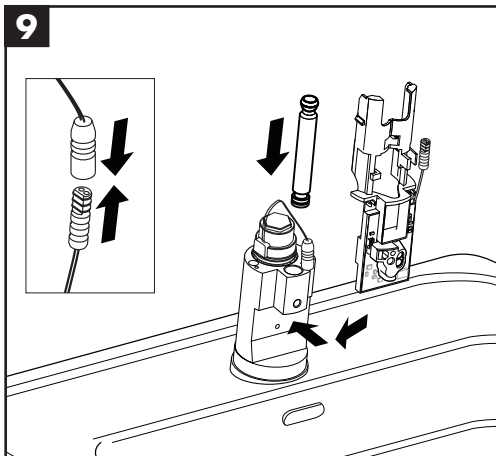
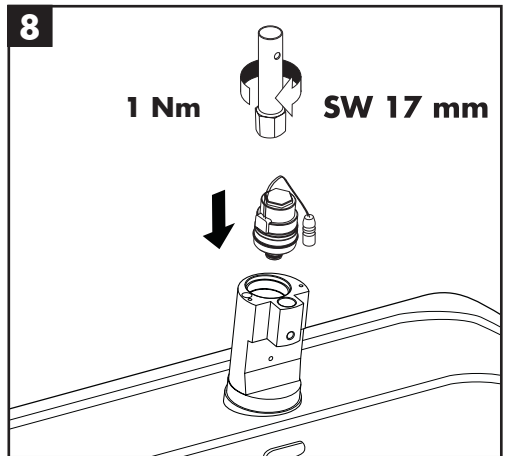
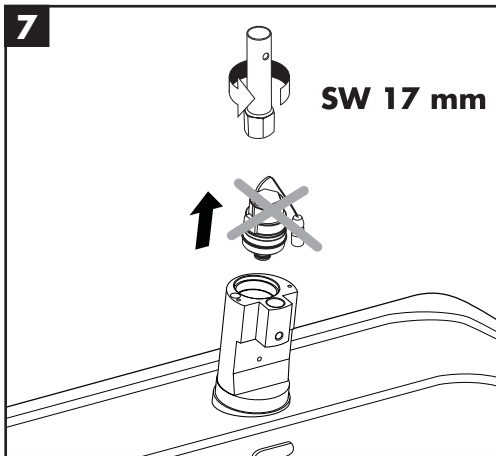
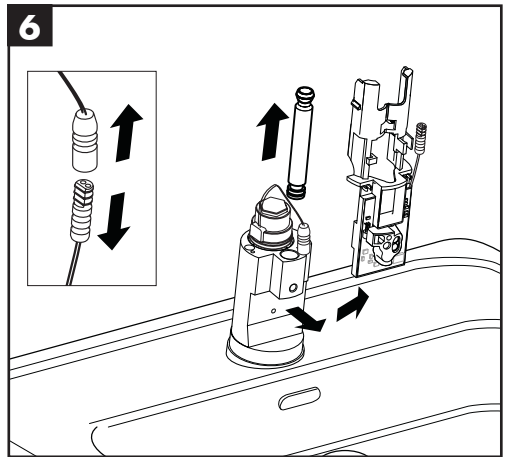
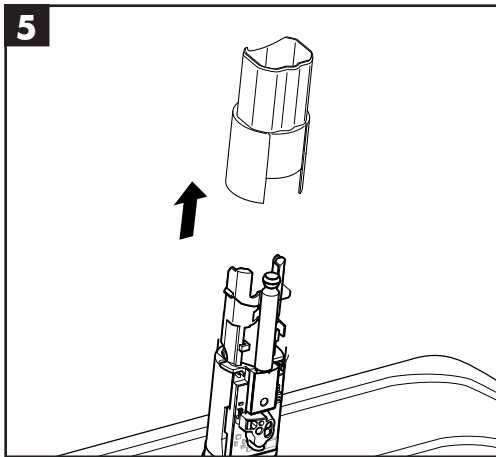




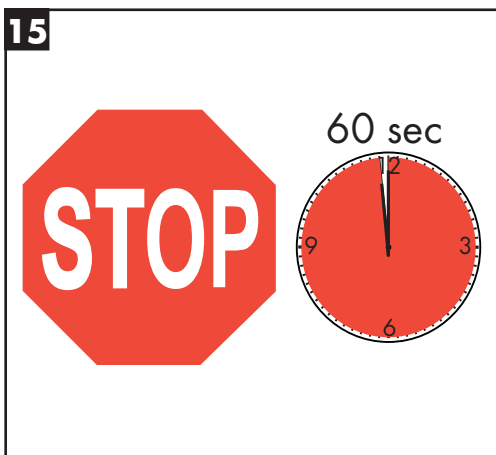
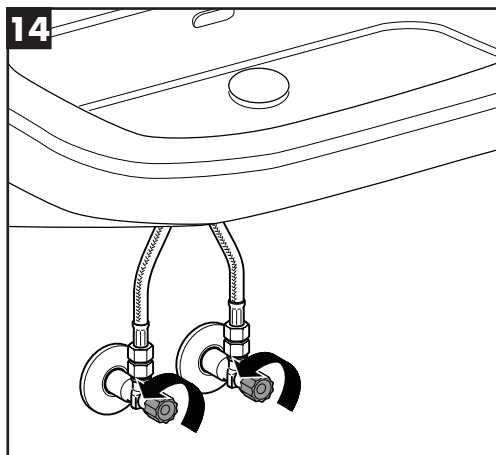
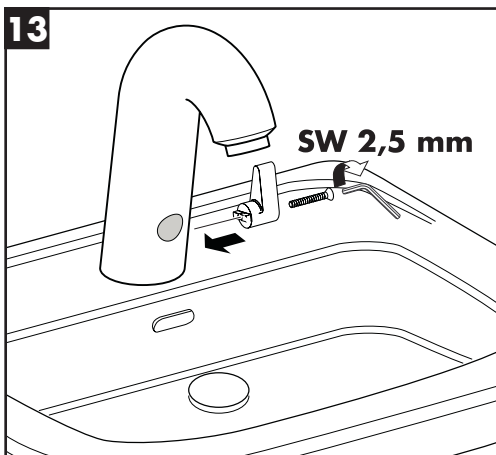
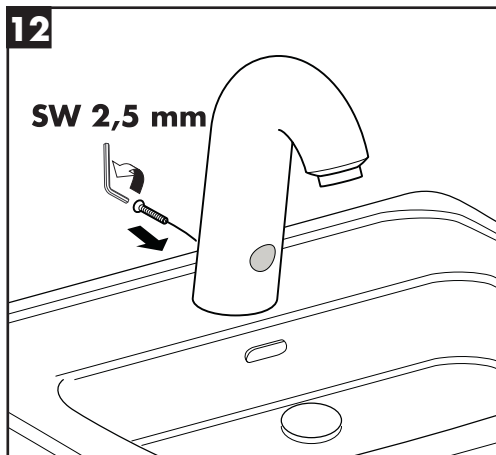
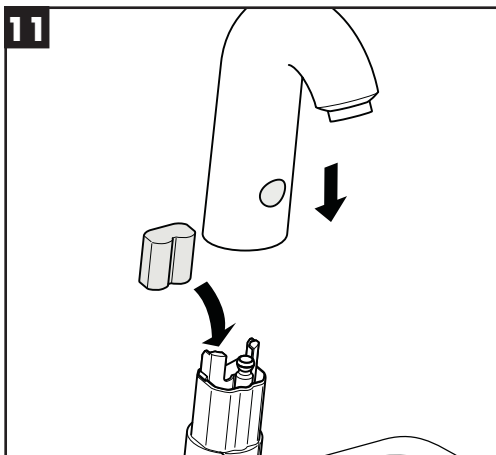
## Electronic (6 Volt)

15100XXX / 15101XXX / 31100000 / 31101000



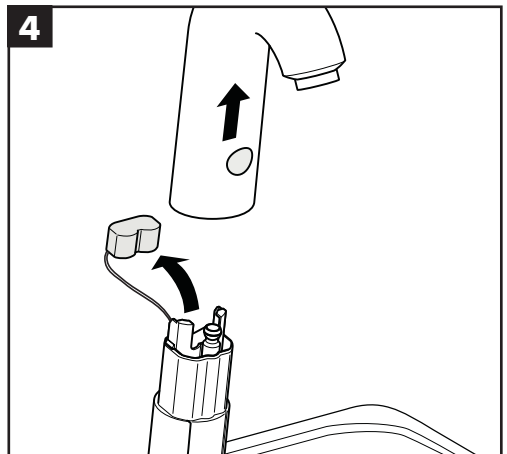
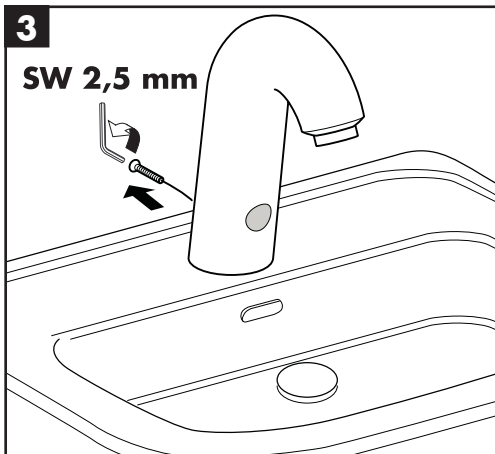
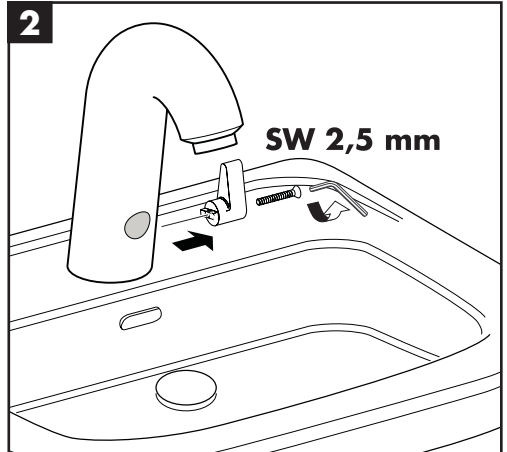
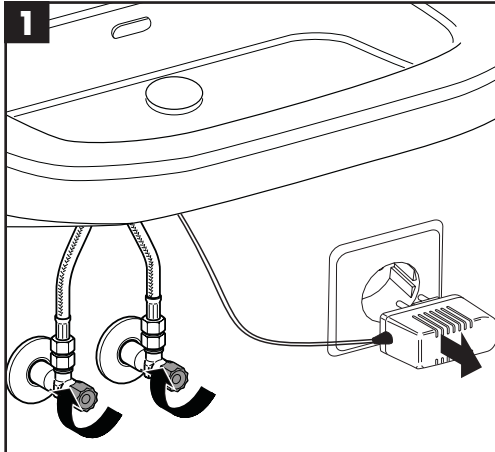
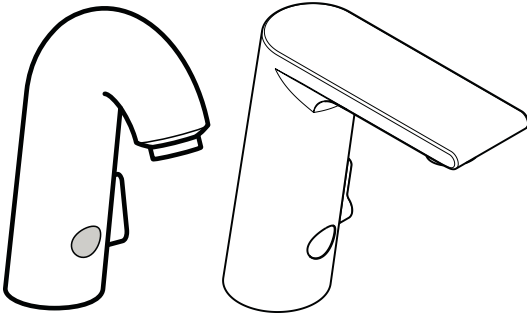


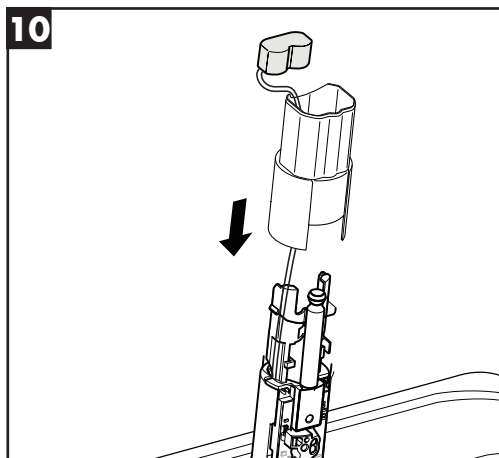
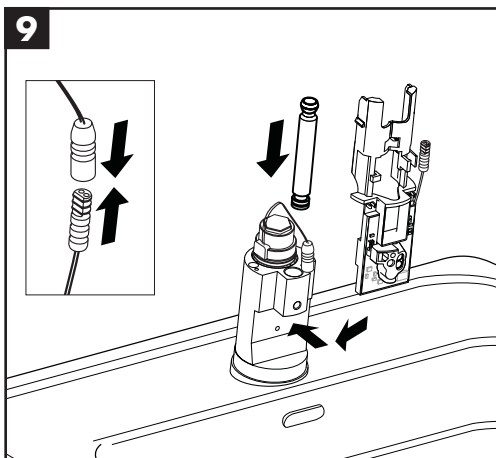
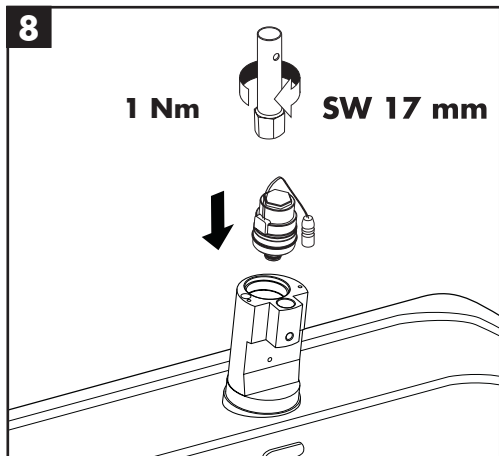
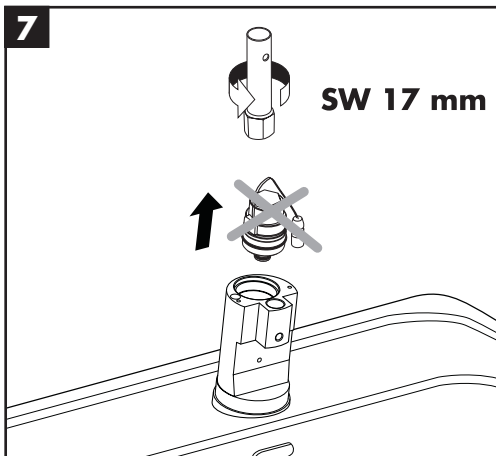
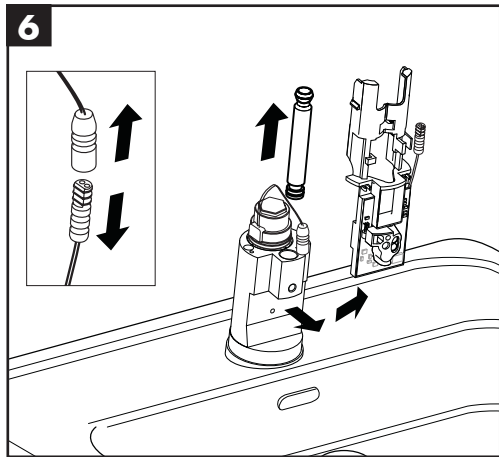
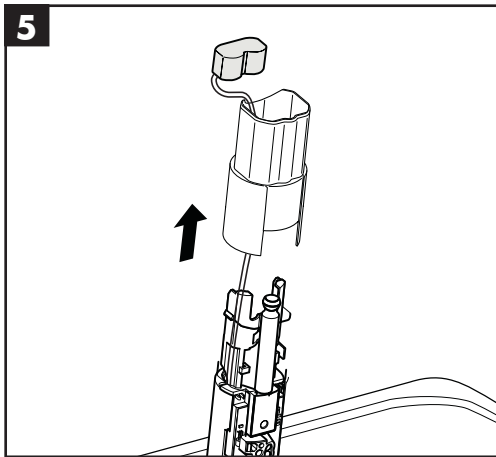


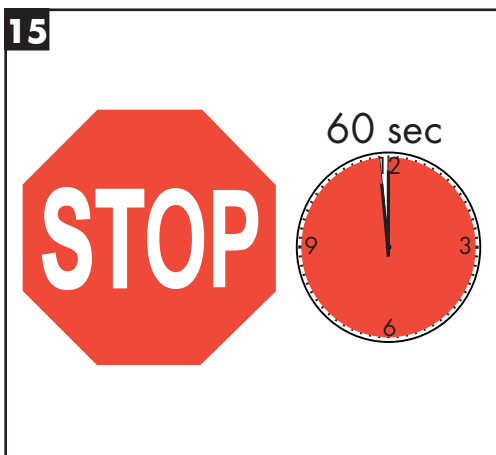
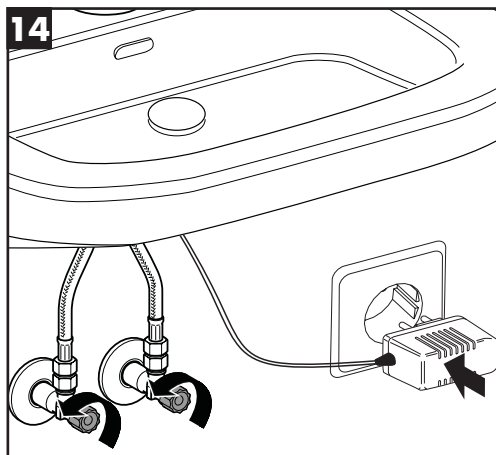
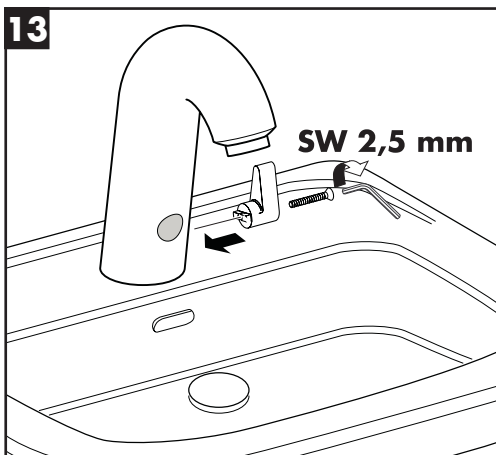
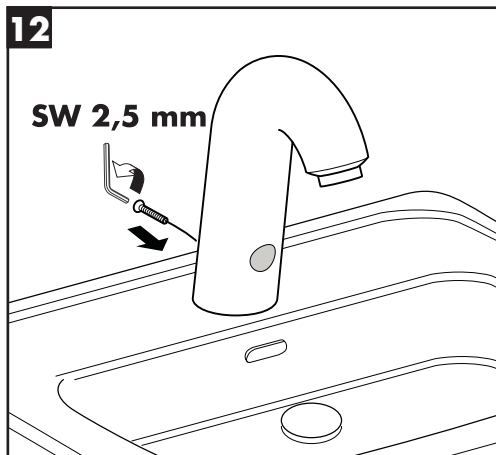
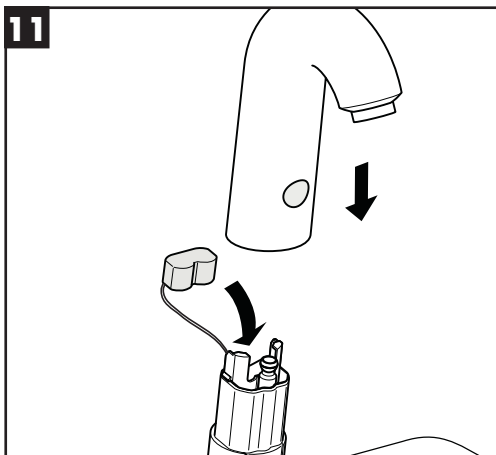


**Electronic (9 Volt)**

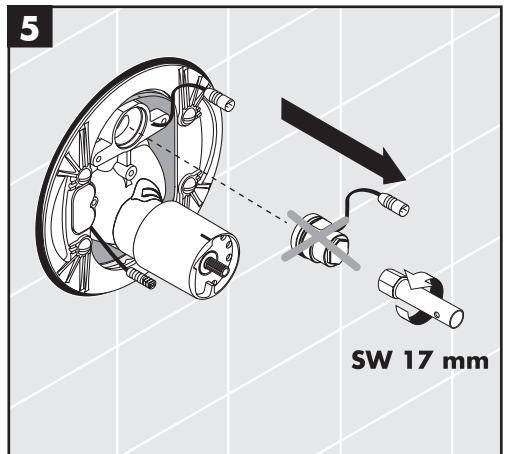
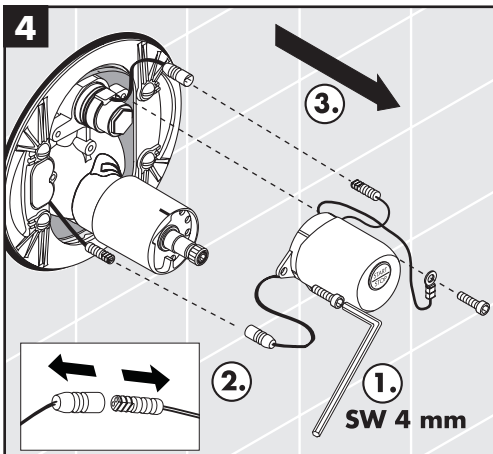
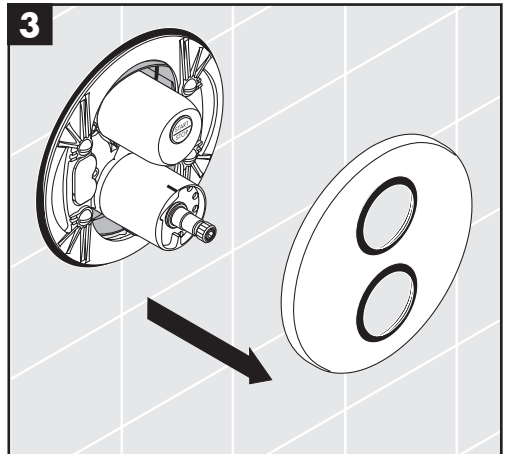
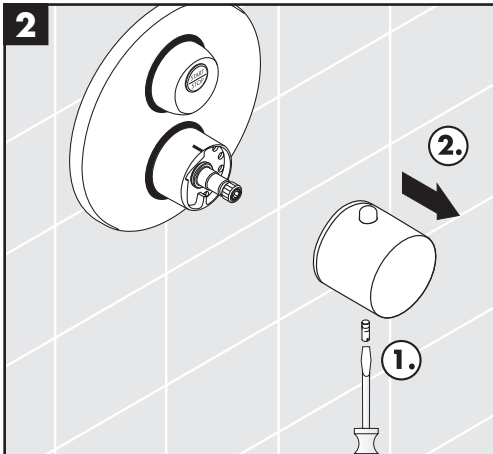
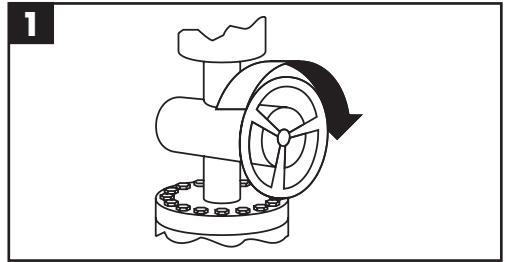
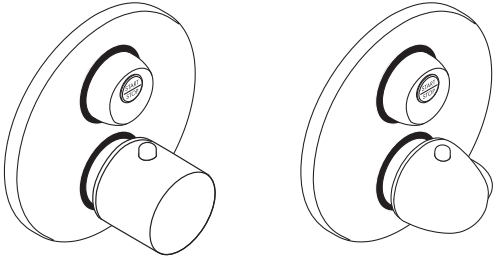
15180XXX / 15181XXX / 31102000 / 31103000

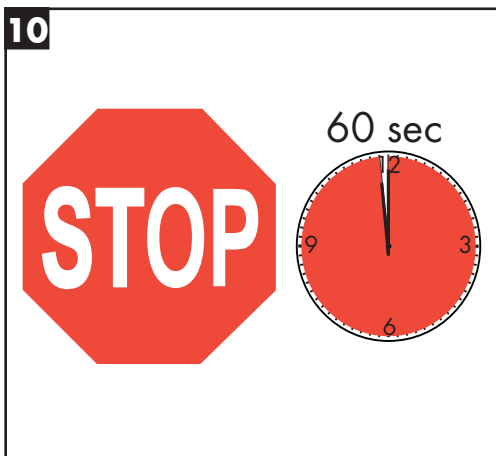
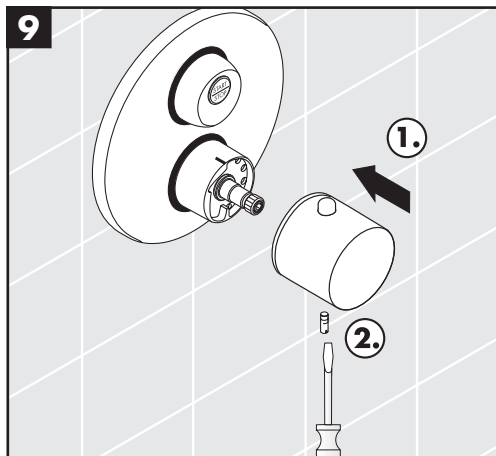
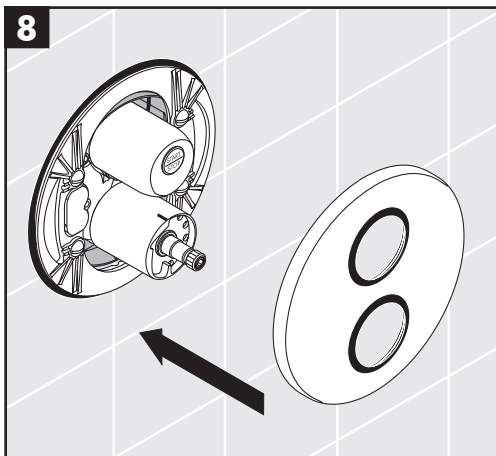
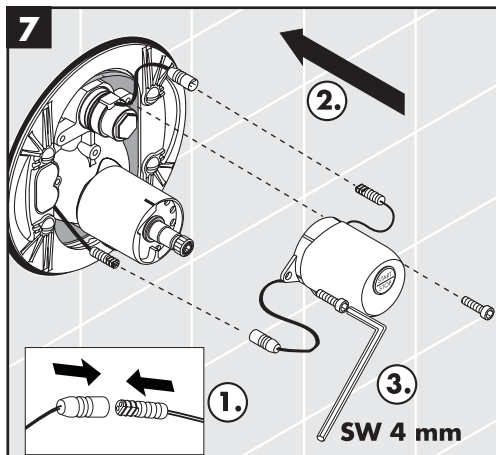
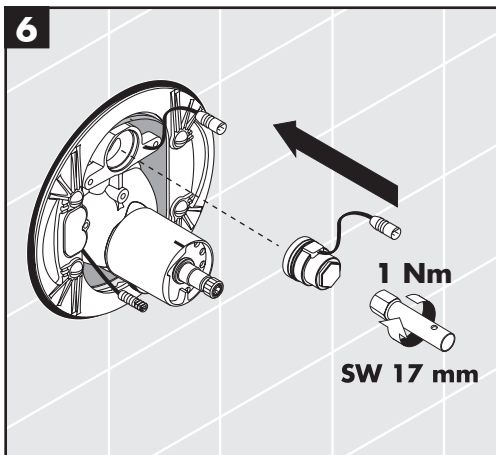


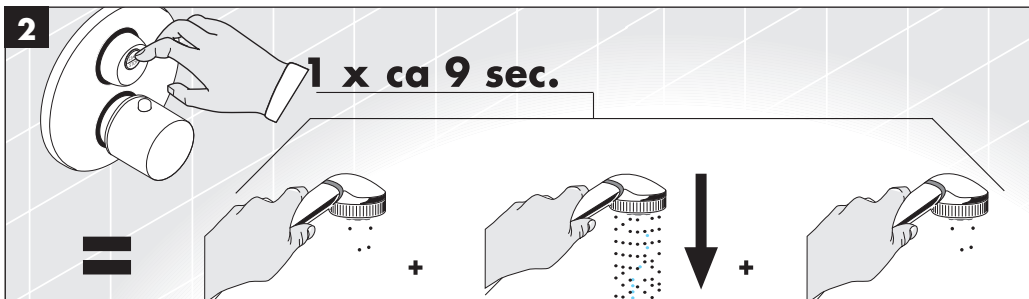
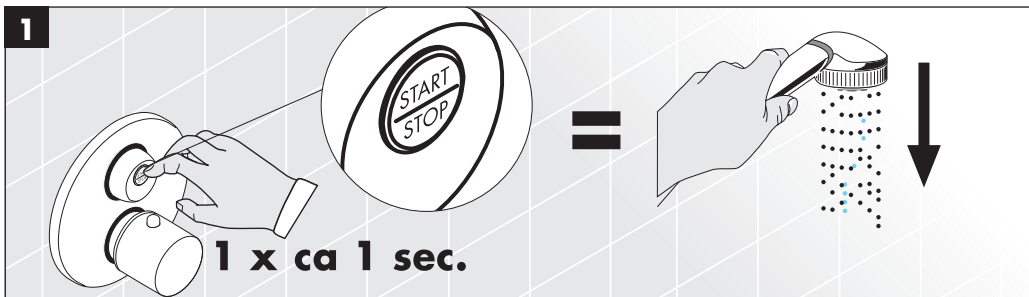




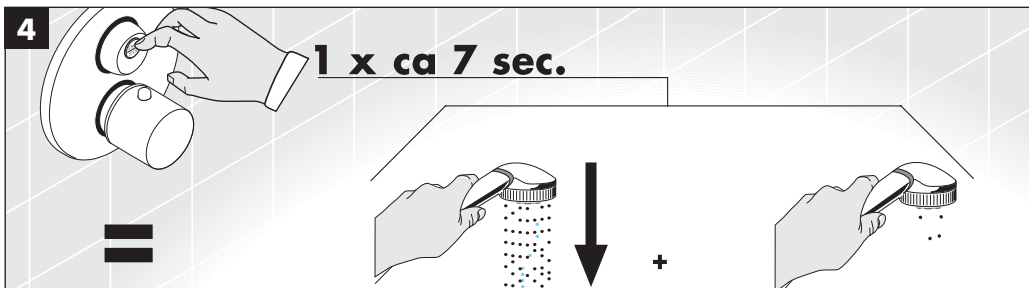
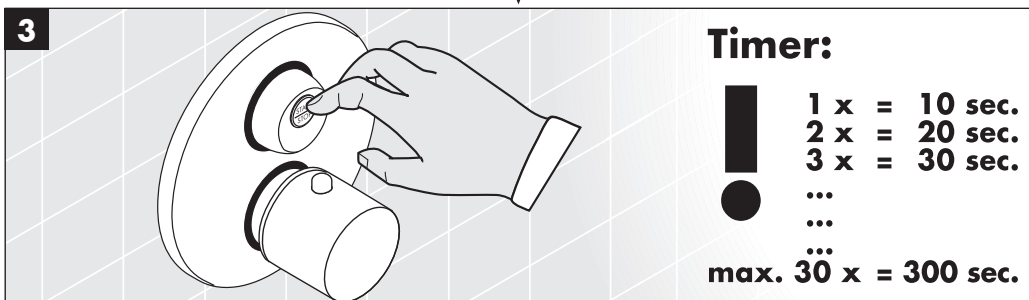
**Brausethermostat UP mit elektronischer Start- / Stop-Taste (6 Volt)**  
**Thermostatic Mixer with Electronic Start / Stop Button (6 Volt)**  
15740000 / 15740800

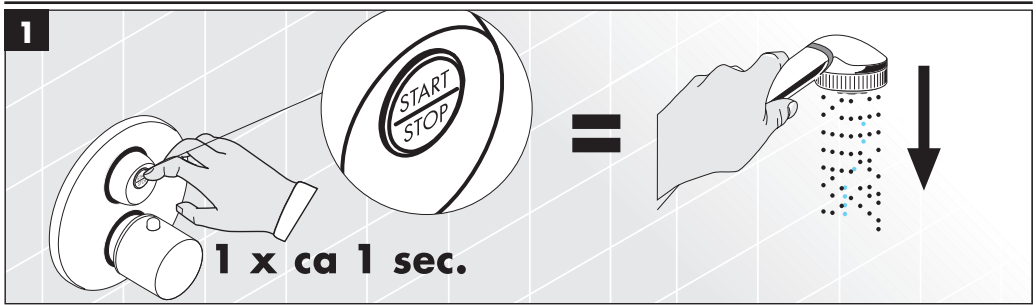




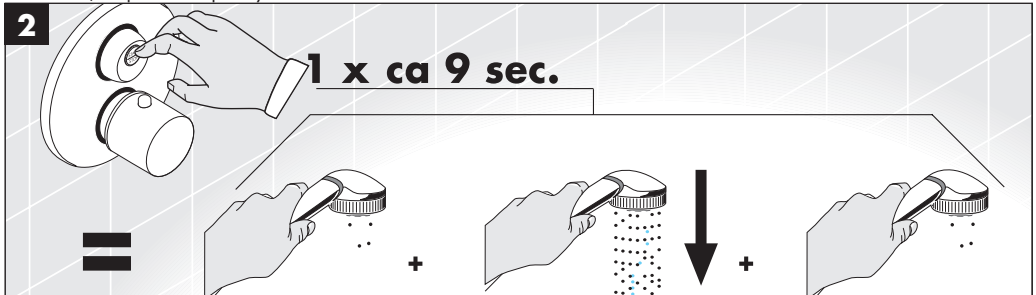


↓ **max. 3 sec.**



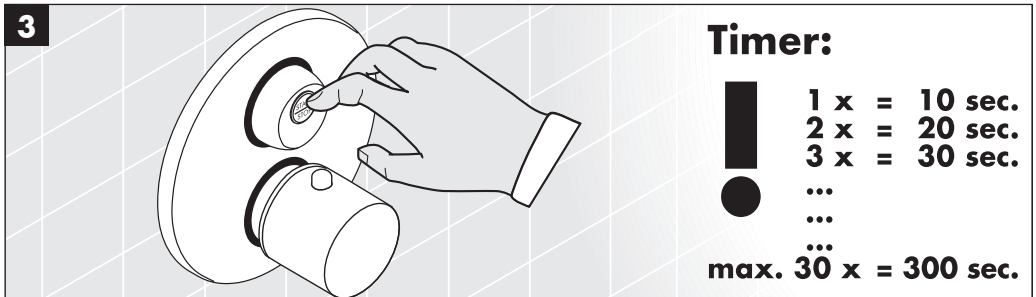


Press start/stop button quickly to activate mixer.

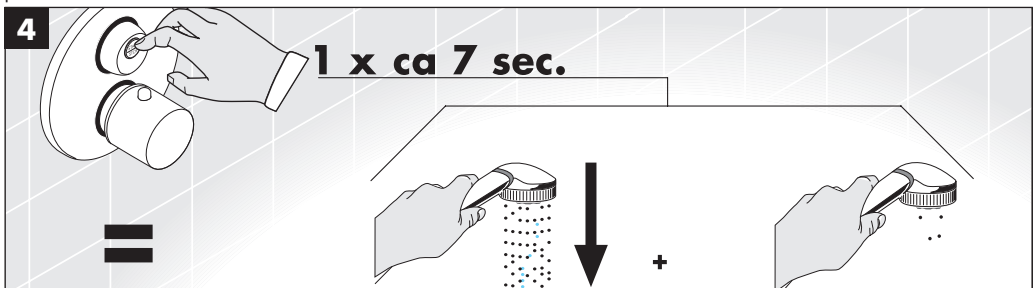


**Start:** Press start/stop button once again, hold until the mixer close by itself, it will start after a short periode of time again and stop once again by itself. Then let of the button.

↓ **max. 3 sec.**



**Programming:** After max. 3 seconds, press the start/stop button several times to increase the shower time. One press is about 10 seconds.



**Quit adjustment:** Press start/stop button until the mixer starts by itself and after a short periode of time it will stop by itself. Then let of the button.

**hansgrohe**