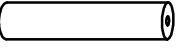



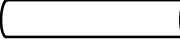



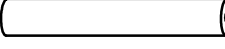
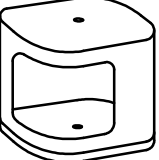






- | | | | | | | | |
|---|------------|---|----------------|---|---------------|---|------------------|
| 2 ×  | ∅ 9 × 35cm | 1 ×  | 40 × 30cm | 1 ×  | 50 × 30 × 8cm | 2 ×  | ∅ 10 × 60mm (A1) |
| 1 ×  | ∅ 9 × 39cm | 1 ×  | |  | | 1 ×  | 10 × 60mm |
| 1 ×  | ∅ 9 × 50cm | 1 ×  | 30 × 30 × 25cm | | | (6+1) ×  | ∅ 10 × 40mm (B) |
| 1 ×  | 50 × 40cm | | | | | 1 ×  | ∅ 10 × 35mm (D) |
| | | | | | | 2 ×  | |