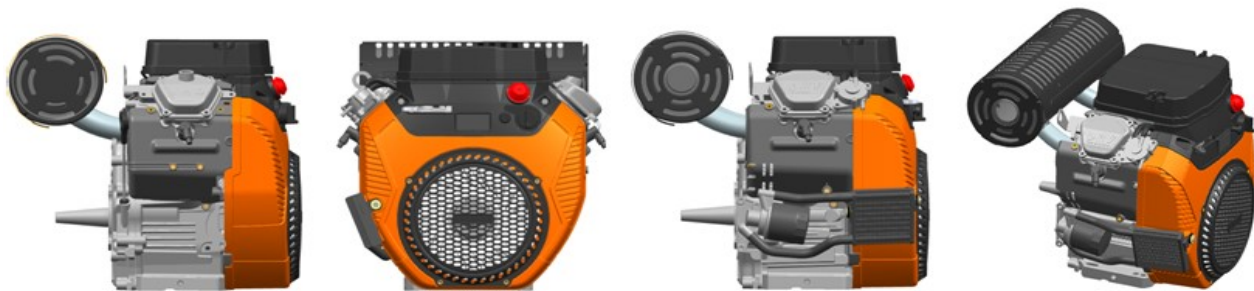
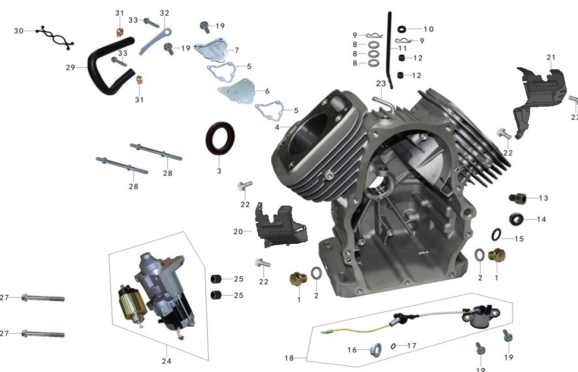


LF 2V80F (X1) 产品图册

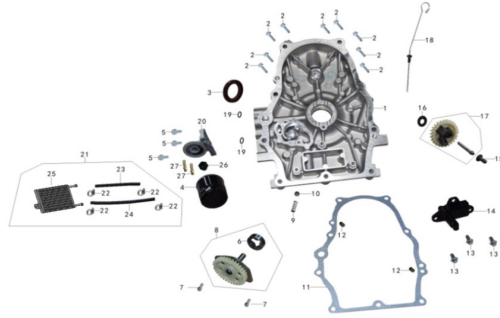


E-1 曲轴箱总成 CRANKCASE ASSY



Id	PartNo	PartName	Description	Quantity	Price
E01-01	11115-A1310-0001	放油螺塞	Drain plug	2	
E01-02	11116-A0710-0001	放油螺塞垫圈	Wahser, drain plug	2	
E01-03	11120-A1310-0001	曲轴油封38×58×8	Oil seal, crankshaft38×58×8	1	
E01-04	11110-A3110-0001	曲轴箱组合	Crankcase	1	
E01-05	12217-A1310-0002	迷宫盖板密封垫	Gasket, labyrinth gland	2	
E01-06	12250-A2412-0001	迷宫盖板组件	Labyrinth cover assembly	1	
E01-07	12213-A1310-0002	迷宫盖板	Gland, labyrinth	1	
E01-08	T411-0001	平垫圈8	Washer8	3	
E01-09	26112-A0710-0001	调速摆杆锁夹	Split pin	2	
E01-10	11130-A1010-0001	调速摆杆油封8×14×4	Oil seal, regulating sway bar	1	
E01-11	26111-A1310-0001	调速摆杆	Regulating sway bar	1	
E01-12	T912-0001	滚针轴承Φ8×10×12	Roller bearing	2	
E01-13	11214-A1310-0001	油道堵塞	Plug, oil passage	1	
E01-14	T910-0042	轴承6003-ZS	Bearing 6003-ZS	1	
E01-15	11119-A1310-0002	O型密封圈Φ13×2.5	O-ring	1	
E01-16	GB/T6177.1	螺母M10	Nut M10	1	
E01-17	GB/T3452.1	O型密封圈13×1.4	O-ring	1	
E01-18	27400-A1310-0001	机油传感器	Oil sensor	1	
E01-19	T152-0054	螺栓M6×16	Bolt M6×16	4	
E01-20	19120-A3110-0001	下导风罩组件 I	Slide plate, crankcase I	1	
E01-21	19130-A3110-0001	下导风罩组件 II	Slide plate, crankcase II	1	
E01-22	T151-0002	螺栓M6×12	Bolt M6×12	4	
E01-23	19140-A1310-0001	废气嘴组件	Nipple, exhaust	1	
E01-24	24100-A1310-0001	起动机总成	Motor, starting	1	
E01-25	24143-A1310-0001	起动机定位销Φ10×12	Dowel pin, Motor, starting	2	
E01-27	24144-A1310-0001	起动机螺栓M8×110	Bolt M8×110	2	
E01-28	19213-A1310-0001	点火线圈双头螺栓	Stud	2	
E01-29	19143-A1310-0001	废气管	Pipe, exhaust	1	
E01-30	19144-A1310-0002	废气管管夹	Clamp, exhaust pipe	1	
E01-31	19144-A1310-0003	废气管管夹Φ18×12	Clamp, exhaust pipe Φ18×12	2	
E01-32	24145-A1310-0001	压线板	Pressure line board	1	
E01-33	T152-0030	螺栓M6×30	Bolt M6×30	2	

E-2 曲轴箱盖组件 CRANKCASE COVER ASSY



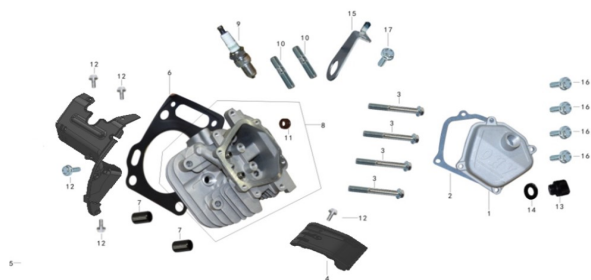
Id	PartNo	PartName	Description	Quantity	Price
E02-01	11110-A3110-0001	曲轴箱盖	Crankcase cover	1	
E02-02	12118-A1710-0001	螺栓M8×50	Bolt M8×50	9	
E02-03	11120-A1310-0001	曲轴油封38×58×8	Oil seal, crankshaft	1	
E02-04	15200-A1310-0001	机油滤清器总成	Oil filter Assy	1	
E02-05	T152-0034	螺栓M6×25	Bolt M6×25	3	
E02-06	15114-A1310-0001	机油泵外转子	Rotor, outer, oil pump	1	
E02-07	GB/T70.1	螺钉M6×16	Screw M6×16	2	
E02-08	15100-A1310-0001	机油泵总成	Oil pump Assy	1	
E02-09	15118-A1310-0001	泄压弹簧	Spring	1	
E02-10	T962-0001	钢球S φ9.5	Ball S φ9.5	1	
E02-11	11114-A1310-0001	曲轴箱垫片	Gasket, crankcase	1	
E02-12	11113-A0710-0001	定位销	Set pin	2	
E02-13	T152-0054	螺栓M6×16	Bolt M6×16	3	
E02-14	15250-A1310-0002	机油滤网组合	Gauze set	1	
E02-15	25112-A1310-0001	调速滑套	Sliding sleeve	1	
E02-16	25118-A0810-0001	调速从动齿轮垫片	Washer, driven gear	1	
E02-17	25100-A1310-0001	调速从动齿轮组件	Driven gear, regulator assy	1	
E02-18	15510-A1310-0003	机油尺组件	Dipstick with seal	1	
E02-19	15248-A1310-0002	O型密封圈 φ13×2	O-ring φ13×2	2	
E02-20	15211-A2410-0001	机油滤清器座	oil filter base	1	
E02-21	19630-A2410-0003	冷凝器组合	condensator assy	1	
E02-22	28252-A2412-0001	拖箍	anchor ear	4	
E02-23	19631-A2410-0005	冷凝器油管(一)	oil tube of condensator (1)	1	
E02-24	19632-A2410-0004	冷凝器油管(二)	oil tube of condensator (2)	1	
E02-25	19630-A3110-0000	机油冷凝器组合	condensator	1	
E02-26	15212-A1310-0001	管接头	connector	1	
E02-27	15126-A2410-0001	机油接头	connector	2	

E-3 气缸头 气缸头盖总成1 CYLINDER HEAD&CYLINDER HEAD COVER ASSY 1



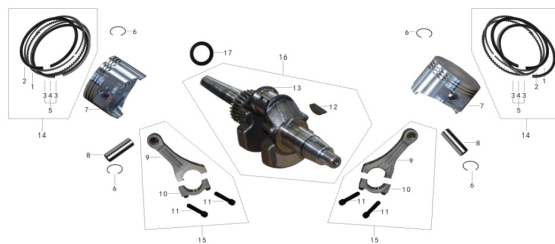
Id	PartNo	PartName	Description	Quantity	Price
E03-01	12132-A3110-0001	气缸头盖 I	Cylinder head cover Assy I	1	
E03-02	12212-A1310-0003	气缸头盖密封圈	Gasket, cylinder head cover	1	
E03-03	12118-A0810-0001	气缸头螺栓	Bolt	4	
E03-04	19114-A3110-0000	上导风罩	Deflector	1	
E03-05	19120-A3110-0001	下导风罩组件 I	Lead wind cover I	1	
E03-06	12120-A3110-0001	气缸头密封垫	Gasket, cylinder head	1	
E03-07	12117-A1310-0001	气缸头定位销 φ12×16	Set pin	2	
E03-08	12131-A2412-0001	气缸头组合 I	Cylinder head Assy I	1	
E03-09	27100-A0710-0001	火花塞F6TC	Spark plug F6TC	1	
E03-10	18214-A1310-0001	排气口双头螺栓	Stud	2	
E03-11	14420-A0810-0001	挡油罩组件	Seal	1	
E03-12	T151-0002	螺栓M6×12	Bolt M6×12	5	
E03-13	24146-A1310-0001	吊环支架	Suspension bracket	1	
E03-14	GB/T5789	螺栓M6×20	Bolt M6×20	4	
E03-15	27500-A1310-0001	单向导通器	one-way Conduction device	1	
E03-16	T314-0001	螺母M6	Nut M6	2	
E03-17	T151-0005	螺栓M8×16	Bolt M8×16	1	

E-4 气缸头 气缸头盖总成II CYLINDER HEAD&CYLINDER HEAD COVER ASSY 1



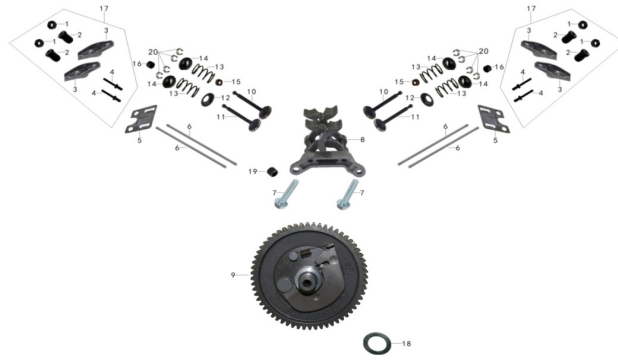
Id	PartNo	PartName	Description	Quantity	Price
E04-01	12142-A1310-0002	气缸头盖 II	Cylinder head cover Assy II	1	
E04-02	12212-A1310-0003	气缸头盖密封圈	Gasket, cylinder head cover	1	
E04-03	12118-A0810-0001	气缸头螺栓	Bolt	4	
E04-04	19115-A3110-0001	上导风罩 II	Deflector	1	
E04-05	19130-A3110-0001	下导风罩 II	Lead wind cover II	1	
E04-06	12120-A3110-0001	气缸头密封垫	Gasket, cylinder head	1	
E04-07	12117-A1310-0001	气缸头定位销 $\phi 12 \times 16$	Set pin	2	
E04-08	12141-A2412-0001	气缸头组合 II	Cylinder head Assy II	1	
E04-09	27100-A0710-0001	火花塞 F6TC	Spark plug F6TC	1	
E04-10	18214-A1310-0001	排气口双头螺栓	Stud	2	
E04-11	14420-A0810-0001	挡油罩组件	Seal	1	
E04-12	T151-0002	螺栓 M6×12	Bolt M6×12	5	
E04-13	15610-A0810-0003	机油塞	Oil plug	1	
E04-14	15612-A1310-0001	机油塞密封圈	Seal	1	
E04-15	24146-A1310-0001	吊环支架	Suspension bracket	1	
E04-16	T151-0032	螺栓 M6×20	Bolt M6×20	4	
E04-17	T151-0005	螺栓 M8×16	Bolt M8×16	1	

E-5 曲轴 活塞连杆总成 CRANKSHAFT,PISTON,CONNECTING



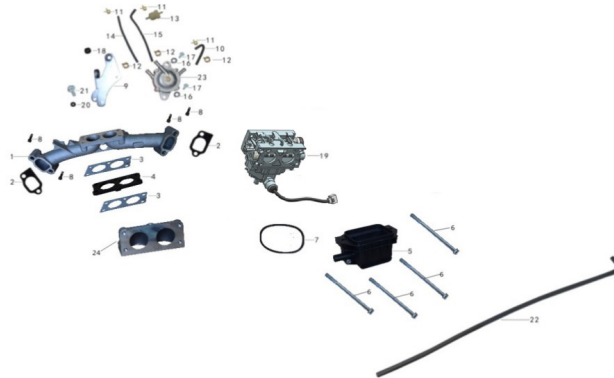
Id	PartNo	PartName	Description	Quantity	Price
E05-01	13411-A2410-0001	活塞环 I	Piston ring I	2	
E05-02	13412-A2410-0001	活塞环 II	Piston ring II	2	
E05-03	13422-A2410-0001	侧环	Side rail	4	
E05-04	13421-A2410-0001	衬簧	Expander	2	
E05-05	13420-A2410-0001	油环组合	Scraper ring set	2	
E05-06	13313-A3110-0001	活塞销挡圈	Piston pin circlip	4	
E05-07	13311-A3110-0001	活塞	Piston	2	
E05-08	13312-A3110-0001	活塞销	Piston pin	2	
E05-09	13121-A2412-0001	连杆	Connecting rod	2	
E05-10	13122-A2412-0001	连杆盖	Connecting rod cover	2	
E05-11	13123-A2412-0001	连杆螺栓	Bolt	4	
E05-12	13112-A0710-0001	半圆键 4×5.5×18	Wood ruff key 4×5.5×18	1	
E05-13	13111-A2412-0004	曲轴	Crankshaft	1	
E05-14	13400-A3110-0001	活塞环组合	Piston ring set	2	
E05-15	13120-A3110-0001	连杆组合	Connecting rod assy	2	
E05-16	13110-A2412-0002	曲轴组合	Crankshaft assy	1	
E05-17	13115-A1310-0001	曲轴调整垫片	Adjusting washer	1	

E-6 凸轮轴装配组合 COMBINATION OF CAM SHAFT&VALVE ROCKER



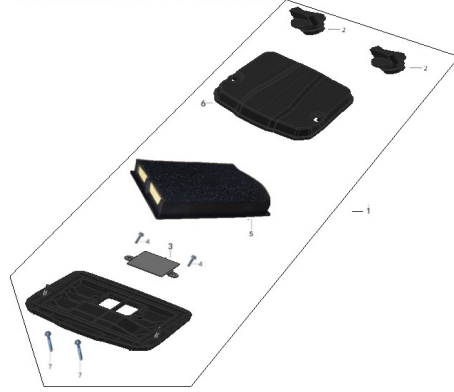
Id	PartNo	PartName	Description	Quantity	Price
E06-01	14314-A0710-0001	气门间隙调节螺母	Lock nut	4	
E06-02	14312-A0710-0001	摇臂轴座销	Sleeve	4	
E06-03	14311-A0810-0001	气门摇臂	Valve rocker	4	
E06-04	14313-A0710-0001	气门间隙调节螺栓	Adjusting bolt for valve gap	4	
E06-05	14220-A0810-0002	推杆导架组件	Pusher guide	2	
E06-06	14210-A1310-0001	推杆组件	Pusher	4	
E06-07	T151-0032	螺栓M6×20	Bolt M6×20	2	
E06-08	14500-A1310-0002	下摇臂装配组合	Rocker arm Assy, lower	1	
E06-09	14100-A3110-0001	凸轮轴装配组合	Camshaft assy	1	
E06-10	14411-A1010-0003	进气门	Intake valve	2	
E06-11	14412-A1010-0003	排气门	Exhaust valve	2	
E06-12	14417-A0810-0001	气门弹簧下座	Spring retainer, exhaust valve	2	
E06-13	14414-A1010-0001	气门弹簧	Valve spring	4	
E06-14	14413-A1010-0001	气门弹簧座(一)	Spring seat, exhaust valve	4	
E06-15	14420-A0810-0001	挡油罩组件	Oil shield assembly	2	
E06-16	14416-A0810-0001	排气门顶帽	Cap	2	
E06-17	14310-A0810-0001	气门摇臂装配组合	Valve rocker assy	2	
E06-18	14114-A1310-0001	凸轮轴调整垫片	Adjusting washer	1	
E06-19	11113-A0810-0001	定位销φ8×12	Set pin φ8×12	1	
E06-20	14418-A1010-0001	气门锁夹	Valve collet	8	

E-7 化油器总成 进气管总成 CARBURETOR ASSY & INLET PIPE ASSY



Id	PartNo	PartName	Description	Quantity	Price
E07-01	17211-A2412-0001	进气管	Inlet pipe	1	
E07-02	17219-A2412-0001	进气口垫片	Inlet gasket	2	
E07-03	16113-A2412-0001	化油器垫片	Carburetor gasket	2	
E07-04	16120-A2412-0001	化油器接块组件	Connecting block	1	
E07-05	17230-A2412-0001	空滤器安装支架组合	Bracket, air cleaner	1	
E07-06	T151-0075	化油器螺栓M6×120	Bolt M6×120	4	
E07-07	17212-A2412-0001	进气管密封圈	gasket, inlet pipe	1	
E07-08	T230-0004	螺栓M8×45	Bolt M8×45	4	
E07-09	16711-A1310-0001	汽油泵支撑板	Gasoline pump plate	1	
E07-10	16715-A2412-0001	汽油泵出油管	Outlet pipe, fuel pump	1	
E07-11	16622-A0710-0005	油管夹 I	Clamp, pipe I	3	
E07-12	16622-A1310-0002	油管夹 I	Clamp, pipe I	3	
E07-13	16660-A1713-0001	燃油过滤器组件	Fuel filter assembly	1	
E07-14	16716-A1310-0001	汽油泵负压管	Inlet pipe, fuel pump	1	
E07-15	16714-A1310-0001	汽油泵进油管	Vacuum pipe, fuel pump	1	
E07-16	16713-A1310-0001	汽油泵垫片	Washer, fuel pump	2	
E07-17	T151-0002	螺栓 M6×12	Screw M6×12	2	
E07-18	16712-A1310-0001	汽油泵垫圈(一)	Washer I	2	
E07-19	16100-A3110-0003	化油器总成	Fuel pump Assy	1	
E07-20	16717-A1310-0001	汽油泵垫圈(二)	Washer II	1	
E07-21	T152-0054	螺栓 M6×16	Bolt M6×16	1	
E07-22	16621-A1310-0001	出油管(一)	flowline (1)	1	
E07-23	16700-A1310-0001	汽油泵总成	gasoline pump assembly	1	
E07-24	17226-A2412-0001	进气管接头	Intake pipe joint	1	

E-8 空气滤清器总成 AIR CLEANER ASSY



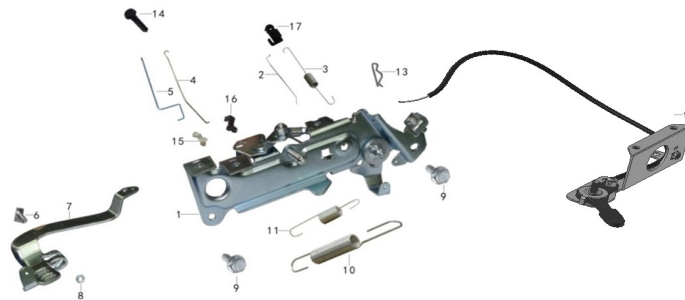
Id	PartNo	PartName	Description	Quantity	Price
E08-1	17100-A3110-0001	空滤器总成	Air cleaner housing	1	
E08-2	17111-A3110-0001	空滤器螺母	Clamp, air cleaner	2	
E08-3	17115-A3110-0001	空滤器通风盖板	Air filter cover plate	1	
E08-4	T152-0034	螺栓M6×25	Bolt M6×25	2	
E08-5	17124-A1310-0001	滤芯组件	Filter element	1	
E08-6	17112-A3110-0001	空滤器盖	Air cleaner cover	1	
E08-7	17117-A1310-0001	空滤器螺栓	Bolt, air cleaner	2	

E-9 消声器组件 MUFFLER



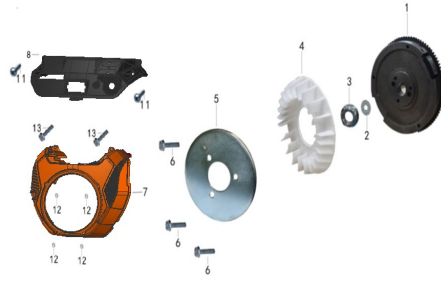
Id	PartNo	PartName	Description	Quantity	Price
E09-1	18000-A1310-0001	消声器总成	Muffler assy	1	
E09-2	T310-0001	螺母M8	Nut M8	4	
E09-3	T441-0001	弹簧垫圈8	spring washer	4	
E09-4	18215-A1310-0001	排气口垫片	Exhaust pipe gasket	2	
E09-5	T151-0005	螺栓M8×16	Screw M8×16	2	

E-10 调速控制系统 REGULATING CONTROL SYSTEM



Id	PartNo	PartName	Description	Quantity	Price
E10-01	26200-A1310-0001	调速支架组合	Regulating board	1	
E10-02	26115-A2412-0001	调速拉杆	Pulling rod	1	
E10-03	26117-A2412-0001	复位弹簧	Back spring	1	
E10-04	26119-A2412-0001	阻风门拉杆 I	Choke link I	1	
E10-05	26121-A1310-0001	阻风门拉杆 II	Choke link II	1	
E10-06	26116-A1310-0001	调速臂紧固螺栓	Lock bolt	1	
E10-07	26114-A1310-0001	调速臂	Regulating arm	1	
E10-08	T314-0001	螺母M6	Nut M6	1	
E10-09	T151-0005	螺栓M8×16	Bolt M8×16	2	
E10-10	26215-A2412-0001	调速弹簧	Regulating spring	1	
E10-11	26118-A1310-0001	微调速弹簧	Fine regulating spring	1	
E10-12	26260-A3110-0001	手柄组件	Handle bracket	1	
E10-13	26112-A0710-0001	调速摆杆锁夹	Clamp, regulating sway bar	1	
E10-14	16114-A1310-0001	阻风门开关	Switch, choke	1	
E10-15	26123-A1310-0001	阻风门拉杆锁夹 II	Clamp, Choke link II	1	
E10-16	26122-A1310-0001	阻风门拉杆锁夹 I	Clamp, Choke link I	1	
E10-17	26124-A1310-0001	调速拉杆锁夹	Clamp, pulling rod	1	

E-11 飞轮部件 FLYWHEEL



Id	PartNo	PartName	Description	Quantity	Price
E11-01	23300-A1310-0003	飞轮组件	Flywheel	1	
E11-02	23319-A1310-0001	飞轮螺母垫圈	Washer, flywheel	1	
E11-03	23317-A1310-0001	飞轮螺母M20×2	Nut M20×2	1	
E11-04	19111-A3110-0001	飞轮风扇	Flywheel fan	1	
E11-05	19151-A1310-0002	飞轮风扇压板	Flywheel fan pressplate	1	
E11-06	T151-0005	螺栓M8×16	Bolt M8×16	3	
E11-07	19210-A3110-0001	风扇罩组件	Fan hood assy	1	
E11-08	19190-A3110-0001	挡风罩组件	Wind plate	1	
E11-09	T152-0030	螺栓M6×30	Bolt M6×30	2	
E11-10	24130-A1310-0001	充电线圈组件	charge coil assy	1	
E11-11	T240-0001	自攻螺钉st4.2×19	Screw st4.2×19	2	
E11-12	T314-0001	螺母M6	Nut M6	4	
E11-13	T152-0054	螺栓M6×16	Bolt M6×16	2	

E-12 点火线圈组件 IGNITION COIL



Id	PartNo	PartName	Description	Quantity	Price
E12-1	27200-A1310-0002	点火线圈组件 I	Ignition coil assy I	1	
E12-3	27600-A1310-0002	点火线圈组件 II	Ignition coil assy II	1	
E12-4	19213-A1310-0001	风扇罩双头螺栓(一)	Stud	2	
E12-5	T152-0034	螺栓M6×25	Bolt M6×25	2	

主线束组件 MAIN BEAM ASSEMBLY



Id	PartNo	PartName	Description	Quantity	Price
1	31252-A3110-0001	主线束组件		1	