



P.I.T.[®]

Progressive Innovational Technology

EN

PRODUCT PASSPORT
USER'S MANUAL

RU

ПАСПОРТ ИЗДЕЛИЯ
ИНСТРУКЦИЯ ПОЛЬЗОВАТЕЛЯ

IMPACT DRILL УДАРНАЯ ДРЕЛЬ



EAC

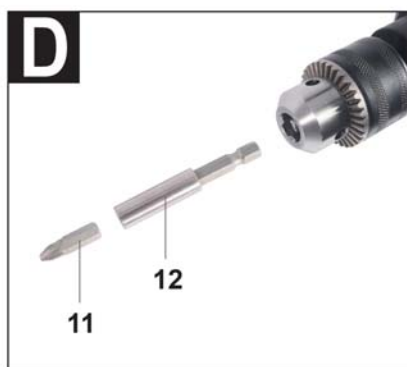
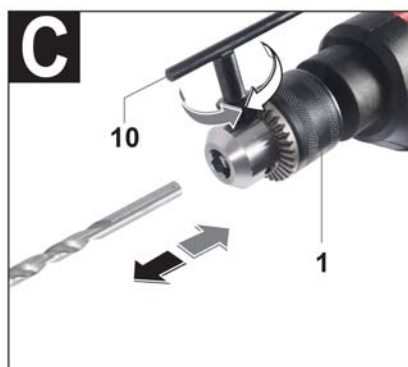
PSB13-C2 PSB13-C7

PROGRESSIVE INNOVATIONAL TECHNOLOGY

ПРОГРЕССИВНЫЕ ИННОВАЦИОННЫЕ ТЕХНОЛОГИИ







English

Safety instructions

General Power Tool Safety Warnings



WARNING Read all safety warnings and all instructions.

Failure to follow the warnings and instructions may result in electric shock, fire and/or serious injury.

Save all warnings and instructions for future reference. The term "power tool" in the warnings refers to your mains-operated (corded) power tool or battery-operated (cord-less) power tool.

Work area safety

► **Keep work area clean and well-lit.** Cluttered or dark areas invite accidents.

► **Do not operate power tools in explosive atmospheres, such as in the presence of flammable liquids, gases or dust.** Power tools create sparks which may ignite the dust or fumes.

► **Keep children and bystanders away while operating a power tool.** Distractions can cause you to lose control.

Electrical safety

► **Power tool plugs must match the outlet. Never modify the plug in any way. Do not use any adapter plugs with earthed (grounded) power tools.** Unmodified plugs and matching outlets will reduce risk of electric shock.

► **Avoid body contact with earthed or grounded surfaces, such as pipes, radiators, ranges and refrigerators.** There is an increased risk of electric shock if your body is earthed or grounded.

► **Do not expose power tools to rain or wet conditions.** Water entering a power tool will increase the risk of electric shock.

► **Do not abuse the cord. Never use the cord for carrying, pulling or unplugging the power tool. Keep cord away from heat, oil, sharp edges or moving parts.** Damaged or entangled cords increase the risk of electric shock.

► **When operating a power tool outdoors, use an extension cord suitable for outdoor use.** Use of a cord suitable for outdoor use reduces the risk of electric shock..

► **If operating a power tool in a damp location is unavoidable, use a residual current device (RCD) protected supply.** Use of an RCD reduces the risk of electric shock.

Personal safety

► **Stay alert, watch what you are doing and use common sense when operating a power**

tool. Do not use a power tool while you are tired or under the influence of drugs, alcohol or medication. A moment of inattention while operating power tools may result in serious personal injury.

► **Use personal protective equipment. Always wear eye protection.** Protective equipment such as dust mask, non-skid safety shoes, hard hat, or hearing protection used for appropriate conditions will reduce personal injuries.

► **Prevent unintentional starting. Ensure the switch is in the off-position before connecting to power source and/or battery pack, picking up or carrying the tool.** Carrying power tools with your finger on the switch or energising power tools that have the switch on invites accidents.

► **Remove any adjusting key or wrench before turning the power tool on.** A wrench or a key left attached to a rotating part of the power tool may result in personal injury.

► **Do not overreach. Keep proper footing and balance at all times.** This enables better control of the power tool in unexpected situations.

► **Dress properly. Do not wear loose clothing or jewellery. Keep your hair, clothing and gloves away from moving parts.** Loose clothes, jewellery or long hair can be caught in moving parts.

► **If devices are provided for the connection of dust extraction and collection facilities, ensure these are connected and properly used.** Use of dust collection can reduce dust related hazards.

Power tool use and care

► **Do not force the power tool. Use the correct power tool for your application.** The correct power tool will do the job better and safer at the rate for which it was designed.

► **Do not use the power tool if the switch does not turn it on and off.** Any power tool that cannot be controlled with the switch is dangerous and must be repaired.

► **Disconnect the plug from the power source and/or the battery pack from the power tool before making any adjustments, changing accessories, or storing power tools.** Such preventive safety measures reduce the risk of starting the power tool accidentally.

► **Store idle power tools out of the reach of children and do not allow persons unfamiliar with the power tool or these instructions to operate the power tool. Power**

tools are dangerous in the hands of untrained users.

► **Maintain power tools. Check for misalignment or binding of moving parts, breakage of parts and any other condition that may affect the power tool's operation. If damaged, have the power tool repaired before use.** Many accidents are caused by poorly maintained power tools.

► **Keep cutting tools sharp and clean.** Properly maintained cutting tools with sharp cutting edges are less likely to bind and are easier to control.

► **Use the power tool, accessories and tool bits etc. in accordance with these instructions, taking into account the working conditions and the work to be performed.** Use of the power tool for operations different from those intended could result in a hazardous situation.

Service

► **Have your power tool serviced by a qualified repair person using only identical replacement parts.** This will ensure that the safety of the power tool is maintained.

bonded abrasives.

When carrying out abrasive cutting, use a moderate feed that is suited to the material being machined. Do not exert pressure on the cutting disc and do not tilt or swing the power tool.

Do not attempt to reduce the speed of a cutting disc coming to a stop by applying pressure from the side.

The power tool must always work in an up-grinding motion. Otherwise, there is a risk that it will be pushed uncontrolled out of the cut. For best results when cutting profiles and rectangular tubing, start at the smallest cross section.

Safety Warnings for Drills

Safety instructions for all operations

► **Use auxiliary handle(s), if supplied with the tool.** Loss of control can cause personal injury.

► **Hold the power tool by insulated gripping surfaces, when performing an operation where the cutting accessory may contact hidden wiring or its own cord.** Cutting accessory contacting a "live" wire may make exposed metal parts of the power tool "live" and could give the operator an electric shock.

Safety instructions when using long drill bits

► **Never operate at higher speed than the maximum speed rating of the drill bit.** At higher speeds, the bit is likely to bend if allowed to rotate freely without contacting the workpiece, resulting in personal injury.

► **Always start drilling at low speed and with the bit tip in contact with the workpiece.** At higher speeds, the bit is likely to bend if allowed to rotate freely without contacting the workpiece, resulting in personal injury.

► **Apply pressure only in direct line with the bit and do not apply excessive pressure.** Bits can bend causing breakage or loss of control, resulting in personal injury.

Additional safety warnings

► **Secure the workpiece.** A workpiece clamped with clamping devices or in a vice is held more secure than by hand.

► **Switch the power tool off immediately if the application tool becomes blocked. Be prepared for high torque reactions which cause kickback.** The application tool becomes blocked when it becomes jammed in the workpiece or when the power tool becomes overloaded.

► **Use suitable detectors to determine if utility lines are hidden in the work area or call the local utility company for assistance.** Contact with electric lines can lead to fire and electric shock. Damaging a gas line can lead to explosion. Penetrating a water line causes property damage or may cause an electric shock.

► **Always wait until the power tool has come to a complete stop before placing it down.** The application tool can jam and cause you to lose control of the power tool.

Product Description and Specifications



Read all the safety and general

instructions. Failure to observe the safety and general instructions may result in electric shock, fire and/or serious injury.

Please observe the illustrations at the beginning of this operating manual.

Intended Use

The power tool is intended for impact drilling in brick, concrete and stone, as well as for drilling in wood, metal, ceramic and plastic. Tools with electronic control and right/ left rotation are also suitable for screwdriving and thread cutting.

Product features

The numbering of the product features refers to the diagram of the power tool on the graphics page.

- (1) Keyed chuck
- (2) Lock-on button for on/off switch
- (3) Speed preselection thumbwheel
- (4) On/off switch
- (5) Rotational direction switch
- (6) "Drilling/impact drilling" selector switch
- (7) Auxiliary handle
- (8) Depth stop
- (9) Handle
- (10) Chuck key
- (11) Screwdriver bit
- (12) Universal bit holder
- (13) Securing screw

Technical data

Model	PSB13-C2	PSB13-C7
Rated voltage	220 V~/50 Hz	220 V~/50 Hz
Power	780 W	860 W
Speed	0-3000 r/min	0-3000 r/min
Impact rate	0-48000 /min	0-48000 /min
Chuck size	13 mm	13 mm
Protection class	II	II
Weight	2.1 Kg	2.2 Kg

Note

Since the product is constantly being improved, P.I.T. reserves the right to make changes to the specifications listed here and the product bundle without prior notice.

Contents of delivery

- Impact drill 1 pc.
- Depth stop 1 pc.
- Additional handle 1 pc.
- Chuck key 1 pc.
- User manual 1 pc.

Assembly

► Pull the plug out of the socket before carrying out any work on the power tool.

Auxiliary handle

► **Do not operate your power tool without the auxiliary handle.** You can adjust the auxiliary handle to any of positions in order to achieve a safe work posture that minimises fatigue.

Turn the lower gripping end of the auxiliary handle in rotational direction 1 and push the auxiliary handle forward until you can swivel it into the required position. Then pull the auxiliary handle back again and turn the lower gripping end in rotational direction 2 to tighten it.

Setting the drilling depth

You can use the depth stop to set the required

drilling depth.

Turn the lower gripping end of the auxiliary handle anti-lockwise and set the depth stop.

Pull the depth stop far enough out that the distance between the drill bit tip and the edge of the depth stop corresponds to the required drilling depth.

Then, turn the lower gripping end of the auxiliary handle clockwise to retighten it.

The fluting on the depth stop must face upwards.

Changing the tool

► **Pull the plug out of the socket before carrying out any work on the power tool.**

► **Wear protective gloves when changing tools.** The drill chuck may heat up significantly when it is used for long periods.

Keyed chuck

Open the keyed chuck by turning it until the tool can be inserted. Insert the tool.

Insert the chuck key into the corresponding holes of the keyed chuck and clamp the tool evenly.

Note: When using small drill bits, adjust the tool holder to the rough drilling diameter first. Otherwise, there is a risk that the drill bit will not be centred properly.

Changing the drill chuck

► **Pull the plug out of the socket before carrying out any work on the power tool.**

Removing the securing screw

A securing screw protects the keyed chuck from being accidentally separated from the drill spindle. Open the keyed chuck fully and unscrew the securing screw clockwise. Note that the securing screw has a left-hand thread.

If the securing screw is stuck, place a screwdriver on the screw head and loosen the securing screw by hitting the handle of the screwdriver.

Removing the keyed chuck

To remove the keyed chuck, place the power tool on a firm surface, e.g. a work bench. Insert the chuck key into one of the three drilled holes in the keyed chuck and loosen the keyed chuck using this lever by turning it anticlockwise. A stuck keyed chuck can be loosened by gently hitting the chuck key. Remove the chuck key from the keyed chuck and fully unscrew and remove the keyed chuck.

Fitting the drill chuck

The fitting of the keyless chuck/keyless chuck with securing ring/keyed chuck takes place in reverse order.



The drill chuck must be tightened

using a tightening torque of approx. 50–55 Nm.

For keyed chucks

Screw the securing screw anticlockwise into the open keyed chuck.

Dust/Chip Extraction

Dust from materials such as lead-containing coatings, some wood types, minerals and metal can be harmful to one's health. Touching or breathing-in the dust can cause allergic reactions and/or lead to respiratory infections of the user or bystanders.

Certain dust, such as oak or beech dust, is considered carcinogenic, especially in connection with wood-treatment additives (chromate, wood preservative). Materials containing asbestos may only be worked by specialists.

–Provide for good ventilation of the working place.

–It is recommended to wear a P2 filter-class respirator.

Observe the relevant regulations in your country for the materials to be worked.

► **Avoid dust accumulation at the work-place. Dust can easily ignite.**

Operation

Starting Operation

► **Pay attention to the mains voltage. The voltage of the power source must match the voltage specified on the rating plate of the power tool. Power tools marked with 230 V can also be operated with 220 V.**

Setting the rotational direction

The rotational direction switch is used to change the rotational direction of the power tool. However, this is not possible while the on/off switch is being pressed.

Right rotation: To drill and to drive in screws, press the rotational direction switch through to the right stop.

Left rotation: To loosen and unscrew screws and nuts, press the rotational direction switch through to the left stop.

Setting the Operating Mode

Drilling and screwdriving

◆◆ Set the selector switch to the “drilling” symbol.

Impact drilling

◆ Set the selector switch to the “impactdrilling” symbol.

The selector switch clicks into place and can

also be actuated when the motor is running.

Switching on/off

To **start** the power tool, press and hold the on/off switch.

Press the lock-on button to lock the on/off switch in this position.

To **switch off** the power tool, release the on/off switch, or, if the switch is locked with the lock-on button, briefly press the on/off switch and then release it.

Adjusting the Speed/Impact Rate

You can adjust the speed of the power tool when it is on by pressing in the on/off switch to varying extents.

A light pressure on the on/off switch results in a low rotational speed. Increased pressure on the switch causes an increase in speed.

Preselecting the Speed/Impact Rate

You can preselect the required speed/impact rate using the speed preselection thumbwheel, even during operation.

The required speed/impact rate is dependent on the material and the work conditions and can be determined by practical trials.

Practical advice

► **Pull the plug out of the socket before carrying out any work on the power tool.**

When drilling into metal, only use sharpened HSS drills (HSS= high-speed steel) which are in perfect condition. Use a drill stand for jobs that require particular precision.

Maintenance and Cleaning

Maintenance and Cleaning

► **Pull the plug out of the socket before carrying out any work on the power tool.**

► **To ensure safe and efficient operation, always keep the power tool and the ventilation slots clean.**

► For safe and proper working, always keep the machine and ventilation slots clean.

When the battery is no longer operative, please refer to an authorised after-sales service agent for P.I.T. power tools.

Dispose of waste



Damaged power tools, batteries, acces-

sories and waste packaging materials must be recycled and reused in an environmentally friendly manner.

Do not throw power tools and accumulators / batteries into general household waste!

Product serial number interpretation

No.

17	07	30	0395
----	----	----	------

Year month day

The first and second digits of the product serial number from left to right

Year of production, the third and fourth digits indicate the month of production, the fifth and sixth digits indicate the production day.

TERMS OF WARRANTY SERVICE

1. This Warranty Certificate is the only document that confirms your right to free warranty service. Without presenting this certificate, no claims are accepted. In case of loss or damage, the warranty certificate is not restored.

2. The warranty period for the electric machine is 12 months from the date of sale, during the warranty period the service department eliminates manufacturing defects and replaces parts that have failed due to the fault of the manufacturer free of charge. In the warranty repair, an equivalent operable product is not provided. Replaceable parts become property of service providers.

P.I.T is not liable for any damage that may be caused by operation of the electric machine.

3. Only clean tool accompanied with the following duly executed documents: this Warranty Certificate, Warranty Card, with all fields filled out, bearing the stamp of the trade organization and the signature of the buyer, shall be accepted for warranty repair.

4. Warranty repair is not performed in the following cases:

- in the absence of a Warranty Certificate and a Warranty Card or their incorrect execution;
- with failure of both a rotor and a stator of the electric engine, charring or melting of primary winding of the welding machine transformer, charging or starting-charging device, with internal parts melting, burn down of electronic circuit boards;
- if a Warranty Certificate or a Warranty Card does not correspond to this electric machine or to the form established by the supplier;
- upon expiration of the warranty period;
- at attempts of opening or repair of the electric machine outside the warranty workshop; making constructive changes and lubrication of the tool during the warranty period, as evidenced, for example, by the creases on the spline parts of the fasteners of non-rotational parts.

- when using electric tools for production or other purposes connected with making a profit, as well as in case of malfunctions related to instability of the power network parameters exceeding the norms established by GOST;

- in the events of improper operation (use the electric machine for other than intended purposes, attachments to the electric machine of attachments, accessories, etc. not provided by the manufacturer);

- with mechanical damage to the case, power cord and in case of damages caused by aggressive agents and high and low temperatures, ingress of foreign objects in the ventilation grids of the electric machine, as well as in case of damage resulting from improper storage (corrosion of metal parts);

- natural wear and tear on the parts of the electric machine, as a result of long-term operation (determined on the basis of the signs of full or partial depletion of the specified mean life, great contamination, presence of rust outside and inside the electric machine, waste lubricant in the gearbox);

- use of the tool the purposes for other than specified in the operating instructions.

- mechanical damages to the tool;

- in the event of damages due to non-observance of the operating conditions specified in the instruction (see chapter "Safety Precautions" of the Manual).

- damage to the product due to non-observance of the rules of storage and transportation.

Preventive maintenance of electric machines (cleaning, washing, lubrication, replacement of anthers, piston and sealing rings) during the warranty period is a paid service.

The service life of the product is determined by the manufacturer and is 2 years from the date of manufacture.

The owner is notified of any possible violations of the above terms of warranty service upon completion of diagnostics in the service center.

The owner of the tool entrusts the diagnostic procedure to be conducted in the service center in his absence.

Do not operate the electric machine when there are signs of excessive heat, sparking, or noise in the gearbox. To determine the cause of the malfunction, the buyer should contact the warranty service center.

Malfunctions caused by late replacement of carbon brushes of the engine are eliminated at the expense of the buyer.

5. The warranty does not cover:

- replacement accessories (accessories and components), for example: batteries, discs, blades, drill bits, borers, chucks, chains, sprockets, collet clamps, guide rails, tension and fastening elements, trimming device heads, base of grinding and belt sander machines, hexagonal heads, etc.,
- fast wearing parts, for example: carbon brushes, drive belts, seals, protective covers, guiding rollers, guides, rubber seals, bearings, toothed belts and wheels, shanks, brake belts, starter ratchets and ropes, piston rings, etc. Their replacement during the warranty period is a paid service;
- power cords, in case of damage to the insulation, power cords are subject to mandatory replacement without the consent of the owner (paid service);
- tool case.

Русский

Указания по технике безопасности

Общие указания по технике безопасности для электроинструментов

! ПРЕДУПРЕЖДЕНИЕ

Прочитайте все указания по технике безопасности, инструкции, иллюстрации и спецификации, предоставленные вместе с настоящим электроинструментом. Несоблюдение каких-либо из указанных ниже инструкций может стать причиной поражения электрическим током, пожара и/или тяжелых травм.

Сохраняйте эти инструкции и указания для будущего использования.

Использованное в настоящих инструкциях и указаниях понятие «электроинструмент» распространяется на электроинструмент с питанием от сети (с сетевым шнуром) и на аккумуляторный электроинструмент (без сетевого шнура).

Безопасность рабочего места

► **Содержите рабочее место в чистоте и хорошо освещенным.** Беспорядок или неосвещенные участки рабочего места могут привести к несчастным случаям.

► **Не работайте с этим электроинструментом во взрывоопасном помещении, в котором находятся горючие жидкости, воспламеняющиеся газы или пыль.** Электроинструменты искрят, что может привести к воспламенению пыли или паров.

► **Во время работы с электроинструментом не допускайте близко к Вашему рабочему месту детей и посторонних лиц.** Отвлечшись, Вы можете потерять контроль над электроинструментом.

Электробезопасность

► **Штепсельная вилка электроинструмента должна подходить к штепсельной розетке.** Ни в коем случае не изменяйте штепсельную вилку. **Не применяйте переходные штекеры для электроинструментов с защитным заземлением.** Незамененные штепсельные вилки и подходящие штепсельные розетки снижают риск поражения электротоком.

► **Предотвращайте телесный контакт с заземленными поверхностями, как то: с трубами, элементами отопления, кухонными плитами и холодильниками.** При заземлении Вашего тела повышается риск поражения электротоком.

► **Защищайте электроинструмент от дождя и сырости.** Проникновение воды в электроинструмент повышает риск поражения электротоком.

► **Не разрешается использовать шнур не по назначению, например, для транспортировки или подвески электроинструмента, или для вытягивания вилки из штепсельной розетки.** Защищайте шнур от воздействия высоких температур, масла, острых кромок или подвижных частей электроинструмента. Поврежденный или спутанный шнур повышает риск поражения электротоком.

► **При работе с электроинструментом под открытым небом применяйте пригодные для этого кабели удлинители.** Применение пригодного для работы под открытым небом кабеля удлинителя снижает риск поражения электротоком.

► **Если невозможно избежать применения электроинструмента в сыром помещении, подключайте электроинструмент через устройство защитного отключения.** Применение устройства защитного отключения снижает риск электрического поражения.

Безопасность людей

► **Будьте внимательными, следите за тем, что Вы делаете, и продуманно начинайте работу с электроинструментом. Не пользуйтесь электроинструментом в усталом состоянии или если Вы находитесь в состоянии наркотического или алкогольного опьянения или под воздействием лекарств.** Один момент невнимательности при работе с электроинструментом может привести к серьезным травмам.

► **Применяйте средства индивидуальной защиты и всегда защитные очки.** Использование средств индивидуальной защиты, как то: защитной маски, обуви на нескользящей подошве, защитного шлема или средств защиты органов слуха, – в зависимости от вида работы с электроинструментом снижает риск получения травм.

► **Предотвращайте непреднамеренное включение электроинструмента. Перед подключением электроинструмента к электропитанию и/или к аккумулятору убедитесь в выключенном состоянии электроинструмента.** Удержание пальца на выключателе при транспортировке и подключение к сети питания включенного электроинструмента чревато несчастными случаями.

► Убирайте установочный инструмент или гаечные ключи до включения электроинструмента. Инструмент или ключ, находящийся во вращающейся части электроинструмента, может привести к травмам.

► Не принимайте неестественное положение корпуса тела. Всегда занимайте устойчивое положение и сохраняйте равновесие. Благодаря этому Вы можете лучше контролировать электроинструмент в неожиданных ситуациях.

► Носите подходящую рабочую одежду. Не носите широкую одежду и украшения. Держите волосы, одежду и рукавицы вдали от движущихся частей. Широкая одежда, украшения или длинные волосы могут быть затянuty вращающимися частями.

► При наличии возможности установки пылеотсасывающих и пылесборных устройств проверяйте их присоединение и правильное использование. Применение пылеотсоса может снизить опасность, создаваемую пылью.

► **ВНИМАНИЕ!** В случае возникновения перебоя в работе электроинструмента вследствие полного или частичного прекращения энергоснабжения или повреждения цепи управления энергоснабжением установите выключатель в положение Выкл., убедившись, что он не заблокирован (при его наличии). Отключите сетевую вилку от розетки или отсоедините съёмный аккумулятор. Этим предотвращается неконтролируемый повторный запуск.

Применение электроинструмента и обращение с ним

► Не перегружайте электроинструмент. Используйте для Вашей работы предназначенный для этого электроинструмент. С подходящим электроинструментом Вы работаете лучше и надежнее в указанном диапазоне мощности.

► Не работайте с электроинструментом при неисправном выключателе. Электроинструмент, который не поддается включению или выключению, опасен и должен быть отремонтирован.

► До начала наладки электроинструмента, перед заменой принадлежностей и прекращением работы отключайте штепсельную вилку от розетки сети и/или выньте аккумулятор. Эта мера предосторожности предотвращает непреднамеренное включение электроинструмента.

► Храните электроинструменты в недоступном для детей месте. Не разрешайте пользоваться электроинструментом лицам, которые не знакомы с ним или не читали настоящих инструкций. Электроинструменты опасны в руках неопытных лиц.

► Тщательно ухаживайте за электроинструментом. Проверяйте безупречную функцию и ход движущихся частей электроинструмента, отсутствие поломок или повреждений, отрицательно влияющих на функцию электроинструмента. Поврежденные части должны быть отремонтированы до использования электроинструмента. Плохое обслуживание электроинструментов является причиной большого числа несчастных случаев.

► Держите режущий инструмент в заточенном и чистом состоянии. Заботливо ухоженные режущие инструменты с острыми режущими кромками режут заклиниваются и их легче вести.

► Применяйте электроинструмент, принадлежности, рабочие инструменты и т. п. в соответствии с настоящими инструкциями. Учитывайте при этом рабочие условия и выполняемую работу. Использование электроинструментов для непредусмотренных работ может привести к опасным ситуациям.

Сервис

► Ремонт Вашего электроинструмента поручайте только квалифицированному персоналу и только с применением оригинальных запасных частей. Этим обеспечивается безопасность электроинструмента.

Указания по технике безопасности для дрелей

Указания по технике безопасности для всех операций

► Пользуйтесь вспомогательной(ыми) рукояткой(ами). Потеря контроля чревата травмами.

► При выполнении работ, при которых рабочий инструмент может задеть скрытую электропроводку или свой собственный шнур питания, держите инструмент за изолированные поверхности. Контакт с находящейся под напряжением проводкой может зарядить металлические части электроинструмента и привести к удару электрическим током.

Указания по технике безопасности для работы с длинными бит-насадками

► **Никогда не работайте со скоростью, превышающей максимальную номинальную скорость бит-насадки.** При высокой скорости бит-насадки могут изгибаться, если они вращаются свободно без контакта с заготовкой, что может привести к телесным повреждениям.

► **Всегда начинайте сверлить на низкой скорости, кончик битнасадки должен касаться заготовки.** При высокой скорости бит-насадки могут изгибаться, если они вращаются свободно без контакта с заготовкой, что может привести к телесным повреждениям.

► **Нажимайте только по прямой к бит-насадке и не нажимайте излишне.** Бит-насадки могут изгибаться и в результате ломаться или приводить к потере контроля и вследствие этого к телесным повреждениям.

Дополнительные указания по технике безопасности

► **Немедленно выключите электроинструмент, если рабочий инструмент заклинило. Будьте готовы к высоким реактивным моментам, которые приводят к отдаче.** Рабочий инструмент заклинивает при перегрузке электроинструмента или застревании инструмента в обрабатываемой заготовке.

► **Крепко держите электроинструмент.** При затягивании и отпуске винтов/шурупов могут возникать кратковременные высокие реакционные моменты.

► **Закрепляйте заготовку.** Заготовка, установленная в зажимное приспособление или в тиски, удерживается более надежно, чем в Вашей руке.

► **Используйте соответствующие металлоискатели для нахождения спрятанных в стене труб или проводки или обращайтесь за справкой в местное коммунальное предприятие.** Контакт с электропроводкой может привести к пожару и поражению электротоком. Повреждение газопровода может привести к взрыву. Повреждение водопровода ведет к нанесению материального ущерба или может вызвать поражение электротоком.

► **Выждите полной остановки электроинструмента и только после этого выпустите его из рук.** Рабочий инструмент может заесть, и это может привести к потере контроля над электроинструментом.

Описание продукта и услуг



Прочтите все указания и инструкции по технике безопасности.

Несоблюдение указаний по технике безопасности и инструкций может привести к поражению электрическим током, пожару и/или тяжелым травмам.

Пожалуйста, соблюдайте иллюстрации в начале руководства по эксплуатации.

Применение по назначению

Электроинструмент предназначен для сверления древесины, металла, керамики и пластмассы. Электроинструменты с электронным регулированием и реверсированием направления вращения пригодны также для завинчивания винтов/шурупов и нарезания резьбы.

Изображенные составные части

Нумерация представленных компонентов выполнена по изображению на странице с иллюстрациями.

- (1) Сверлильный ключевой патрон
- (2) Кнопка фиксации выключателя
- (3) Установочное колесико числа оборотов
- (4) Выключатель
- (5) Переключатель направления вращения
- (6) Переключатель режимов «Сверление/Сверление с ударом»
- (7) Дополнительная рукоятка
- (8) Ограничитель глубины
- (9) Рукоятка
- (10) Ключ для сверлильного патрона
- (11) Бита-насадка
- (12) Универсальный держатель бит-насадок
- (13) Предохранительный винт для патрона

Технические данные

Модель	PSB13-C2	PSB13-C7
Номинальное напряжение/ частота	220 В ~ / 50 Гц	220 В ~ / 50 Гц
Номинальная мощность	780 Вт	860 Вт
Номинальное число оборотов	0-3000 об / мин	0-3000 об / мин
Частота ударов	0-4800 уд/мин	0-4800 уд/мин
Размер патрона	13 мм	13 мм
Класс защиты	II	II
Вес	2,1 кг	2,2 кг

Примечание

Так как изделие постоянно совершенствуется, P.I.T. оставляет за собой право на внесение изменений в указанные здесь технические характеристики и комплектацию изделия без предварительного уведомления.

Комплект поставки

- Ударная дрель 1 шт.
- Дополнительная рукоятка 1 шт
- Ограничитель глубины 1 шт
- Ключ для сверлильного патрона 1 шт
- Инструкция пользователя 1 шт.

Сборка

► **Перед любыми манипуляциями с электроинструментом вытаскивайте штепсель из розетки.**

Дополнительная рукоятка

► **Работайте с электроинструментом только с дополнительной рукояткой.**

Для удобства работы дополнительную рукоятку можно устанавливать в различных положениях.

Поверните нижнюю ручку дополнительной рукоятки в направлении **1** и сдвиньте дополнительную рукоятку вперед настолько, чтобы ее можно было повернуть в необходимое положение. После этого сдвиньте дополнительную рукоятку опять назад и затяните нижнюю ручку, повернув ее в направлении **2**.

Настройка глубины сверления

С помощью ограничителя глубины можно установить необходимую глубину сверления.

Поверните нижнюю часть дополнительной рукоятки против часовой стрелки и вставьте ограничитель глубины.

Выдвиньте ограничитель глубины наружу настолько, чтобы расстояние между кончиком сверла и кончиком ограничителя глубины соответствовало требуемой глубине сверления.

После этого вращением по часовой стрелке снова зажмите нижнюю часть дополнительной рукоятки.

Рифление на ограничителе глубины должно смотреть вверх.

Замена рабочего инструмента

► **Перед любыми манипуляциями с электроинструментом вытаскивайте штепсель из розетки.**

► **При смене рабочего инструмента надевайте защитные рукавицы.** При продолжительной работе сверлильный патрон может сильно нагреться.

Ключевой сверлильный патрон

Рукой, поворачивая муфту, откройте кулачок зажимного патрона и вставьте в патрон хвостовик насадки. Вручную затяните муфту патрона. Вставьте ключ в каждое из 3-х отверстий и затяните патрон, поворачивая ключ в направлении по часовой

стрелке. Очень важно, чтобы патрон был затянут через все 3 отверстия. Чтобы вынуть насадку, поверните патрон против часовой стрелки через одно отверстие, затем ослабьте его вручную.

При использовании бит-насадок всегда применяйте универсальный держатель бит-насадок. Используйте только биты-насадки, подходящие к головке винта.

Снятие ключевого патрона

Зажмите в патроне короткий конец шестигранного ключа. Мягким молотком ударяйте по длинному концу ключа, поворачивая его в направлении против часовой стрелки, удерживая дрель передней частью к себе. Ослабив патрон, отвинтите его вручную.

Установка ключевого патрона

Навинтите патрон вручную настолько возможно. Вставьте в патрон короткий конец шестигранного ключа и мягким молотком ударяйте по длинному концу ключа, поворачивая его в направлении по часовой стрелке.

Удаление пыли и стружки

Пыль некоторых материалов, как напр., красок с содержанием свинца, некоторых сортов древесины, минералов и металлов, может быть вредной для здоровья.

Прикосновение к пыли и попадание пыли в дыхательные пути может вызвать аллергические реакции и/или заболевания дыхательных путей оператора или находящегося вблизи персонала.

Определенные виды пыли, напр., дуба и бука, считаются канцерогенными, особенно совместно с присадками для обработки древесины (хромат, средство для защиты древесины). Материал с содержанием асбеста разрешается обрабатывать только специалистам.

– Хорошо проветривайте рабочее место.

– Рекомендуется пользоваться респираторной маской с фильтром класса P2.

Соблюдайте действующие в Вашей стране предписания для обрабатываемых материалов.

► Избегайте скопления пыли на рабочем месте. Пыль может легко воспламениться.

Работа с инструментом**Включение электроинструмента**

► **Примите во внимание напряжение в сети! Напряжение источника питания должно соответствовать данным на заводской табличке электроинструмента. Электроинструменты на 230 В могут работать также и при напряжении 220 В.**

Выбор направления вращения (см. рис. Н)


► **Приводите в действие переключатель направления вращения (3) только при остановленном электроинструменте.**

Установка направления вращения
Выключателем направления вращения можно изменять направление вращения электроинструмента. При вжатом выключателе это, однако, невозможно.


Правое вращение: Для сверления и завинчивания шурупов прижмите переключатель направления вращения до упора вправо.

Левое вращение: Для отпускания или отвинчивания шурупов и гаек прижмите переключатель направления вращения до упора влево.

Установка режима работы

Сверление и завинчивание/отвинчивание винтов Установите переключатель на символ  «Сверление».

Ударное сверление

Установите переключатель на символ  «Ударное сверление».

Переключатель отчетливо входит в зацепление и может переключаться при работающем моторе.

Включение/выключение

Для включения электроинструмента нажмите на выключатель и удерживайте его нажатым.

Для фиксации нажатого выключателя нажмите кнопку фиксирования.

Для выключения электроинструмента отпустите выключатель или, если он зафиксирован кнопкой фиксирования, нажмите коротко на выключатель а затем отпустите его.

Установка числа оборотов и ударов

Число оборотов/ударов включенного электроинструмента можно плавно регулировать, изменяя для этого усилие нажатия на выключатель.

При слабом нажатии на выключатель электроинструмент работает с низким числом оборотов/ударов. С увеличением силы нажатия число оборотов и ударов увеличивается.

Предварительный выбор числа оборотов и ударов При помощи установочного колеса числа оборотов настраивать необходимое число оборотов/ударов даже на работающем инструменте.

Необходимое число оборотов/ударов зависит от материала и рабочих условий и может быть определено пробным сверле-



нием.

Указания по применению

► **Перед любыми манипуляциями с электроинструментом вытаскивайте штепсель из розетки.**

► **Устанавливайте электроинструмент на винт или гайку только в выключенном состоянии.** Вращающиеся рабочие инструменты могут соскользнуть.

После продолжительной работы на малых оборотах электроинструмент для охлаждения требуется включить прикл. на 3 мин. на холостой ход с максимальным числом оборотов.

Для сверления в плитке установите переключатель на символ  «Сверление». Просверлив плитку, переведите переключатель на символ  «ударное сверление» и работайте с ударом.

Для работ в бетоне, каменной породе и кирпичной кладке применяйте твердосплавные сверла.

Для сверления металла применяйте только правильно заточенные сверла из быстрорежущей стали с маркировкой HSS (High Speed Steel).

Техобслуживание и сервис

Техобслуживание и очистка

► **Перед любыми манипуляциями с электроинструментом вытаскивайте штепсель из розетки.**

► **Для обеспечения качественной и безопасной работы содержите электроинструмент и вентиляционные прорези в чистоте.**

► **При экстремальных условиях работы всегда используйте по возможности устройство пылеудаления.** Часто продувайте вентиляционные щели и подкачайте инструмент через устройство защитного отключения. При обработке металлов внутри электроинструмента может откладываться токопроводящая пыль. Это может нанести ущерб защитной изоляции электроинструмента.

Регулярно проверяйте надежность крепления всех винтов. При обнаружении ослабленного винта немедленно затяните его. В противном случае Вы подвергаете себя риску получения травмы.

Заботливо храните и обращайтесь с принадлежностями.

Если требуется поменять шнур, во избежание опасности обращайтесь в авторизованную сервисную мастерскую для электроин-

струментов P.I.T.

Хранение и транспортировка

Установленный срок хранения машины составляет 2 года.

Во время установленного срока храните машину при температуре окружающей среды от 0°C до плюс 40°C и относительной влажности воздуха не более 80%.

Транспортировку машины осуществляйте только в фирменной упаковке.

Перед упаковкой снимите рабочий инструмент, сверните и зафиксируйте шнур.

Утилизация

Отслужившие свой срок электроинструменты, принадлежности и упаковку следует сдавать на экологически чистую переработку отходов.



Утилизируйте электроинструмент

отдельно от бытового мусора!

РАСШИФРОВКА ДАТЫ ИЗГОТОВЛЕНИЯ ИЗДЕЛИЯ

№.

1	7	0	7	3	0	0	3	9	5
---	---	---	---	---	---	---	---	---	---

год месяц день

Дата изготовления изделия зашифрована в серийном номере, напечатанном на корпусе инструмента. Первые 2 цифры обозначают год выпуска, следующие 2 цифры – месяц и следующие 2 цифры – день.

УСЛОВИЯ ГАРАНТИЙНОГО ОБСЛУЖИВАНИЯ

1. Настоящее гарантийное свидетельство является единственным документом, подтверждающим ваше право на бесплатное гарантийное обслуживание. Без предъявления данного свидетельства претензии не принимаются. В случае утери или порчи гарантийное свидетельство не восстанавливается.

2. Гарантийный срок на электроинструмент составляет 12 месяцев со дня продажи, в течение гарантийного срока сервисная служба бесплатно устраняет производственные дефекты и производит замену деталей, вышедших из строя по вине изготовителя. На период гарантийного ремонта эквивалентный исправный инструмент не

предоставляется. Заменяемые детали переходят в собственность служб сервиса.

Компания P.I.T. не несет ответственности за вред, который может быть причинен при работе с электроинструментом.

3. В гарантийный ремонт инструмент принимается в чистом виде, при обязательном наличии надлежащим образом оформленных документов: настоящего гарантийного свидетельства, гарантийного талона, с полностью заполненными полями, штампом торговой организации и подписью покупателя.

4. Гарантийный ремонт не производится в следующих случаях:

- при отсутствии гарантийного свидетельства и гарантийного талона или неправильном их оформлении;

- при совместном выходе из строя якоря и статора электродвигателя, при обугливание или оплавлении первичной обмотки трансформатора сварочного аппарата, зарядного или пуска-зарядного устройства, при оплавлении внутренних деталей, прожиге электронных плат;

- если гарантийное свидетельство или талон не принадлежат данному электроинструменту или не соответствует установленному поставщиком образцу;

- по истечении срока гарантии;
- при попытках самостоятельного вскрытия или ремонта электроинструмента вне гарантийной мастерской;

- внесения конструктивных изменений и смазки инструмента в гарантийный период, о чем свидетельствуют, например, заломы на шлицевых частях крепежа корпусных деталей.

- при использовании электроинструмента в производственных или иных целях, связанных с получением прибыли, а также при возникновении неисправностей связанных с нестабильностью параметров электросети, превышающих нормы, установленные ГОСТ;

- при неправильной эксплуатации (использование электроинструмента не по назначению, установки на электроинструмент не предназначенных заводом-изготовителем насадок, дополнительных приспособлений и т.п.;

- при механических повреждениях корпуса, сетевого шнура и при повреждениях, вызванных воздействием агрессивных средств и высоких и низких температур, попадании инородных предметов в венти-

ляционные решетки электроинструмента, а также при повреждениях, наступивших в результате неправильного хранения (коррозия металлических частей);

- при естественном износе деталей электроинструмента, в результате длительной эксплуатации (определяется по признакам полной или частичной выработки ресурса, сильного загрязнения, ржавчины снаружи и внутри электроинструмента, отработанной смазки в редукторе);

- использование инструмента не по назначению, указанному в инструкции по эксплуатации.

- при механических повреждениях инструмента;

- при возникновении повреждений в связи с несоблюдением предусмотренных инструкцией условий эксплуатации (см. главу «Указание по технике безопасности» в инструкции).

- повреждение изделия вследствие несоблюдения правил хранения и транспортировки.

Профилактическое обслуживание электроинструмента (чистка, промывка, смазка, замена пыльников, поршневых и уплотнительных колец) в гарантийный период является платной услугой.

Срок службы изделия установлен изготовителем и составляет 2 года со дня изготовления.

О возможных нарушениях, изложенных выше условий гарантийного обслуживания, владельцу сообщается после проведения диагностики в сервисном центре.

Владелец инструмента доверяет проведение диагностики в сервисном центре в свое отсутствие.

Запрещается эксплуатация электроинструмента при проявлении признаков повышенного нагрева, искрения, а также шума в редукторной части. Для выяснения причин неисправности покупателю следует обратиться в гарантийную мастерскую.

Неисправности, вызванные несвоевременной заменой угольных щеток двигателя, устраняются за счет покупателя.

5.Гарантия не распространяется на:

- сменные принадлежности (аксессуары и оснастка), например: аккумуляторы, диски, ножи, сверла, буры, патроны, цепи, звездочки, цанговые зажимы, шины, элементы натяжения и крепления, головки триммеров, подошвы шлифовальных и ленточных машин, фильтры, головки шестигранные и

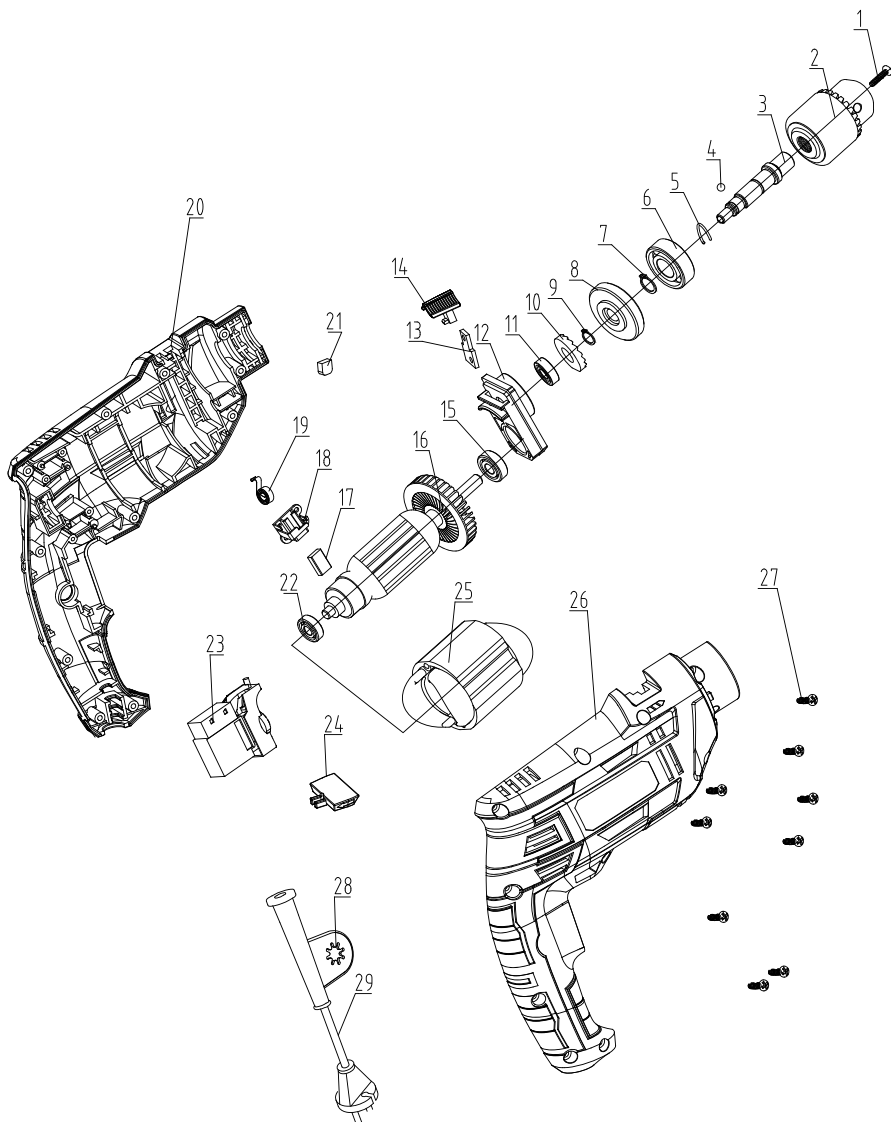
т.п.

- быстроизнашивающиеся детали, например: угольные щетки, приводные ремни, сальники, защитные кожухи, направляющие ролики, направляющие, резиновые уплотнения, подшипники, зубчатые ремни и колеса, стволы, ленты тормоза, храповики и тросы стартеров, поршневые кольца и т.п.

Замена их в течение гарантийного срока является платной услугой.

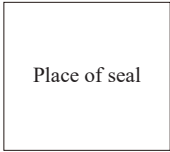
-шнуры питания, в случае повреждения изоляции, шнуры питания подлежат обязательной замене без согласия владельца (услуга платная), в т.ч. корпуса инструмента.

PSB13-C2 / PSB13-C7



P.I.T. WARRANTY CERTIFICATE

Product Name _____
Product Number
Serial Number
Sale Date _____
Trade Organization Name _____



Dear customer!
Thank you for purchasing the P.I.T tool, and we hope that you will be satisfied with your choice. In the process of manufacturing the P.I.T tools pass multilevel quality control, if nevertheless your product will need maintenance, please contact the authorized P.I.T service centers.

Attention!
When buying, ask a seller to check the completeness and operability of the tool, to fill out the Warranty Certificate, the Warranty Card (the boxes shall be filled out by a seller) and to affix the seal of the trade organization in the Guarantee Certificate and the Warranty Card.

Warranty
By this Warranty Certificate, P.I.T. company guarantees the absence of defects of the production nature.

In the event any of the above defects are detected during the warranty period, the specialized P.I.T. service centers shall repair the product and replace the defective spare parts free of charge.

The warranty period for P.I.T. electric machines is 12 months from the date of sale.

“The warranty maintenance terms acknowledged and accepted. The operability and completeness of the product are checked in my presence. No claims on quality and appearance.”

Buyer's Signature _____ Surname (legibly) _____

Phone _____

ГАРАНТИЙНОЕ СВИДЕТЕЛЬСТВО НА ИНСТРУМЕНТ P.I.T.

Наименование изделия _____

Артикул изделия □□□□□□□□□□

Серийный номер □□□□□□□□□□

Дата продажи « ____ » _____

Наименование торговой организации _____

Уважаемый покупатель!

Благодарим Вас за покупку инструмента P.I.T. и надеемся, что Вы останетесь довольны своим выбором. В процессе производства инструменты P.I.T. проходят многоуровневый контроль качества, если тем не менее Ваше изделие будет нуждаться в обслуживании, просим Вас обращаться в авторизованные сервисные центры P.I.T.

Внимание!

При покупке требуйте у продавца проверки комплектности и работоспособности инструмента, заполнение гарантийного свидетельства, гарантийного талона (графы заполняются продавцом) и простановки печати торговой организации в гарантийном свидетельстве и гарантийном талоне.

Гарантия

На основании данного гарантийного свидетельства компания P.I.T. гарантирует отсутствие дефектов производственного характера.

Если в течении гарантийного срока в Вашем изделии тем не менее обнаружатся указанные дефекты, специализированные сервисные центры P.I.T. бесплатно отремонтируют изделие и заменят дефектные запасные части.

Гарантийный срок на электроинструменты P.I.T. составляет 12 месяцев со дня продажи.

«С условиями гарантийного обслуживания ознакомлен(а). Работоспособность и комплектность изделия проверены в моем присутствии. Претензий к качеству и внешнему виду не имею».

Подпись покупателя _____ Фамилия (разборчиво) _____

Телефон _____






P.I.T. WARRANTY CARD

Name _____ Serial Number _____ Sale Date _____ 20__ Date of Receipt from Repair _____ 20__	P.I.T. [®] № 1	
	Name _____	Place of Seal
	Serial Number _____	
	Sale Date _____ 20__	
	(Filled out by a Seller)	
	WARRANTY REPAIR CARD	
	Date of Acceptance for Repair _____ 20__	
	Application for Repair _____	
	Customer _____	
	Phone (Address) _____	
Cause of Application _____		
Date of Receipt from Repair _____ 20__		
The Tool is checked in my presence _____		
(The Order shall be performed in a Service Center) (Signature)		

Name _____ Serial Number _____ Sale Date _____ 20__ Date of Receipt from Repair _____ 20__	P.I.T. [®] № 2	
	Name _____	Place of Seal
	Serial Number _____	
	Sale Date _____ 20__	
	(Filled out by a Seller)	
	WARRANTY REPAIR CARD	
	Date of Acceptance for Repair _____ 20__	
	Application for Repair _____	
	Customer _____	
	Phone (Address) _____	
Cause of Application _____		
Date of Receipt from Repair _____ 20__		
The Tool is checked in my presence _____		
(The Order shall be performed in a Service Center) (Signature)		

Name _____ Serial Number _____ Sale Date _____ 20__ Date of Receipt from Repair _____ 20__	P.I.T. [®] № 3	
	Name _____	Place of Seal
	Serial Number _____	
	Sale Date _____ 20__	
	(Filled out by a Seller)	
	WARRANTY REPAIR CARD	
	Date of Acceptance for Repair _____ 20__	
	Application for Repair _____	
	Customer _____	
	Phone (Address) _____	
Cause of Application _____		
Date of Receipt from Repair _____ 20__		
The Tool is checked in my presence _____		
(The Order shall be performed in a Service Center) (Signature)		

ГАРАНТИЙНЫЙ ТАЛОН P.I.T.

 Талон № 1	
Наименование _____ Серийный номер _____ Дата продажи «____» _____ 20__ Place of Seal (Заполняется продавцом) КАРТА ГАРАНТИЙНОГО РЕМОНА Дата приема ремонт _____ 20__ Заявка на ремонт _____ Заказчик _____ Телефон (адрес) _____ Причина обращения _____ Дата получения от ремонта _____ 20__ Инструмент проверен в моем присутствии _____ (Заказ заполняется в Сервисном Центре) (Подпись)	Наименование _____ Серийный номер _____ 20__ Дата продажи _____ 20__ Дата получения от ремонта _____ 20__
 Талон № 2	
Наименование _____ Серийный номер _____ Дата продажи «____» _____ 20__ Place of Seal (Заполняется продавцом) КАРТА ГАРАНТИЙНОГО РЕМОНА Дата приема ремонт _____ 20__ Заявка на ремонт _____ Заказчик _____ Телефон (адрес) _____ Причина обращения _____ Дата получения от ремонта _____ 20__ Инструмент проверен в моем присутствии _____ (Заказ заполняется в Сервисном Центре) (Подпись)	Наименование _____ Серийный номер _____ 20__ Дата продажи _____ 20__ Дата получения от ремонта _____ 20__
 Талон № 3	
Наименование _____ Серийный номер _____ Дата продажи «____» _____ 20__ Place of Seal (Заполняется продавцом) КАРТА ГАРАНТИЙНОГО РЕМОНА Дата приема ремонт _____ 20__ Заявка на ремонт _____ Заказчик _____ Телефон (адрес) _____ Причина обращения _____ Дата получения от ремонта _____ 20__ Инструмент проверен в моем присутствии _____ (Заказ заполняется в Сервисном Центре) (Подпись)	Наименование _____ Серийный номер _____ 20__ Дата продажи _____ 20__ Дата получения от ремонта _____ 20__



Поставщик / производитель: Xinjiang Longbo Industrial Co., Ltd./Синзянь Лонгбо Индастриал Ко., Лтд.

Адрес производства: Rm. 602, 6th Floor, No. 531, Weixing Road, Economic And Technological Development Zone, Urumqi, Xinjiang, China / Оф.602, 6 этаж, №531, Вейшинг Рoad, Экономик Энд Технолджикал Девелопмент Зон, Урумчи, Синзянь, Китай

Импортер/ организация, уполномоченная принимать претензии: ООО «Турбо-Тулс»

Юридический адрес: 614058, Пермский край, г. Пермь, ул. Фоминская, 36
info@pittools.ru

Сделано в КНР / Made in China

