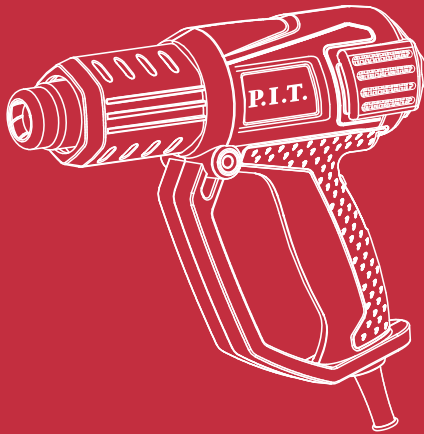


P.I.T.

PHG2000-C



HOT AIR GUN

СТРОИТЕЛЬНЫЙ ФЕН

2000W

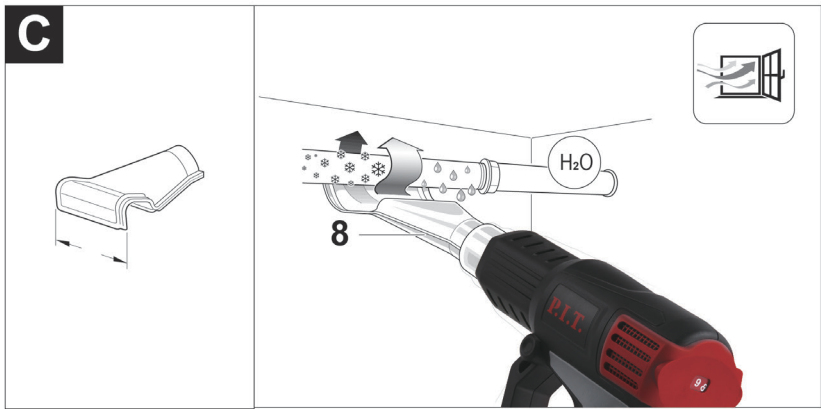
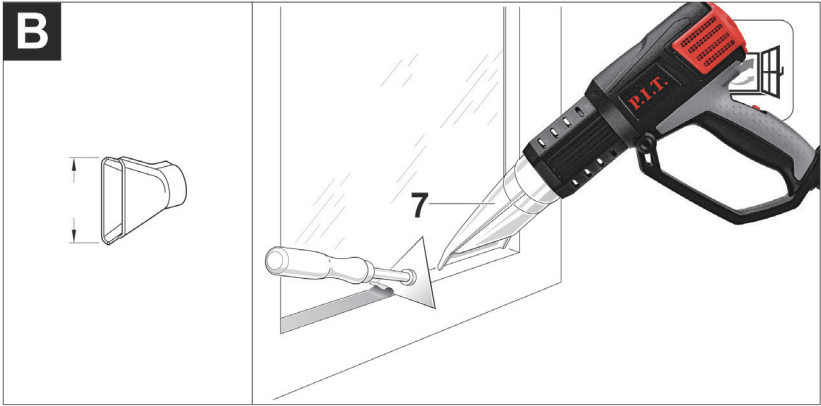
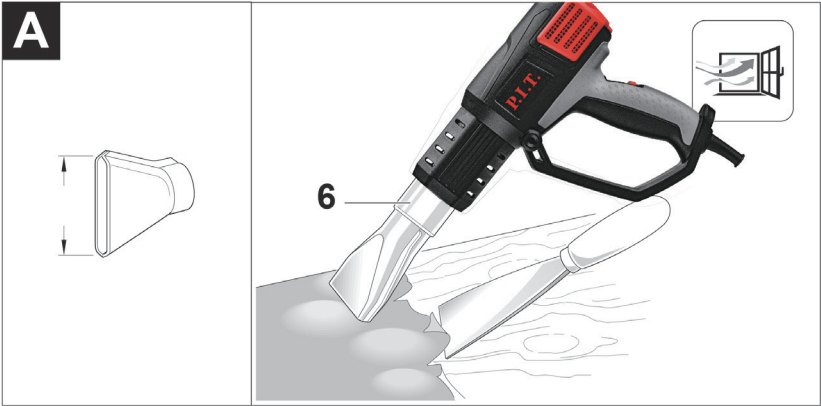
**Powerful
Efficient**

Please read the instruction manual carefully before use!

Пожалуйста, внимательно прочтите инструкцию перед использованием!







English

Safety Notes

General power tool safety warnings



WARNING Read all safety warnings and all instructions. Failure to follow the warnings and instructions may result in electric shock, fire and/or serious injury.

Save all warnings and instructions for future reference.

Workplace safety

- ▶ Keep your work area clean and well lit. Clutter or unlit areas of the workplace can lead to accidents.
- ▶ Do not use this power tool in an explosive environment containing flammable liquids, flammable gases or dust. Power tools generate sparks which may ignite the dust or fumes.
- ▶ Keep children and bystanders away from your work area while using power tools. Distractions can cause you to lose control of the power tool.

Electrical safety

- ▶ The plug of the power tool must match the socket. Do not modify the plug in any way. Do not use power tool adapter plugs with protective earth. Unmodified plugs and suitable socket outlets reduce the risk of electric shock.
- ▶ Avoid body contact with grounded surfaces such as pipes, heating elements, stoves and refrigerators. Grounding your body increases the risk of electric shock.
- ▶ Protect power tools from rain and moisture. Water entering a power tool increases the risk of electric shock.
- ▶ Do not use the cord for purposes other than intended, such as transporting or hanging a power tool, or pulling the plug from a socket outlet. Protect cord from heat, oil, sharp edges, or moving parts of power tools. A damaged or entangled cord increases the risk of electric shock.
- ▶ When working with power tools outdoors, use suitable extension cords. Use of an outdoor-suitable extension cable reduces the risk of electric shock.
- ▶ If the use of the power tool in a damp environment cannot be avoided, connect the power tool via a residual current device. The use of a residual current device reduces the risk of electrical shock.

People safety

- ▶ Stay alert, watch what you are doing and use the power tool wisely. Do not use power tools when you are tired or under the influence of drugs, alcohol or medication. One moment of inattention while operating a power tool can result in serious injury.
- ▶ Wear personal protective equipment and always wear safety goggles. The use of personal protective equipment such as a face shield, non-slip shoes, a hard hat or hearing protection, depending on the type of power tool operation, reduces the risk of injury.
- ▶ Prevent the power tool from being switched on unintentionally. Before connecting the power tool to the power supply and/or battery, make sure that the power tool is switched off. Holding your finger on the switch while transporting and plugging in the power tool while it is on can cause an accident.
- ▶ Remove the setting tool or wrenches before switching on the power tool. A tool or wrench placed in a rotating part of a power tool can cause injury.
- ▶ Do not assume an unnatural body position. Always take a stable position and keep your balance. This gives you better control of the power tool in unexpected situations.
- ▶ Wear suitable work clothes. Do not wear loose clothing or jewelry. Keep hair, clothing and gloves away from moving parts. Loose clothes, jewelry or long hair can be caught in rotating parts.
- ▶ If it is possible to install dust extractors and dust collectors, check their connection and correct use. The use of a vacuum cleaner can reduce the danger posed by dust.
- ▶ ▶ Good knowledge of power tools, gained as a result of their frequent use, should not lead to self-confidence and disregard for safe handling of power tools. One careless action in a fraction of a second can result in serious injury.
- ▶ **ATTENTION!** In the event of an interruption in the operation of the power tool due to a complete or partial interruption of the power supply or power control circuit is damaged, turn the switch to the off position, making sure it is not locked (if any). Disconnect the mains plug from the socket or remove the removable battery. This prevents an uncontrolled restart.
- ▶ Qualified personnel in accordance with this

manual means persons who are familiar with the adjustment, installation, commissioning and maintenance of power tools.

- ▶ Only persons over 18 years of age who have read the technical description, operating instructions and safety rules are allowed to work with power tools.
- ▶ **This heat gun is not intended for use by children or persons with physical, sensory or mental limitations or a lack of experience or knowledge. This heat gun can be used by children aged 8 or older and by persons who have physical, sensory or mental limitations or a lack of experience or knowledge if a person responsible for their safety supervises them or has instructed them in the safe operation of the heat gun and they understand the associated dangers.** Otherwise there is a risk of operating errors and injury.
- ▶ **Supervise children during use, cleaning and maintenance.** This will ensure that children do not play with the heat gun.

Power tool use and handling

- ▶ Do not overload the power tool. Use the power tool intended for this purpose for your work. With the right power tool, you work better and more reliably in the specified power range.
- ▶ Do not operate the power tool if the switch is defective. A power tool that cannot be turned on or off is dangerous and must be repaired.
- ▶ Before setting up the power tool, changing accessories or storing the power tool, unplug the mains plug and/or remove the battery if possible. This precaution prevents the power tool from being switched on unintentionally.
- ▶ Keep power tools out of the reach of children. Do not allow anyone who is not familiar with it or who has not read these instructions to use the power tool. Power tools are dangerous in the hands of inexperienced persons.
- ▶ Take good care of your power tool. Check the function and running of the moving parts of the power tool for perfect function, for breakage or damage that would impair the function of the power tool. Damaged parts must be repaired before using the power tool. Poor maintenance of power tools is the cause of a large number of accidents.

- ▶ Keep cutting tools sharp and clean. Carefully maintained cutting tools with sharp cutting edges jammed and easier to drive.
- ▶ Use power tools, accessories, work tools, etc. in accordance with these instructions. Consider the working conditions and the work to be done. Use of power tools for unintended work can lead to dangerous situations.
- ▶ Keep handles and gripping surfaces dry and clean and free from oil or grease. Slippery handles and gripping surfaces prevent safe handling of the tool and prevent reliable control in unforeseen situations.

Heat gun safety instructions

- ▶ **Handle the power tool with care.** The power tool produces intense heat which increases the risk of fire and explosion.
- ▶ **Take particular care when working in the vicinity of flammable materials.** The hot airflow or hot nozzle may ignite dust or gases.
- ▶ **Do not work with the power tool in potentially explosive areas.**
- ▶ **Do not aim the hot airflow at the same area for prolonged periods.** Working with plastic, paint, varnish or similar materials may produce easily flammable gases.
- ▶ **Please be aware that heat is directed to covered flammable materials, which may ignite.**
- ▶ **Safely place the power tool on the storage surfaces after use and let it cool completely before packing it away.** The hot nozzle can cause damage.
- ▶ **Do not leave the switched-on power tool unattended.**



Keep your work area well-ventilated. The gas and steam produced during work are often harmful to one's health.

- ▶ **Wear protective gloves and do not touch the nozzle while it is hot.** There is a risk of burns.
- ▶ **Do not direct the airflow at persons or animals.**
- ▶ **Do not use the power tool as a hair dryer.** The outgoing airflow is considerably hotter than that of a hair dryer.
- ▶ **Do not allow foreign objects to enter the power tool.**
- ▶ **The distance between the nozzle and the workpiece depends on the material you are working on (metal, plastic, etc.) and the intended working method.** Al-

ways test the amount of air and temperature first.

Product description and specifications



Read all the safety and general instructions. Failure to observe the safety and general instructions may result in electric shock, fire and/or serious injury.

Please observe the illustrations at the beginning of this operating manual.

Intended use

The power tool is intended for bending and welding plastic, stripping coats of paint and heating shrink tubing. It is also suitable for soldering and tinning, melting adhesive bonding and thawing water pipes.

The power tool is intended to be operated by hand, under supervision.

Product features

The numbering of the product features refers to the diagram of the power tool on the graphics page.

- (1) Nozzle
- (2) Vent
- (3) Chassis
- (4) Temperature adjustment knob
- (5) Mode switch/switch

Technical parameter

Model	PHG2000-C
Rated voltage	220 V~/50 Hz
Rated output capacity	2000 W
Operational temperature	50 °C /600 °C
Air stream	I-250/II-350/III-500L/min
Weight	0.9 kg

Contents of delivery

- Hot air gun 1pc
- Flat head piece with baffle 1pc
- Round head piece 1pc
- Glass head piece 1pc
- Scraper 1pc
- Universal head piece 1pc
- Instruction manual 1pc

Note

Technical errors and typographical errors may be made in the text and numerical designations of the instructions.

Since the product is constantly being improved, P.I.T. reserves the right to make changes to the specifications and product specifications specified here without prior notice.

tice.

Operation

Starting operation

► **Pay attention to the mains voltage.** The voltage of the power source must match the voltage specified on the rating plate of the power tool.

Switching On

Turn on the tool by setting the switch to one of the following positions:

- 1.Position - flow rate 250l/min, flow temperature 50 °C ;
- 2.Position - flow rate 350l/min, flow temperature 50-600 °C ;
- 3.Position - flow rate 500l/min, flow temperature 50-600 °C .

Determine the correct temperature on an inconspicuous part of the workpiece. Start at a low temperature. The temperature decreases as the distance between the workpiece and the air outlet/tip increases, the required temperature depends on the material being processed.

Thermal protection shutdown: If the power tool overheats(e.g. due to a build-up of air), the heating system will automatically switch off, though the blower will continue to run.

Once the power tool has cooled back down to its operating temperature, the heating system will automatically switch on again.

Switching Off

To turn off the hair dryer, turn the switch to position 0.

Temperature control

When switching to modes II and III, the temperature is adjusted by rotating dial 4.

The numbers printed on the disk indicate the level of the set temperature - a larger number corresponds to a higher temperature from the set range. The numbers indicate only the position of the control dial and do not reflect the temperature of the outlet air expressed in degrees.

When the maximum temperature is reached, the heater will turn off automatically. When it cools down below the set temperature, it will turn on again.

Determine the correct temperature on an inconspicuous part of the workpiece. Start at a low temperature. The temperature decreases as the distance between the workpiece and the air outlet/tip increases, the required temperature depends on the material being processed.

► **After working at high temperatures for**

a prolonged period, let the power tool cool down before switching it off. To do this, allow it to run on the lowest temperature setting for a short while.

ATTENTION! Before turning off, let the hair dryer run in the "I" mode for 1-2 minutes.

Directions for use

- ▶ **Before any manipulation pull out with a power tool plug from the socket.**

Note: Do not close the nozzle too far close to the workpiece. Who-the low pressure of the air flow can cause the power tool to overheat.

Removing thermal protection (if any)

When working in particularly narrow spaces, turn that you can dismantle the thermal protection.

- ▶ Beware of the hot nozzle! At operation without thermal protection occurs increased risk of burns.

To remove or put on thermal protection, yo turn on the power tool and let it cool down.

For faster cooling of electrical tool, let it run for a short some time on the lowest configurable temperature.

Setting down the power tool

Set the power tool down on the storage surfaces to leave it to cool down or to keep both hands free to work with.

- ▶ **Take particular care when working in the vicinity of the power tool while it has been set aside.** The heat from the nozzle or the air flow can cause burns.

Position the power tool on an even, stable surface. Ensure that it cannot tip over. Secure the cable outside of your working area so that it cannot pull the power tool down or cause it to flip over.

Switch the power tool off when not in use for a long period and pull the mains plug out of the socket.

Example applications (see figures A–C)

Images of example applications can be found on the graphics pages.

The distance between the nozzle and the workpiece depends on the material you are working on (metal, plastic etc.) and the intended working method.

The optimum temperature for each application can be determined by a practical test.

Always test the amount of air and temperature first. Start at a greater distance and a lower power setting. Then adjust the distance and power setting according to requirements.

If you are unsure what material you are working on or what effect the hot air might have on

it, first test the effect on a concealed area.

All example applications apart from "Stripping paint from window frames" can be carried out without the use of accessories.

However, using the recommended accessories will simplify the work and considerably increase the quality of the result.

- ▶ **Take care when changing the nozzle. Do not touch the nozzle while it is hot. Leave the power tool to cool down before changing the nozzle, and wear protective gloves when doing so.** The heat from the nozzle can cause burns.

To make the power tool cool down quicker, you can also let it run briefly on its lowest temperature setting.

Removing varnish/loosening adhesives(see figure A)

Fit the surface nozzle(accessory). Briefly soften the varnish with hot air and remove it with a clean spatula. Long heat exposure burns the varnish and makes removal more difficult. Many adhesives can be softened using heat. By heating adhesives,you can break connections or remove excess adhesive.

Stripping paint from window frames (see figure B)

- ▶ **The glass protection nozzle(accessory) must be used for this application.** There is a risk that the glass may break.

You can remove the paint from profiled surfaces with a suitable spatula and brush it off with a soft wire brush.

Thawing frozen water pipes (see figure C)

- ▶ **Before applying heat to the pipe, check it is in fact a water pipe.** Water pipes and gas pipes often look identical from the outside. Gas pipes must under no circumstances be heated.

Fit the angle nozzle(accessory). Gradually heat the frozen points of the pipe, starting at the outlet and moving back towards the inlet.

Take great care when warming plastic pipes and pipe connections to avoid causing damage.

Maintenance and Service

Maintenance and Cleaning

- ▶ Pull the plug out of the socket before carrying out any work on the power tool.
- ▶ To ensure safe and efficient operation, always keep the power tool and the ventilation slots clean.

In order to avoid safety hazards, if the power supply cord needs to be replaced, this must be done by P.I.T. or by an after-sales service

(2) Excessive pressure is applied to the tool during the use of the tool.

(3) Use the tool outside the scope of its purpose and capabilities.

(4) Damage caused by the tool working in a dusty environment for a long time without timely maintenance of the tool.

(5) Change the rotation direction of the work head before the tool stops completely.

(6) Shock the battery or charger and replace the plug of the charger without permission, causing damage to the battery or charger.

(7) Damage caused by two-stroke gasoline tools not being fueled in the correct proportions.

The warranty does not include:

1. Replacement of accessories (accessories and components) such as batteries, discs, blades, drills, chucks, chains, sprockets, collet clamps, guide rails, tension and fastening elements, dresser heads, grinders And belt sander base machine, hexagonal head, etc.;

2. Wearing parts, such as: carbon brushes, transmission belts, seals, protective covers, guide rollers, guide rails, rubber seals, bearings, toothed belts and wheels, shanks, brake belts, starter ratchets and ropes, piston rings Wait.

The above accessories are replaced with paid services during the warranty period;

Русский

Общие указания по технике безопасности для электроинструментов



ПРЕДУПРЕЖДЕНИЕ Прочтите все указания и инструкции по технике безопасности.

Несоблюдение указаний и инструкций по технике безопасности может стать причиной поражения электрическим током, пожара и тяжелых травм.

Сохраняйте эти инструкции и указания для будущего использования.

Безопасность рабочего места

- ▶ Содержите рабочее место в чистоте и хорошо освещенным. Беспорядок или неосвещенные участки рабочего места могут привести к несчастным случаям.
- ▶ Не работайте с этим электроинструментом во взрывоопасном помещении, в котором находятся горючие жидкости, воспламеняющиеся газы или пыль. Электроинструменты искрят, что может привести к воспламенению пыли или паров.
- ▶ Во время работы с электроинструментом не допускайте близко к Вашему рабочему месту детей и посторонних лиц. Отвлечшись, Вы можете потерять контроль над электроинструментом.

Электробезопасность

- ▶ Штепсельная вилка электроинструмента должна подходить к штепсельной розетке. Ни в коем случае не изменяйте штепсельную вилку. Не применяйте переходные штекеры для электроинструментов с защитным заземлением. Неизменные штепсельные вилки и подходящие штепсельные розетки снижают риск поражения электротоком.
- ▶ Предотвращайте телесный контакт с заземленными поверхностями, как то: с трубами, элементами отопления, кухонными плитами и холодильниками. При заземлении Вашего тела повышается риск поражения электротоком.
- ▶ Защищайте электроинструмент от дождя и сырости. Проникновение воды в электроинструмент повышает риск поражения электротоком.
- ▶ Не разрешается использовать шнур не по назначению, например, для транспортировки или подвески электроинструмента, или для вытягива-

ния вилки из штепсельной розетки. Защищайте шнур от воздействия высоких температур, масла, острых кромок или подвижных частей электроинструмента. Поврежденный или спутанный шнур повышает риск поражения электротоком.

- ▶ При работе с электроинструментом под открытым небом применяйте пригодные для этого кабели удлинители. Применение пригодного для работы под открытым небом кабеля удлинителя снижает риск поражения электротоком.
- ▶ Если невозможно избежать применения электроинструмента в сыром помещении, подключайте электроинструмент через устройство защитного отключения. Применение устройства защитного отключения снижает риск электрического поражения.

Безопасность людей

- ▶ Будьте внимательными, следите за тем, что Вы делаете, и продуманно начинайте работу с электроинструментом. Не пользуйтесь электроинструментом в усталом состоянии или если Вы находитесь в состоянии наркотического или алкогольного опьянения или под воздействием лекарств. Один момент невнимательности при работе с электроинструментом может привести к серьезным травмам.
- ▶ Применяйте средства индивидуальной защиты и всегда защитные очки. Использование средств индивидуальной защиты, как то: защитной маски, обуви на нескользящей подошве, защитного шлема или средств защиты органов слуха, – в зависимости от вида работы с электроинструментом снижает риск получения травм.
- ▶ Предотвращайте непреднамеренное включение электроинструмента. Перед подключением электроинструмента к электропитанию и/или к аккумулятору убедитесь в выключенном состоянии электроинструмента. Удержание пальца на выключателе при транспортировке и подключение к сети питания включенного электроинструмента чревато несчастными случаями.
- ▶ Убирайте установочный инструмент или гаечные ключи до включения электроинструмента. Инструмент или

ключ, находящийся во вращающейся части электроинструмента, может привести к травмам.

- ▶ **Не принимайте неестественное положение корпуса тела.** Всегда занимайте устойчивое положение и сохраняйте равновесие. Благодаря этому Вы можете лучше контролировать электроинструмент в неожиданных ситуациях.
- ▶ **Носите подходящую рабочую одежду. Не носите широкую одежду и украшения.** Держите волосы, одежду и рукавицы вдали от движущихся частей. Широкая одежда, украшения или длинные волосы могут быть затянуты вращающимися частями.
- ▶ **При наличии возможности установки пылеотсасывающих и пылесборных устройств проверяйте их присоединение и правильное использование.** Применение пылесоса может снизить опасность, создаваемую пылью.
- ▶ **Хорошее знание электроинструментов, полученное в результате частого их использования, не должно приводить к самоуверенности и игнорированию техники безопасности обращения с электроинструментами.** Одно небрежное действие за долю секунды может привести к серьезным травмам.
- ▶ **ВНИМАНИЕ! В случае возникновения перебоев в работе электроинструмента вследствие полного или частичного прекращения энергоснабжения или повреждения цепи управления энергоснабжением установите выключатель в положение Выкл., убедившись, что он не заблокирован (при его наличии).** Отключите сетевую вилку от розетки или отсоедините съёмный аккумулятор. Этим предотвращается неконтролируемый повторный запуск.
- ▶ **Квалифицированный персонал в соответствии с настоящим руководством подразумевает лиц, которые знакомы с регулировкой, монтажом, вводом эксплуатацию обслуживанием электроинструмента.**
- ▶ **К работе с электроинструментом допускаются лица не моложе 18 лет, изучившие техническое описание, инструкцию по эксплуатации и правила безопасности.**
- ▶ **Этот фен не предназначен для использования детьми и лицами с ограниченными физическими, сен-**

сорными или умственными способностями или недостаточным опытом и знаниями. Пользоваться этим феном старше и лицам с ограниченными физическими, сенсорными или умственными способностями или с недостаточным опытом и знаниями запрещается. В противном случае существует опасность неправильного использования и получения травм.

- ▶ **Присматривайте за детьми во время пользования, при выполнении очистки и техобслуживания.** При этом следите за тем, чтобы дети не играли техническим феном.

Применение электроинструмента и обращение с ним

- ▶ **Не перегружайте электроинструмент.** Используйте для Вашей работы предназначенный для этого электроинструмент. С подходящим электроинструментом Вы работаете лучше и надежнее в указанном диапазоне мощности.
- ▶ **Не работайте с электроинструментом при неисправном выключателе.** Электроинструмент, который не поддается включению или выключению, опасен и должен быть отремонтирован.
- ▶ **Перед тем как настраивать электроинструмент, заменять принадлежностей или убирать электроинструмент на хранение, отключите штепсельную вилку от розетки сети и/или выньте, если это возможно, аккумулятор.** Эта мера предосторожности предотвращает непреднамеренное включение электроинструмента.
- ▶ **Храните электроинструменты в недоступном для детей месте.** Не разрешайте пользоваться электроинструментом лицам, которые не знакомы с ним или не читали настоящих инструкций. Электроинструменты опасны в руках неопытных лиц.
- ▶ **Тщательно ухаживайте за электроинструментом.** Проверяйте безупречную функцию и ход движущихся частей электроинструмента, отсутствие поломок или повреждений, отрицательно влияющих на функцию электроинструмента. Поврежденные части должны быть отремонтированы до использования электроинструмента. Плохое обслуживание электроинструментов является причиной большого числа несчастных

случаев.

- ▶ **Держите режущий инструмент в заточенном и чистом состоянии.** Заботливо ухоженные режущие инструменты с острыми режущими кромками реже заклиниваются и их легче вести.
- ▶ **Применяйте электроинструмент, принадлежности, рабочие инструменты и т. п. в соответствии с настоящими инструкциями.** Учитывайте при этом рабочие условия и выполняемую работу. Использование электроинструментов для непредусмотренных работ может привести к опасным ситуациям.
- ▶ **Держите ручки и поверхности захвата сухими и чистыми, следите чтобы на них чтобы на них не было жидкой или консистентной смазки.** Скользкие ручки и поверхности захвата препятствуют безопасному обращению с инструментом и не дают надежно контролировать его в непредвиденных ситуациях.

Указания по технике безопасности для строительного фена

- ▶ **Осторожно обращайтесь с этим электроинструментом.** Технический фен сильно нагревается, что приводит к повышенной опасности пожара и взрыва.
- ▶ **Будьте особенно осторожны при работах вблизи горючих материалов.** Горячий поток воздуха или горячее сопло могут поджечь пыль или газы.
- ▶ **Не работайте с техническим феном во взрывоопасной среде.**
- ▶ **Не направляйте горячий поток воздуха на одно и то же место в течение продолжительного времени.** Легковоспламеняющиеся газы могут возникать, напр., при обработке пластмасс, красок, лаков и тому подобных материалов.
- ▶ **Учтите, что тепло может поступить к накрытым горючим материалам и воспламенить их.**
- ▶ **После применения надежно положите электроинструмент и дайте ему полностью остыть на опорных поверхностях, прежде чем упаковывать его для хранения.** Горячее сопло может причинить ущерб.
- ▶ **Не оставляйте включенный электроинструмент без присмотра.**



Хорошо проветривайте рабочее место. Возникающие в процессе работы газы и пары часто являются

вредными для здоровья.

- ▶ **Носите защитные перчатки и не касайтесь горячего сопла.** Существует опасность ожога.
- ▶ **Не направляйте горячий поток воздуха на людей или животных.**
- ▶ **Не применяйте электроинструмент в качестве фена для волос.** Температура исходящего потока воздуха значительно выше, чем у фена для волос.
- ▶ **Следите за тем, чтобы в электроинструмент не попадали инородные тела.**
- ▶ **Расстояние от сопла до обрабатываемой детали зависит от обрабатываемого материала (металл, пластмасса и т.д.) и предусматриваемого типа обработки.** Всегда сначала проводите тест на предмет количества воздуха и температуры.

Описание продукта и услуг



Прочтите все указания и инструкции по технике безопасности. Упущения в отношении указаний и инструкций по технике безопасности могут стать причиной поражения электрическим током, пожара и тяжелых травм.

Применение по назначению

Данный электроинструмент предназначен для формовки и сварки пластмасс, удаления лакокрасочных покрытий и для нагревания термоусадочных трубок. От также пригоден для пайки и лужения, разделения клеевых соединений и для размораживания водопроводов.

Электроинструмент предназначен для ручного контролируемого применения.

Изображенные составные части

Нумерация представленных компонентов выполнена по изображению на странице с иллюстрациями.

- (1) Сопло
- (2) Вентиляция
- (3) Корпус
- (4) Регулирование Температуры
- (5) Переключатель режимов/выключатель

Технические характеристики

Модель	PHG2000-C
Напряжение	220 В / 50 Гц
Номинальная выходная мощность	2000 Вт
Рабочая Температура	50 °C / 600 °C

Модель	PHG2000-C
Воздушный поток	I-250/II-350/III-500 л/ мин
Вес	0,9 кг

Комплект поставки

Строительный Фен	1 шт
Плоская насадка с дефлектором	1 шт
Круглая насадка	1 шт
Угловая насадка	1 шт
Скребок	1 шт
Универсальная насадка	1 шт
Руководство по эксплуатации	1 шт

Примечание

В тексте и цифровых обозначениях инструкции могут быть допущены технические ошибки и опечатки.

Так как инструмент P.I.T. постоянно совершенствуется, компания оставляет за собой право вносить изменения в указанные здесь технические характеристики и комплектацию без предварительного уведомления.

Работа с инструментом

Включение электроинструмента

► **Учитывайте напряжение в сети!** Напряжение источника питания должно соответствовать данным на заводской табличке электроинструмента.

Образование дыма при первом включении

С завода металлические поверхности приходят с покрытием, защищающем их от коррозии. При первом включении это защитное покрытие испаряется.

Включение

Включите инструмент поставив переключатель в одно из положений:

1 положение - скорость потока 250л/мин, температура потока 50 С ;

2 положение - скорость потока 350л/мин, температура потока 50-600 С ;

3 положение - скорость потока 500л/мин, температура потока 50-600 С .

Определите правильную температуру на неприметной части заготовки. Начинайте с низкой температуры. Температура понижается при увеличении расстояния между заготовкой и отверстием для выпуска воздуха/наконечником, необходимая температура зависит от обрабатываемого материала.

Тепловая защита: При перегреве (например, при повышении напора воздуха) электроинструмент автоматически выключает

нагрев, оставляя включенным вентилятор. После охлаждения электроинструмента нагрев автоматически включается.

Выключение

Для выключения фена переведите выключатель в положение 0.

Регулировка температуры

При переключении в режимы II и III регулировка температуры осуществляется вращением диска 4.

Числа, нанесенные на диск, указывают уровень задаваемой температуры – большему числу соответствует большая температура из заданного диапазона. Числа указывают исключительно на положения регулировочного диска и не отражают температуру выходящего воздуха, выраженную в градусах. При достижении максимальной температуры нагреватель выключится автоматически. Когда он остынет ниже заданной температуры, он снова включится.

Определите правильную температуру на неприметной части заготовки. Начинайте с низкой температуры. Температура понижается при увеличении расстояния между заготовкой и отверстием для выпуска воздуха/наконечником, необходимая температура зависит от обрабатываемого материала.

► **После длительной работы на высокой температуре, прежде чем выключить электроинструмент, дайте ему остыть. Для этого дайте ему поработать короткое время на самой низкой настраиваемой температуре.**

ВНИМАНИЕ! Перед выключением необходимо дать фену поработать в режиме «I» в течение 1-2 минут.

Указания по применению

► **Перед любыми манипуляциями с электроинструментом вытаскивайте штепсель из розетки.**

Указание: Не подводите сопло слишком близко к обрабатываемой заготовке. Возникающий напор воздушного потока может привести к перегреву электроинструмента.

Снятие термозащиты (при ее наличии)

При работах в особо узких местах поворотно можно демонтировать термозащиту.

► **Остерегайтесь горячего сопла!** При работе без термозащиты возникает повышенная опасность ожога.

Чтобы снять или надеть термозащиту, выключите электроинструмент и дайте ему остыть.

Для более быстрого охлаждения электроинструмента, дайте ему поработать короткое время на самой низкой настраиваемой температуре.

Откладывание электроинструмента в сторону

Установите электроинструмент на опорную поверхность, чтобы дать ему остыть или освободить обе руки для работы.

► **Соблюдайте особую осторожность, работая при отложенном в сторону электроинструменте!** Вы можете обжечься горячим соплом или потоком горячего воздуха.

Располагайте электроинструмент на ровной стабильной поверхности. Убедитесь, что электроинструмент нельзя опрокинуть. Закрепляйте кабель вне рабочей зоны так, чтобы электроинструмент нельзя было опрокинуть или стянуть.

Если электроинструмент длительное время не используется, выключите его и выньте штепсель из розетки.

Примеры возможных видов работы (см. рис. А–С)

Рисунки с примерами работы Вы найдете на страницах с изображениями.

Расстояние от сопла до обрабатываемой детали зависит от обрабатываемого материала (металл, пластмасса и т.д.) и предусматриваемого типа обработки.

Оптимальная температура для конкретной работы определяется на практике экспериментальным путем.

Всегда сначала проводите тест на предмет количества воздуха и температуры. Начиная с большого расстояния и низкой степени мощности. Затем по потребности регулируйте расстояние и степень мощности.

Если не уверены, какой материал обрабатывается или какое воздействие на материал окажет обработка горячим воздухом, попробуйте сначала обработать скрытый от глаз участок.

Во всех примерах возможных работ, кроме «Удаление лакокрасочного покрытия с оконных рам», можно работать без принадлежностей. Использование предложенных принадлежностей упрощает работу и значительно повышает качество результата.

► **Соблюдайте осторожность при смене сопла! Не касайтесь горячего сопла. Дайте электроинструменту остыть и пользуйтесь при смене перчатками.** О горячее сопло можно обжечься.

Для более быстрого охлаждения электроинструмента, дайте ему поработать короткое время на самой низкой настраиваемой температуре.

Снятие лака/термоплавкого клея (см. рис. А)

Наденьте плоское сопло(насадку). Размягчите лак, недолго обработав его горячим воздухом, и снимите лак чистым шпателем. При длительном воздействии высокой температуры лак сгорает, что осложняет его удаление.

Многие клеящие средства размягчаются под воздействием тепла. Нагрев клея позволяет разъединять соединения или убирать излишки клея.

Удаление лакокрасочного покрытия с оконных рам(см. рис. В)

► **Обязательно используйте стеклозащитное сопло(насадку с дефлектором).** Опасность трескания стекла.

На поверхностях с профилем Вы можете снимать лак шпателем с соответствующей формой или счищать мягкой проволочной щеткой.

Оттаивание водопровода (см. рис. С)

► **Перед оттаиванием убедитесь, что это действительно водопровод.** Водопроводы снаружи часто не отличаются от газопроводов. Газопроводы нельзя ни в коем случае нагревать.

Наденьте угловое сопло(насадку). Отогревайте замерзшие места преимущественно от выхода ко входу.

Нагревайте пластмассовые трубы и соединения между трубами особенно осторожно, чтобы избежать повреждений.

Техобслуживание и сервис

Техобслуживание и очистка

- Перед любыми манипуляциями с электроинструментом вытаскивайте штепсель из розетки.
- Для обеспечения качественной и безопасной работы содержите электроинструмент и вентиляционные прорези в чистоте.

Если требуется поменять шнур, во избежание опасности обращайтесь на фирму P.I.T или в авторизованную сервисную мастерскую для электроинструментов P.I.T.

Сервис

- Ремонт вашего электроинструмента поручайте только квалифицированному персоналу и только с применением

и т.п.;

- при механических повреждениях корпуса, сетевого шнура и при повреждениях, вызванных воздействиями агрессивных средств и высоких и низких температур, попадании инородных предметов в вентиляционные решетки электроинструмента, а также при повреждениях, наступивших в результате неправильного хранения (коррозия металлических частей);

- при естественном износе деталей электроинструмента, в результате длительной эксплуатации (определяется по признакам полной или частичной выработки ресурса, сильного загрязнения, ржавчины снаружи и внутри электроинструмента, отработанной смазки в редукторе);

- при возникновении повреждений в связи с несоблюдением предусмотренных инструкцией условий эксплуатации (см. главу «Указание по технике безопасности» в инструкции).

- при повреждении изделия вследствие несоблюдения правил хранения и транспортировки;

- при сильном внутреннем загрязнении инструмента;

- при работе с перегрузкой бензоинструмента, изменении цвета чашки и муфты сцепления в результате перегрева;

- при обрыве шнура стартера при условии исправности остальных деталей пускового устройства;

- на все виды работ, выполняемые при периодическом техническом обслуживании (регулировка, чистке, замене расходных материалов и др.);

- на неисправности, возникшие в результате нарушения требований и правил эксплуатации, установленным паспортом изделия. Например, перегрев изделия, несоблюдение требований к составу и качеству топливной смеси, повлекших выход из строя поршневой группы (безусловным признаком этого является залегание поршневого кольца и/или наличие царапин и потертостей на внутренней поверхности цилиндра и поверхности поршня, разрушение или оплавление опорных подшипников шатуна и поршневого пальца);

- на внешние и внутренние загрязнения, царапины, трещины, повреждения, возникшие в процессе эксплуатации или транспортировки.

- при работе электроинструментом с перегрузкой и заклиниванием оснастки, о чем

свидетельствуют задиры, изменение цвета от температуры упорных и прижимных шайб, зажимного патрона, выхода из строя редуктора.

Профилактическое обслуживание электроинструмента (чистка, промывка, смазка, замена пыльников, поршневых и уплотнительных колец) в гарантийный период является платной услугой.

Срок службы изделия составляет 3 года. Срок хранения – 2 года. Не рекомендуется к эксплуатации по истечении 2 лет хранения с даты изготовления, которая указана в серийном номере на этикетке инструмента, без предварительной проверки (определение даты выпуска смотрите ранее в Руководстве пользователя).

О возможных нарушениях, изложенных выше условий гарантийного обслуживания, владельцу сообщается после проведения диагностики в сервисном центре. Владелец инструмента доверяет проведение диагностики в сервисном центре в свое отсутствие.

Запрещается эксплуатация электроинструмента при проявлении признаков повышенного нагрева, искрения, а также шума в редукторной части. Для выяснения причин неисправности покупателю следует обратиться в гарантийную мастерскую.

Неисправности, вызванные несвоевременной заменой угольных щеток двигателя, устраняются за счет покупателя.

5.Гарантия не распространяется на:

- сменные принадлежности (аксессуары и оснастка), например: аккумуляторы, диски, ножи, сверла, буры, патроны, цепи, звездочки, цанговые зажимы, шины, элементы натяжения и крепления, головки триммеров, подошвы шлифовальных и ленточных машин, фильтры, головки шестигранные сменные насадки и т.п.

- быстроизнашивающиеся детали, например: угольные щетки, приводные ремни, сальники, защитные кожухи, направляющие ролики, направляющие, резиновые уплотнения, подшипники, зубчатые ремни и колеса, стволы, ленты тормоза, храповики и тросы стартеров, поршневые кольца и т.п.

Замена их в течение гарантийного срока является платной услугой.

- шнуры питания, в случае повреждения изоляции. В данном случае потребитель должен быть уведомлен и ремонт (услуга платная) должен быть выполнен после

согласия потребителя. Если потребитель не согласен на замену, то в любом ремонте этого инструмента будет отказано. Факт отказа должен быть зафиксирован в гарантийном талоне или квитанции сервисного центра и подписан владельцем.

P.I.T. WARRANTY CERTIFICATE

Product Name _____

Product Serial Number

Charger Serial Number

Sale Date _____

Trade Organization Name _____



Dear customer!

Thank you for purchasing the P.I.T tool, and we hope that you will be satisfied with your choice. In the process of manufacturing the P.I.T tools pass multilevel quality control, if nevertheless your product will need maintenance, please contact the authorized P.I.T service centers.

Attention!

When buying, ask a seller to check the completeness and operability of the tool, to fill out the Warranty Certificate, the Warranty Card (the boxes shall be filled out by a seller) and to affix the seal of the trade organization in the Guarantee Certificate and the Warranty Card.

Warranty

By this Warranty Certificate, P.I.T. company guarantees the absence of defects of the production nature.

In the event any of the above defects are detected during the warranty period, the specialized P.I.T. service centers shall repair the product and replace the defective spare parts free of charge.

The warranty period for P.I.T. electric machines is 12 months from the date of sale.

“The warranty maintenance terms acknowledged and accepted. The operability and completeness of the product are checked in my presence. No claims on quality and appearance.”

Buyer's Signature _____ Surname (legibly) _____

Phone _____

ГАРАНТИЙНОЕ СВИДЕТЕЛЬСТВО НА ИНСТРУМЕНТ P.I.T.

Наименование изделия _____

Серийный номер изделия □□□□□□□□□□

Серийный номер зарядного устройства □□□□□□□□□□

Дата продажи « ____ » _____

Наименование торговой организации _____

Уважаемый покупатель!

М.П.

Благодарим Вас за покупку инструмента P.I.T. и надеемся, что Вы останетесь довольны своим выбором.

При необходимости обслуживания Вашего изделия обращайтесь в авторизованные сервисные центры P.I.T. Все сервисные центры представлены на сайте www.pittools.ru

Внимание!

При покупке требуйте у продавца проверки работоспособности инструмента и его комплектности, а также заполнения гарантийного свидетельства, гарантийного талона (графы «Заполняются продавцом») и простановки печати торговой организации в гарантийном свидетельстве и гарантийных талонах.

Гарантия

На основании данного гарантийного свидетельства компания P.I.T. гарантирует отсутствие дефектов производственного характера.

Если в течение гарантийного срока в Вашем изделии обнаружатся указанные дефекты, то специализированные сервисные центры P.I.T. бесплатно отремонтируют изделие и заменят дефектные запасные части.

Гарантийный срок на электроинструменты P.I.T. составляет 12 месяцев со дня продажи.

«С условиями гарантийного обслуживания ознакомлен(а). Работоспособность и комплектность изделия проверены в моем присутствии. Претензий к качеству и внешнему виду не имею».

Подпись покупателя _____ Фамилия (разборчиво) _____

Телефон _____

P.I.T. WARRANTY CARD

Name _____ Serial Number _____ Sale Date _____ 20__ Date of Receipt from Repair _____ 20__	P.I.T.		№ 1
	Name _____		
	Serial Number _____		
	Sale Date _____ 20__		
	(Filled out by a Seller)		
	WARRANTY REPAIR CARD		
	Date of Acceptance for Repair _____ 20__		
	Application for Repair _____		
	Customer _____		
	Phone (Address) _____		
	Cause of Application _____		
	Date of Receipt from Repair _____ 20__		
The Tool is checked in my presence _____			
(The Order shall be performed in a Service Center) (Signature)			

Place of Seal

Name _____ Serial Number _____ Sale Date _____ 20__ Date of Receipt from Repair _____ 20__	P.I.T.		№ 2
	Name _____		
	Serial Number _____		
	Sale Date _____ 20__		
	(Filled out by a Seller)		
	WARRANTY REPAIR CARD		
	Date of Acceptance for Repair _____ 20__		
	Application for Repair _____		
	Customer _____		
	Phone (Address) _____		
	Cause of Application _____		
	Date of Receipt from Repair _____ 20__		
The Tool is checked in my presence _____			
(The Order shall be performed in a Service Center) (Signature)			

Place of Seal

Name _____ Serial Number _____ Sale Date _____ 20__ Date of Receipt from Repair _____ 20__	P.I.T.		№ 3
	Name _____		
	Serial Number _____		
	Sale Date _____ 20__		
	(Filled out by a Seller)		
	WARRANTY REPAIR CARD		
	Date of Acceptance for Repair _____ 20__		
	Application for Repair _____		
	Customer _____		
	Phone (Address) _____		
	Cause of Application _____		
	Date of Receipt from Repair _____ 20__		
The Tool is checked in my presence _____			
(The Order shall be performed in a Service Center) (Signature)			

Place of Seal

ГАРАНТИЙНЫЙ ТАЛОН P.I.T.

P.I.T.

Талон № 1

Наименование _____

Серийный номер _____

Дата продажи « ____ » ____ 20__

(Заполняется продавцом)

КАРТА ГАРАНТИЙНОГО РЕМОНА

Дата приема ремонт ____ 20__

Заявка на ремонт _____

Заказчик _____

Телефон (адрес) _____

Причина обращения _____

Дата получения от ремонта ____ 20__

Инструмент проверен в моем присутствии _____

(Заказ заполняется в Сервисном Центре) (Подпись)

Место печати
или штампа

Наименование _____
 Серийный номер _____
 Дата продажи ____ 20__
 Дата получения от ремонта ____ 20__

P.I.T.

Талон № 2

Наименование _____

Серийный номер _____

Дата продажи « ____ » ____ 20__

(Заполняется продавцом)

КАРТА ГАРАНТИЙНОГО РЕМОНА

Дата приема ремонт ____ 20__

Заявка на ремонт _____

Заказчик _____

Телефон (адрес) _____

Причина обращения _____

Дата получения от ремонта ____ 20__

Инструмент проверен в моем присутствии _____

(Заказ заполняется в Сервисном Центре) (Подпись)

Место печати
или штампа

Наименование _____
 Серийный номер _____
 Дата продажи ____ 20__
 Дата получения от ремонта ____ 20__

P.I.T.

Талон № 3

Наименование _____

Серийный номер _____

Дата продажи « ____ » ____ 20__

(Заполняется продавцом)

КАРТА ГАРАНТИЙНОГО РЕМОНА

Дата приема ремонт ____ 20__

Заявка на ремонт _____

Заказчик _____

Телефон (адрес) _____

Причина обращения _____

Дата получения от ремонта ____ 20__

Инструмент проверен в моем присутствии _____

(Заказ заполняется в Сервисном Центре) (Подпись)



Место печати
или штампа

Наименование _____
 Серийный номер _____
 Дата продажи ____ 20__
 Дата получения от ремонта ____ 20__



P.I.T.

Media account

 pit_global  PIT Global  **YouTube** PIT Global

 +7 7073005064 +86 15305798923  bod@pit-tools.com  www.pit-tools.com/