



P.I.T.[®]

Progressive Innovative Technology



PRODUCT PASSPORT
USER'S MANUAL



ПАСПОРТ ИЗДЕЛИЯ
ИНСТРУКЦИЯ ПОЛЬЗОВАТЕЛЯ

JIG SAW

ЛОБЗИК ЭЛЕКТРИЧЕСКИЙ



EAC

PST70-C1 PST90-C1

PROGRESSIVE INNOVATIONAL TECHNOLOGY

ПРОГРЕССИВНЫЕ ИННОВАЦИОННЫЕ ТЕХНОЛОГИИ



GENERAL SAFETY PRECAUTIONS

1. Work area safety

- a) Keep the workplace clean and well lit. Disorder in the workplace or darkness can lead to accidents.
- b) Do not use power tools in an explosive environment, such as in the immediate vicinity of flammable liquids, gases or dust. Power tools create sparks which may ignite the dust or fumes.
- c) Do not allow children or strangers to operate the power tool. You can get distracted and lose control.

2. Electrical safety

- a) The power plugs of the power tool must match the socket. In any case, never modify the plug. Do not use adapter with ground for the wiring. Plugs and matching sockets will reduce electric shock risk.
- b) Avoid contact with grounded surfaces such as pipes, radiators, stoves, and refrigerators. There is an increased electric shock risk if your body comes in contact with grounded surfaces.
- c) Do not expose power tools to rain or dampness. Water entering a power tool increases the electric shock risk.
- d) Do not use the cord in the wrong way. Never use the cord to pull the plug out of the socket. Keep the cord away from heat, oil, sharp edges or moving parts. Damaged or entangled cords increase the electric shock risk.
- e) When working outdoors, use an extension cord designed for outdoor use. Using a cord designed for outdoor use reduces the electric shock risk.
- f) If operation of the power tool in a damp location is unavoidable, use a residual current device (RCD) protecting the power supply. The use of RCD reduces the electric shock risk.

3. Personal safety

- a) Be careful, make sure you use common sense when working with power tools. Do not use a power tool if you are tired or under the influence of drugs, alcohol or medication. A second lapse of concentration with a power tool can result in serious injury.
- b) Use personal protective equipment. Always wear safety glasses. Protective equipment such as respirator, non-slip protective shoes, helmet, hearing protection is used for appropriate conditions to reduce the injury risk.
- c) Prevent inadvertent energisation. Put the on/off control in the off position before connecting to the power supply and / or battery, taking the tool in hand or when wearing.
Carrying a power tool with a finger on the on/off control or on the active power supply may result in an accident.
- d) Remove all adjustment keys or nuts before turning on the tool. A nut or wrench screwed to the power tool rotating part from the left side can lead to injury.
- e) Do not overexert. Stand firmly on your feet and keep balance all the time. This allows you to better control the operation of the power tool in unexpected situations.
- f) Dress appropriately. Do not wear loose clothing or apparels. Keep hair, clothing, and gloves away from moving parts. Loose clothing, apparel or long hair can get into moving parts.
- g) If the tool are designed to collect dust, make sure they are connected and used properly. Using dust exhaustion can reduce the risk of hazards associated with dust.

4. Use and care

- a) Do not overload the tool. Use the right tool for the job. A tool with the right power will do the job better and safer at the speed for which it was designed.
- b) A power tool that cannot be operated by the on/off control is dangerous and must be repaired.
- c) Disconnect the plug from the power supply and / or the battery pack from the power tool before setting up, replacing accessories or packing it. Such preventive safety measures reduce the risk of inadvertent energisation of the tool.
- d) Keep unused power tools out of the reach of children and do not allow persons unfamiliar with the power tool or these manuals to operate the power tool. Power tools are dangerous in the hands of inexperienced users.
- e) Requires proper care. Check the perfection of the moving parts, the absence of damage to parts and any other conditions that may adversely affect the tool operation. If damage is found, hand the tool in for repair before use. Many accidents are caused by improper care of the power tool.
- f) The cutting parts of the tool must be sharp and clean. With proper care of cutting parts tool with sharp edges, it is more convenient to cut and easier to control.
- g) Use the power tool, accessories, parts, etc. in accordance with these manuals, all working conditions and the work to be performed. Use of the power tool for other purposes may result in a hazardous situation.

EXPLANATION OF P.I.T. TRADEMARK

P.I.T. Progressive Innovational Technology

Currently, 10 kinds of mechanical and electrical equipment are produced under the P.I.T. trademark. In terms of sales, jig saws occupy one of the leading positions.

Each letter and number in the designation of the P.I.T. model has the meaning.

For example, **PST70-C1**:

PST – electric jig saw

70 – cutting depth in the wood

C1 – modification series

INTENDED USE

The jigsaw is a hand-held power tool with class II insulation. The jig saw is equipped with a single-phase collector electromotor. Using a variety of saw blades with a jig saw can make straight and curved cuts, as well as cut holes in wood, plastic and metals. The area of application for the tool – construction and repair work, as well as all hand work performed by craftsmen.

DECRYPTING THE DATE OF PRODUCTION OF THE PRODUCT

Date of manufacture of the product is encrypted in the serial number printed on the tool body. The first 2 digits indicate the year of manufacture, the next 2 digits - month and the following two digits – day.

No.

17	07	30	0395
----	----	----	------

Year month day

PRODUCT SPECIFICATIONS

	PST70-C1	PST90-C1
Rated voltage	220 V	220 V
Rated output capacity	700W	900W
Stroke speed	0-3000 strokes per minute	0-3000 strokes per minute
Maximum cutting depth for wood	70 mm	90 mm
Maximum cutting depth for metal	7 mm	10 mm
Weight	2.4 kg	2.7 kg

Note:

As the products are constantly being improved, P.I.T reserves the right to make changes to the specifications listed here without prior notice.

STANDARD SET

- | | |
|--|--|
| <ul style="list-style-type: none"> - Electric jig saw - Saw blade on wood - Parallel limit stop | <ul style="list-style-type: none"> - Hex wrench - Tube for dust bleeding - Operation manual |
|--|--|

FEATURES

- Speed adjustment
- Pendulum stroke
- Double insulation

ELECTRIC JIG SAW PHYSICAL FORM



- | | |
|---------------------|--|
| 1. Speed controller | 6. Saw holder |
| 2. Self-block key | 7. Pendulum mode switch |
| 3. On/off control | 8. Airflow switch |
| 4. Tube | 9. Parallel limit stop mounting screws |
| 5. Base flange | |

RULES OF OPERATION

Mounting of the saw blade

1. Switch the pendulum stroke controller (8) to position “III”.
2. Move the lever of saw holder (7) and hold in this position (for model PST90-C). Unscrew the 2 screws from saw holder by the hex wrench (for the model PST70-C).
3. Insert the saw blade into the saw holder (7) – make sure that the blade teeth are facing forward.
4. Return the lever to its original position after installing the saw blade (for model PST90-C). Tighten the 2 screws of the saw holder after installing the saw blade (for model PST70-C).

Dust removal

For more efficient dust removal from the working area, the PST90-C jig saw is equipped with a dust blowing system that cleans the sawn surface. In addition, with the help of adapters jig saws can connect the dust exhaust system.

1. Insert the adapter into the tube (4) for dust exhaust and turn left.
2. Connect the dust exhaust hose to the adapter.

The connection must be leakproof.

Installation of parallel limit stop

Parallel limit stop can be fixed on the right or left side of the jig saw.

1. Loosen the fastening screws of the parallel limit stop (10).
2. Insert the parallel limit stop guide into the hole in the base flange, use the scale to set the required distance and tighten the parallel limit stop mounting screws.

Power on/off

Power on:

1. Press the on/off control (3) and hold.
2. Press the self-block key (2).
3. Release the on/off control (3):

Power off:

1. Press and release the on/off control (3).

Adjusting the stroke frequency of the jigsaw

The speed of the jig saw electromotor is controlled by the stroke frequency controller (1). Frequency adjustment range 1-6. The higher the number in front of which the stroke frequency controller (1) is installed, the higher the stroke frequency of the jig saw.

Adjusting the pendulum motion of the saw blade

In addition to adjusting the reciprocating motion of the saw blade is also available to adjust the pendulum motion, which makes it possible to choose the power tool parameters, depending on the processed material properties. The pendulum motion is controlled by the pendulum motion controller (8) in the range “O” – “III”. The most effective selection of the pendulum motion step depending on the processed material is presented in the table below.

Metal sheet:	0	Steel sheet:	0-I
Aluminium sheet:	I-II	Plastics:	I-II
Plywood:	0-I	Wood:	I-III

Base flange adjustment for cutting at an angle

Adjustable jig saw base flange allows you to perform the cutting at an angle in the range 0-45° (in both directions).

1. Loosen the mounting screws of the base flange with the hex wrench
2. Move the base flange (5) back and tilt left or right (up to 45°).
3. Install the base flange (5) at the desired angle, move forward and tighten the mounting screws. The angle of the base flange is indicated on its scale. When the adjustment is complete, insert the hex wrench into the hole for storing it.

Cutting

1. Place the front of the base flange (5) on the material to be cut.
2. Turn on the jig saw and wait until it reaches the maximum frequency.
3. Slowly move the jig saw along the pre-planned line.

When performing curved cuts, it follows that readily to move a jig saw.

Cutting perform evenly, do not overload the tool. Excessive pressure on the saw blade will delay the pendulum movement, which will adversely affect the performance. When cutting in an arc, it is recommended to reduce or completely turn off the pendulum motion. When working with materials that can be scratched by a metal base flange during cutting, a protective cover (6) is provided.

Metal cutting/types of saw blades

For metal cutting use special blades with a large number of teeth.

For metal cutting use a special lubricant (oil for cutting metal). Metal cutting without lubrication causes rapid wear of the saw blade. The most effective selection of the saw blade is presented in the table below:

Quantity	Length	Application
24	65 mm	Mild steel, non-ferrous metals
14		Non-ferrous metals, plastic
9		Wood, plywood

MAINTENANCE

Replacing carbon brushes

Worn engine carbon brushes (less than 5 mm long), brushes with a burnt surface, or scratches should be replaced immediately. Replace both brushes at the same time.

Only a qualified specialist can replace the carbon brushes. It is recommended to use original spare parts.

TERMS OF WARRANTY SERVICE

1. This Warranty Certificate is the only document that confirms your right to free warranty service. Without presenting this certificate, no claims are accepted. In case of loss or damage, the warranty certificate is not restored.

2. The warranty period for the electric machine is 12 months from the date of sale, during the warranty period the service department eliminates manufacturing defects and replaces parts that have failed due to the fault of the manufacturer free of charge. In the warranty repair, an equivalent operable product is not provided. Replaceable parts become property of service providers.

P.I.T is not liable for any damage that may be caused by operation of the electric machine.

3. Only clean tool accompanied with the following duly executed documents: this Warranty Certificate, Warranty Card, with all fields filled out, bearing the stamp of the trade organization and the signature of the buyer, shall be accepted for warranty repair.

4. Warranty repair is not performed in the following cases:

- in the absence of a Warranty Certificate and a Warranty Card or their incorrect execution;
- with failure of both a rotor and a stator of the electric engine, charring or melting of primary winding of the welding machine transformer, charging or starting-charging device, with internal parts melting, burn down of electronic circuit boards;
- if a Warranty Certificate or a Warranty Card does not correspond to this electric machine or to the form established by the supplier;
- upon expiration of the warranty period;
- at attempts of opening or repair of the electric machine outside the warranty workshop; making constructive changes and lubrication of the tool during the warranty period, as evidenced, for example, by the creases on the spline parts of the fasteners of non-rotational parts.
- when using electric tools for production or other purposes connected with making a profit, as well as in case of malfunctions related to instability of the power network parameters exceeding the norms established by GOST;
- in the events of improper operation (use the electric machine for other than intended purposes, attachments to the electric machine of attachments, accessories, etc. not provided by the manufacturer);
- with mechanical damage to the case, power cord and in case of damages caused by aggressive agents and high and low temperatures, ingress of foreign objects in the ventilation grids of the electric machine, as well as in case of damage resulting from improper storage (corrosion of metal parts);
- natural wear and tear on the parts of the electric machine, as a result of long-term operation (determined on the basis of the signs of full or partial depletion of the specified mean life, great contamination, presence of rust outside and inside the electric machine, waste lubricant in the gearbox);
- use of the tool the purposes for other than specified in the operating instructions.
- mechanical damages to the tool;
- in the event of damages due to non-observance of the operating conditions specified in the instruction (see chapter "Safety Precautions" of the Manual).
- damage to the product due to non-observance of the rules of storage and transportation.

Preventive maintenance of electric machines (cleaning, washing, lubrication, replacement of anthers, piston and sealing rings) during the warranty period is a paid service.

The service life of the product is determined by the manufacturer and is 2 years from the date of manufacture.

The owner is notified of any possible violations of the above terms of warranty service upon completion of diagnostics in the service center.

The owner of the tool entrusts the diagnostic procedure to be conducted in the service center in his absence.

Do not operate the electric machine when there are signs of excessive heat, sparking, or noise in the gearbox. To determine the cause of the malfunction, the buyer should contact the warranty service center.

Malfunctions caused by late replacement of carbon brushes of the engine are eliminated at the expense of the buyer.

5. The warranty does not cover:

- replacement accessories (accessories and components), for example: batteries, discs, blades, drill bits, borers, chucks, chains, sprockets, collet clamps, guide rails, tension and fastening elements, trimming device heads, base of grinding and belt sander machines, filters, etc.,
- fast wearing parts, for example: carbon brushes, drive belts, seals, protective covers, guiding rollers, guides, rubber seals, bearings, toothed belts and wheels, shanks, brake belts, starter ratchets and ropes, piston rings, etc. Their replacement during the warranty period is a paid service;
- power cords, in case of damage to the insulation, power cords are subject to mandatory replacement without the consent of the owner (paid service);
- tool case;
- saw blades;
- damage caused by non-compliance of the mains parameters with the rated voltage specified in the users manual;
- self-repair or attempt to make unauthorized changes to the tool design;
- strong mechanical, electrical, chemical effects;
- ingress of corrosive and conductive liquids inside the tool, the presence inside the tool metal dust / shavings
- strong internal contamination, resulting in malfunction.

P.I.T. WARRANTY CERTIFICATE

Product Name _____

Product Number

Place of Seal

Serial Number

Sale Date _____

Trade Organization Name _____

Dear customer!

Thank you for purchasing the P.I.T tool, and we hope that you will be satisfied with your choice. In the process of manufacturing the P.I.T tools pass multilevel quality control, if nevertheless your product will need maintenance, please contact the authorized P.I.T service centers.

Attention!

When buying, ask a seller to check the completeness and operability of the tool, to fill out the Warranty Certificate, the Warranty Card (the boxes shall be filled out by a seller) and to affix the seal of the trade organization in the Guarantee Certificate and the Warranty Card.

Warranty

By this Warranty Certificate, P.I.T. company guarantees the absence of defects of the production nature.

In the event any of the above defects are detected during the warranty period, the specialized P.I.T. service centers shall repair the product and replace the defective spare parts free of charge.

The warranty period for P.I.T. electric machines is 12 months from the date of sale.

“The warranty maintenance terms acknowledged and accepted. The operability and completeness of the product are checked in my presence. No claims on quality and appearance.”

Buyer’s Signature _____ Surname (legibly) _____

Phone _____



РАСШИФРОВКА ТОРГОВОЙ МАРКИ P.I.T.

P.I.T.[®] Progressive Innovative Technology

(Прогрессивные Инновационные Технологии)

В настоящее время под маркой P.I.T. выпускается механическое и электрическое оборудование 10 видов.

По объему продаж лобзики занимают одно из лидирующих мест.

Каждая буква и цифра в обозначении модели P.I.T. имеет значение.

Например, **PST70-C1**

PST – лобзик электрический

70 – глубина пропила в древесине

C1 – серия модификации

НАЗНАЧЕНИЕ

Лобзик – это ручной электроинструмент с изоляцией II класса. Лобзик оборудован однофазным коллекторным электрическим двигателем. Используя различные пильные полотна при помощи лобзика можно делать прямолинейные и криволинейные разрезы, а также вырезать отверстия в древесине, пластмассе и металлах. Сфера применения инструмента – строительные – ремонтные работы, а также все ручные работы выполняемые мастерами – любителями.

РАСШИФРОВКА ДАТЫ ИЗГОТОВЛЕНИЯ ИЗДЕЛИЯ

Дата изготовления изделия зашифрована в серийном номере, напечатанном на корпусе инструмента. Первые 2 цифры обозначают год выпуска, следующие 2 цифры – месяц и следующие 2 цифры – день

№.

1	7	0	7	3	0	0	3	9	5
---	---	---	---	---	---	---	---	---	---

год
месяц
день

ТЕХНИЧЕСКИЕ ХАРАКТЕРИСТИКИ

	PST70-C1	PST90-C1
Номинальное напряжение	220 В	220В
Номинальная выходная мощность	700Вт	900 Вт
Скорость хода	0-3000 об / мин	0-3000 об / мин
Максимальная глубина пропила по дереву	70 мм	90 мм
Максимальная глубина пропила по металлу	7мм	10 мм
Вес	2,4 кг	2,7 кг

Примечание:

Так как изделия постоянно совершенствуются, P.I.T. оставляет за собой право на внесение изменений в указанные здесь технические характеристики без предварительного уведомления.

КОМПЛЕКТ ПОСТАВКИ

- Лобзик электрический
- Шестигранный ключ
- Пильное полотно по дереву
- Патрубок для отвода пыли
- Параллельный упор
- Руководство по эксплуатации

ОСОБЕННОСТИ

- регулировка скорости
- маятниковый ход
- двойная изоляция

ВНЕШНИЙ ВИД ЛОБЗИКА ЭЛЕКТРИЧЕСКОГО



1. Регулятор оборотов
2. Клавиша самоблокировки
3. Выключатель
4. Патрубок
5. Подошва

6. Пластиковая защитная накладка
7. Пилкодержатель
8. Переключатель маятникового режима
9. Переключатель обдува
10. Винты крепления параллельного упора

ПРАВИЛА ЭКСПЛУАТАЦИИ

Крепление пильного полотна

1. Переключите регулятор маятникового движения (8) в положение «III»
2. Сдвиньте рычаг пилкодержателя (7) и удерживайте в этой позиции (для модели PST90–С)
Выкрутите 2 винта из пилкодержателя шестигранным ключом (для модели PST70–С)
3. Вставьте пильное полотно в пилкодержатель (7) – убедитесь, что зубья полотна направлены вперед
4. Верните рычаг в первоначальное положение после установки пильного полотна (для модели PST90–С)
Затяните 2 винта пилкодержателя после установки пильного полотна (для модели PST70–С)

Удаление пыли

Для более эффективного удаления пыли из рабочей зоны, лобзик PST90–С оборудован системой обдува пыли, которая очищает распиливаемую поверхность. Кроме того, с помощью переходника к лобзикам можно подключить систему вытяжки пыли.

1. Вставьте переходник в патрубок (4) для отвода пыли и поворачивайте влево
 2. Подключите шланг для вытяжки пыли к переходнику.
- Соединение должно быть герметичным

Монтаж параллельного упора

Параллельный упор можно закреплять с правой или левой стороны лобзика

1. Ослабьте крепежные винты параллельного упора (10)
2. Вставьте направляющую параллельного упора в отверстие в подошве, с помощью шкалы установите требуемое расстояние и затяните крепежные винты параллельного упора (10).

Включение/выключение

Включение:

1. Нажмите кнопку включения (3) и придержите
2. Нажмите кнопку фиксатора (2)
3. Отпустите кнопку включения (3)

Выключение:

1. Нажмите и отпустите кнопку включения (3)

Регулировка частоты хода лобзика

Частота вращения двигателя лобзика регулируется с помощью регулятора частоты хода (1). Диапазон регулировки частот 1–6. Чем выше число, напротив которого установлен регулятор частоты хода (1), тем выше частота хода лобзика.

Регулировка маятникового движения пильного полотна

Кроме регулировки возвратно–поступательного движения полотна доступна также регулировка маятникового движения, что дает возможность подобрать параметры работы электроинструмента в зависимости от свойств обрабатываемого материала. Маятниковое движение регулируется с помощью регулятора маятникового движения (8) в диапазоне «0» – «III». Самый эффективный подбор шага маятникового движения в зависимости от обрабатываемого материала представлен в таблице ниже.

Листовой металл:	0	Листовая сталь:	0–I
Листовой алюминий:	I–II	Пластмасса:	I–II
Клееная фанера:	0–I	Дерево:	I–III

Регулировка подошвы для распила под углом

Регулируемая подошва лобзика позволяет выполнять распиловку под углом в диапазоне 0–45° (в обе стороны).

1. Ослабьте крепежные винты подошвы с помощью шестигранного ключа
2. Переместите подошву (5) назад и наклоните влево или вправо (в диапазоне до 45°).
3. Установите подошву (5) под необходимым углом, переместите вперед и затяните крепежные винты.

Угол наклона подошвы указан на ее шкале. После завершения регулировки вставьте шестигранный ключ в отверстие, предназначенное для его хранения.

Распиловка

1. Поставьте переднюю часть подошвы (5) на материал, предназначенный для распила.

2. Включите лобзик и подождите, пока он не наберет максимальную частоту.

3. Медленно перемещайте лобзик по заранее намеченной линии.

При выполнении криволинейных резов, следует очень легко вести лобзик.

Распиловку выполняйте равномерно, не перегружайте инструмент. Чрезмерный нажим на пильное полотно будет задерживать маятниковое движение, что неблагоприятно повлияет на производительность работы. При распиле по дуге рекомендуется уменьшить или полностью выключить маятниковое движение. При работе с материалами, которые при распиловке могут быть поцарапаны металлической подошвой, предусмотрена защитная накладка(6).

Распиловка металла/типы полотен

Для распиловки металла используйте специальные полотна с большим количеством зубьев.

При распиловке металла используйте специальную смазку (масло для резки металла). Распиловка металла без смазки вызывает быстрый износ пильного полотна. Самый эффективный подбор полотна представлен в таблице ниже:

Количество	Длина	Применение
24	65 мм	Мягкая сталь, цветные металлы
14		Цветные металлы, пластмасса
9		Дерево, клееная фанера

ТЕХНИЧЕСКОЕ ОБСЛУЖИВАНИЕ

Замена угольных щеток

Изношенные угольные щетки двигателя (длиной менее 5 мм), щетки с обгоревшей поверхностью, или царапинами следует немедленно заменить. Заменить следует обе щетки одновременно.

Замену угольных щеток может производить только квалифицированный специалист. Рекомендуется использовать оригинальные запасные части.

УСЛОВИЯ ГАРАНТИЙНОГО ОБСЛУЖИВАНИЯ

1. Настоящее гарантийное свидетельство является единственным документом, подтверждающим Ваше право на бесплатное гарантийное обслуживание. Без предъявления данного свидетельства претензии не принимаются. В случае утери или порчи гарантийное свидетельство не восстанавливается.
 2. Гарантийный срок на электроинструмент составляет 12 месяцев со дня продажи, в течение гарантийного срока сервисная служба бесплатно устраняет производственные дефекты и производит замену деталей, вышедших из строя по вине изготовителя. На период гарантийного ремонта эквивалентный исправный инструмент не предоставляется. Заменяемые детали переходят в собственность служб сервиса. Компания P.I.T. не несет ответственности за вред, который может быть причинен при работе с электроинструментом.
 3. В гарантийный ремонт инструмент принимается в чистом виде, при обязательном наличии надлежащим образом оформленных документов: настоящего гарантийного свидетельства, гарантийного талона, с полностью заполненными полями, штампом торговой организации и подписью покупателя.
 4. Гарантийный ремонт не производится в следующих случаях:
 - при отсутствии гарантийного свидетельства и гарантийного талона или неправильном их оформлении;
 - при совместном выходе из строя якоря и статора электродвигателя, при обугливании или оплавлении первичной обмотки трансформатора сварочного аппарата, зарядного или пуско-зарядного устройства, при оплавлении внутренних деталей, прожоге электронных плат;
 - если гарантийное свидетельство или талон не принадлежит данному электроинструменту или не соответствует установленному поставщиком образцу;
 - по истечении срока гарантии;
 - при попытках самостоятельного вскрытия или ремонта электроинструмента вне гарантийной мастерской; внесения конструктивных изменений и смазки инструмента в гарантийный период, о чем свидетельствуют, например, заломы на шлицевых частях крепежа корпусных деталей.
 - при использовании электроинструмента в производственных или иных целях, связанных с получением прибыли, а также – при возникновении неисправностей связанных с нестабильностью параметров электросети, превышающих нормы, установленные ГОСТ;
 - при неправильной эксплуатации (использование электроинструмента не по назначению, установки на электроинструмент не предназначенных заводом-изготовителем насадок, дополнительных приспособлений и т.п.;
 - при механических повреждениях корпуса, сетевого шнура и при повреждениях, вызванных воздействиями агрессивных средств и высоких и низких температур, попадании инородных предметов в вентиляционные решетки электроинструмента, а также при повреждениях, наступивших в результате неправильного хранения(коррозия металлических частей);
 - при естественном износе деталей электроинструмента, в результате длительной эксплуатации(определяется по признакам полной или частичной выработки ресурса, сильного загрязнения, ржавчины снаружи и внутри электроинструмента, отработанной смазки в редукторе);
 - использование инструмента не по назначению, указанному в инструкции по эксплуатации.
 - при механических повреждениях инструмента;
 - при возникновении повреждений в связи с несоблюдением предусмотренных инструкцией условий эксплуатации(см. главу Указание по технике безопасности в инструкции).
 - повреждение изделия вследствие несоблюдения правил хранения и транспортировки.
- Профилактическое обслуживание электроинструмента (чистка, промывка, смазка, замена пыльников, поршневых и уплотнительных колец) в гарантийный период является платной услугой.
- Срок службы изделия установлен производителем и составляет 2 года со дня изготовления.
- О возможных нарушениях, изложенных выше условий гарантийного обслуживания, владельцу сообщается после проведения диагностики в сервисном центре.
- Владелец инструмента доверяет проведение диагностики в сервисном центре в свое отсутствие.
- Запрещается эксплуатация электроинструмента при проявлении признаков повышенного нагрева, искрения, а также шума в редукторной части. Для выяснения причин неисправности покупателю следует обратиться в гарантийную мастерскую.
- Неисправности, вызванные несвоевременной заменой угольных щеток двигателя, устраняются за счет покупателя.
5. Гарантия не распространяется на:
 - сменные принадлежности (аксессуары и оснастка), например: аккумуляторы, диски, ножи, сверла, буры, патроны, цепи, звездочки, цанговые зажимы, шины, элементы натяжения и крепления, головки триммеров, подошвы шлифовальных и ленточных машин, фильтры и т.п., быстрознашаивающиеся детали, например: угольные щетки, приводные ремни, сальники, защитные кожухи, направляющие ролики, направляющие, резиновые уплотнения, подшипники, зубчатые ремни и колеса, стволы, ленты тормоза, храповики и тросы стартеров, поршневые кольца и т.п. Замена их в течении гарантийного срока является платной услугой;
 - шнуры питания, в случае повреждения изоляции, шнуры питания подлежат обязательной замене без согласия владельца (услуга платная);
 - корпуса инструмента;
 - пыльные полотна;
 - сменные принадлежности, которые вызваны несоответствием параметров сети номинальному напряжению, указанному в инструкции по применению;
 - самостоятельного ремонта или попыток самовольного внесения изменений в конструкцию аппарата;
 - силового механического, электротехнического, химического воздействия;
 - попадания внутрь аппарата агрессивных и токопроводящих жидкостей, наличие внутри аппарата металлической пыли / стружки
 - сильное внутреннее загрязнение, повлекшее за собой неисправность.

ГАРАНТИЙНОЕ СВИДЕТЕЛЬСТВО НА ИНСТРУМЕНТ P.I.T.

Наименование изделия _____

Артикул изделия Серийный номер

Дата продажи «__» _____

Наименование торговой организации _____

М.П.

Уважаемый покупатель!

Благодарим Вас за покупку инструмента P.I.T. и надеемся, что Вы останетесь довольны своим выбором. В процессе производства инструменты P.I.T. проходят многоуровневый контроль качества, если тем не менее Ваше изделие будет нуждаться в обслуживании, просим Вас обращаться в авторизированные сервисные центры P.I.T.

Внимание!

При покупке требуйте у продавца проверки комплектности и работоспособности инструмента, заполнение гарантийного свидетельства, гарантийного талона(графы заполняются продавцом) и простановки печати торговой организации в гарантийном свидетельстве и гарантийном талоне.

Гарантия

На основании данного гарантийного свидетельства компания P.I.T. гарантирует отсутствие дефектов производственного характера.

Если в течении гарантийного срока в Вашем изделии тем не менее обнаружатся указанные дефекты, специализированные сервисные центры P.I.T. бесплатно отремонтируют изделие и заменят дефектные запасные части.

Гарантийный срок на электроинструменты P.I.T. составляет 12 месяцев со дня продажи.

«С условиями гарантийного обслуживания ознакомлен(а). Работоспособность и комплектность изделия проверены в моем присутствии. Претензий к качеству и внешнему виду не имею».

Подпись покупателя _____ Фамилия(разборчиво) _____

Телефон _____

P. I. T. WARRANTY CARD

Name _____
Serial number _____
The date of sale 20____
The date of receipt of the repair 20____



Name _____
Serial number _____
Date of sale "" _____
(Filled by seller)

Seal is here

WARRANTY REPAIR CARD
date of acceptance for repair ____20_____
Application for repair _____
Customer _____
Telephone (address) _____
The reason for petition _____
Tool checked in my presence _____
(The order is filled in the service center) (signature)

Seal is here

Name _____
Serial number _____
The date of sale 20____
The date of receipt of the repair 20____



Name _____
Serial number _____
Date of sale "" _____
(Filled by seller)

Seal is here

WARRANTY REPAIR CARD
date of acceptance for repair ____20_____
Application for repair _____
Customer _____
Telephone (address) _____
The reason for petition _____
Tool checked in my presence _____
(The order is filled in the service center) (signature)

Seal is here

Name _____
Serial number _____
The date of sale 20____
The date of receipt of the repair 20____



Name _____
Serial number _____
Date of sale "" _____
(Filled by seller)

Seal is here

WARRANTY REPAIR CARD
date of acceptance for repair ____20_____
Application for repair _____
Customer _____
Telephone (address) _____
The reason for petition _____
Tool checked in my presence _____
(The order is filled in the service center) (signature)

Seal is here

ГАРАНТИЙНЫЙ ТАЛОН P.I.T.

Наименование _____
Серийный номер _____
Дата продажи «__» _____ 20 __г.
(Заполняется продавцом)

М.П.

КАРТА ГАРАНТИЙНОГО РЕМОНТА __
Дата приема в ремонт __ _____ 20 __г.
Заявка на ремонт _____
Заказчик _____
Телефон(адрес) _____
Причина обращения _____
Дата получения из ремонта __ _____ 20 __г.
Инструмент проверен в моем присутствии _____
(Заказ заполняется в сервисном центре) (подпись)

М.П.

Наименование _____
Серийный номер _____
Дата продажи «__» _____ 20 __г.
Дата получения из ремонта «__» _____ 20 __г.



Наименование _____
Серийный номер _____
Дата продажи «__» _____ 20 __г.
(Заполняется продавцом)

М.П.

КАРТА ГАРАНТИЙНОГО РЕМОНТА __
Дата приема в ремонт __ _____ 20 __г.
Заявка на ремонт _____
Заказчик _____
Телефон(адрес) _____
Причина обращения _____
Дата получения из ремонта __ _____ 20 __г.
Инструмент проверен в моем присутствии _____
(Заказ заполняется в сервисном центре) (подпись)

М.П.

Наименование _____
Серийный номер _____
Дата продажи «__» _____ 20 __г.
Дата получения из ремонта «__» _____ 20 __г.



Наименование _____
Серийный номер _____
Дата продажи «__» _____ 20 __г.
(Заполняется продавцом)

М.П.

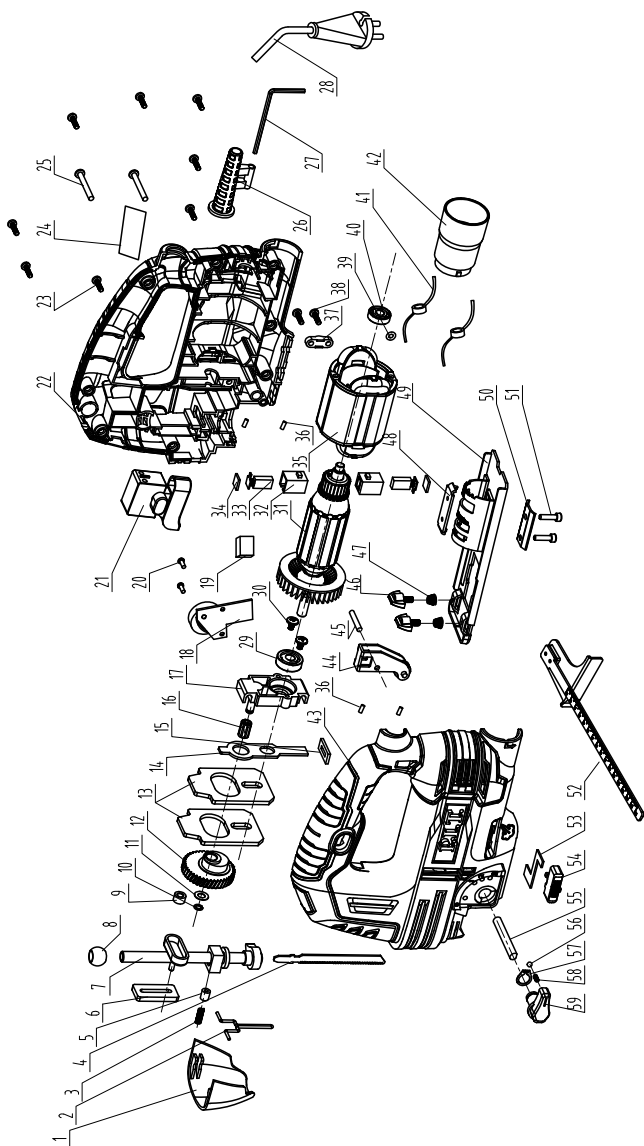
КАРТА ГАРАНТИЙНОГО РЕМОНТА __
Дата приема в ремонт __ _____ 20 __г.
Заявка на ремонт _____
Заказчик _____
Телефон(адрес) _____
Причина обращения _____
Дата получения из ремонта __ _____ 20 __г.
Инструмент проверен в моем присутствии _____
(Заказ заполняется в сервисном центре) (подпись)

М.П.

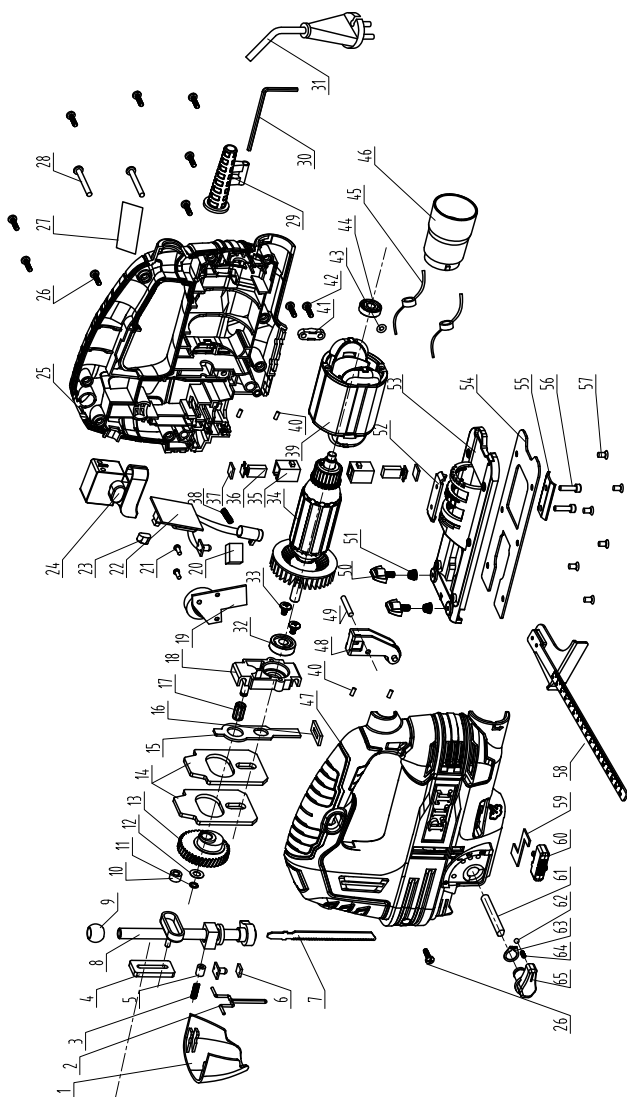
Наименование _____
Серийный номер _____
Дата продажи «__» _____ 20 __г.
Дата получения из ремонта «__» _____ 20 __г.

P.I.T. WARRANTY SHEET / ГАРАНТИЙНЫЙ ТАЛОН P.I.T.

PST70-C1



PST90-C1





Поставщик / производитель: Xinjiang Longbo Industrial Co., Ltd./Синзянь Лонгбо Индастриал Ко., Лтд.
Адрес производства: Rm. 602, 6th Floor, No. 531, Weixing Road, Economic And Technological Development Zone, Urumqi, Xinjiang, China / Оф.602, 6 этаж, №531, Вейсинг Родд, Экономик Энд Технологджикал Девелопмент Зон, Урумчи, Синзянь, Китай
Импортер/ организация, уполномоченная принимать претензии: ООО «Турбо-Тулс»
Юридический адрес: 614058, Пермский край, г. Пермь, ул. Фоминская, 36
info@pittools.ru
Сделано в КНР / Made in China

