



P.I.T.[®]

Progressive Innovational Technology



PRODUCT PASSPORT
USER'S MANUAL



ПАСПОРТ ИЗДЕЛИЯ
ИНСТРУКЦИЯ ПОЛЬЗОВАТЕЛЯ

BELT SANDER

ЛЕНТОЧНАЯ ШЛИФОВАЛЬНАЯ МАШИНА



EAC

PBS75-C1

PROGRESSIVE INNOVATIONAL TECHNOLOGY

ПРОГРЕССИВНЫЕ ИННОВАЦИОННЫЕ ТЕХНОЛОГИИ



GENERAL SAFETY PRECAUTIONS

Before turning on, check that the voltage of your power tool matches the mains voltage; check the serviceability of the cable, plugs and sockets, in case of failure of these parts, further operation is prohibited.

Power tools with double insulations do not need to be connected via a socket with grounded third wire. For power tools without double insulation, the connection through a socket with a grounded wire is mandatory.

Avoid body contact with grounded surfaces such as pipes, radiators, headings and refrigerators. The electric shock risk sharply increases if your body comes into contact with a grounded object. If the use of power tools in damp places is unavoidable, the current feed to the power tool must be through a special interrupter device with a disconnecting power tool in case of leakage. Rubber electrician gloves and special shoes will increase your personal safety.

Do not expose power tools to rain or wet conditions. Water entering a power tool significantly increases the electric shock risk.

Handle the cable carefully. Never use the cable to carry power tools or pull the plug from the socket. Keep cord away from heat, oil, sharp edges or moving parts. Replace damaged cables immediately. Damaged cables increase the electric shock risk.

When the power tool is used outdoors, use power extenders specifically designed for outdoor use.

Be careful, keep an eye on what you are doing, and use common sense when working with power tools. Do not use the power tool while you are tired or under the influence of drugs or deterrents, as well as alcohol or drugs. This can lead to serious injury.

Wear appropriate clothing. Too loose clothing, apparels or long loose hair can get into moving parts of a working electric tool. Keep your hair, clothing, and gloves away from moving parts. Hands should be dry, clean and free of traces of oily substances.

Avoid accidental activation. Make sure that the on/off control is in the "OFF" position before turning on the power tool. Do not carry power tools when your finger is placed on the on/off control.

Remove the adjusting and / or setting wrenches before turning on the power tool. The abandoned wrench get caught up in the moving parts of the power tool may result a power tool damage or serious injury.

Keep your balance. Use a good support and always keep the balance of the body securely. Proper support and balance allows you to control the power tool in unexpected situations.

Use protective equipment to ensure your safety. Always wear safety glasses. A respirator, non-skid safety shoes, a helmet, and / or headphones should be used for the appropriate conditions.

INTENDED USE

Belt sander is designed for various types of finishing (coarse, rough, grind) of surfaces from various materials, as well as for cleaning surfaces from paint, varnish, corrosion and such things.

EXPLANATION OF P.I.T. TRADEMARK

P.I.T. Progressive Innovative Technology

Currently, 10 kinds of mechanical and electrical equipment are produced under the P.I.T. trademark. In terms of sales, belt sanders occupy one of the leading positions.

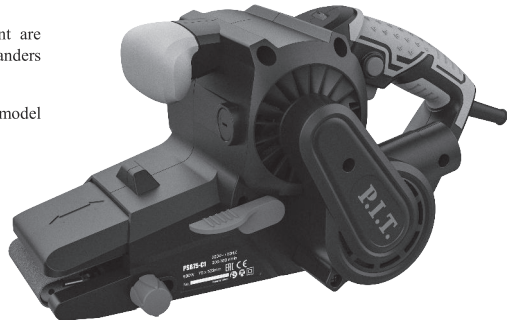
Each letter and number in the designation of the belt sander model of P.I.T has the meaning.

For example, **PBS75-C1**

PBS – belt sander

75 – width of sand belt

C1 – modification series



MODEL PBS75-C1

PRINCIPLE OF OPERATION

The principle of the belt sander is simple. Its working body is an abrasive paper on the infinite ring, rotating on two end rollers. Linear belt speed usually ranges from 150-400 m/min (9-24 km/h), which ensures efficient material removal while simultaneously removing grinding dust.

DECRYPTING THE DATE OF PRODUCTION OF THE PRODUCT

Date of manufacture of the product is encrypted in the serial number printed on the tool body. The first 2 digits indicate the year of manufacture, the next 2 digits - month and the following two digits – day.

No.

17	07	30	0395
----	----	----	------

Year month day

PRODUCT SPECIFICATIONS

	PBS75-C1
Rated voltage	220 V
Rated frequency	50 Hz
Rated power output	900 W
Rotational speed	200 -380 r/min
Belt size (L x W)	533 x 76 mm
Weight	3.5 kg

FUNCTIONAL CAPABILITIES AND FEATURES OF THE BELT SANDER

Functional Capabilities:

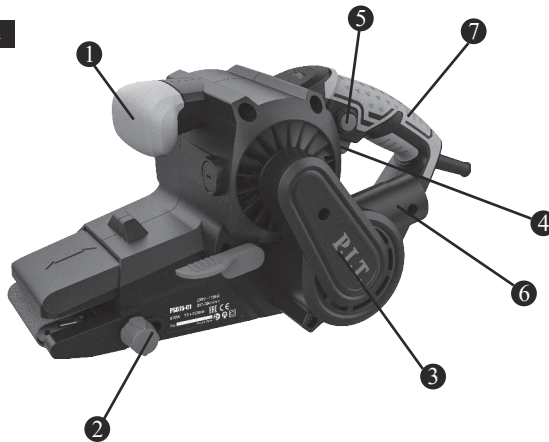
The belt sander to cope with cleaning of the surface after treatment with a jack plane, it is possible to finish the butt pieces of the blank parts and their butt ends. The belt sander can expand the door-frames, unaffrighted to accidentally cut more than necessary, they are great to cope with cutting grooves, etc.

Note: ■ – available □ – not available

MODEL	DOUBLE INSULATION	SPARE CARBON BRUSHES	ON/OFF CONTROL WITH SELF-BLOCK	ADDITIONAL HANDLE	DUST COLLECTOR
PBS75-C1	■	□	■	■	■

BELT SANDER PHYSICAL FORM

MODEL PBS75-C1

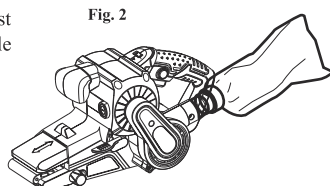


- 1. Front handle
- 2. The centering control of the sanding belt
- 3. Belt-drive cover
- 4. On/off control
- 5. Lock-on button for the on/off control
- 6. The dust collector tube
- 7. Rear handle

DUST COLLECTOR INSTALLATION

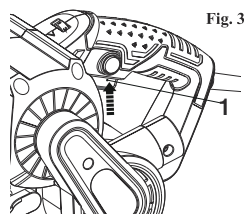
This tool is equipped with an outlet for dust removal and a dust collector. We recommend that you always use this tool and a suitable protective mask.

Install the dust collector to outlet (1) for dust removal (Fig. 2)

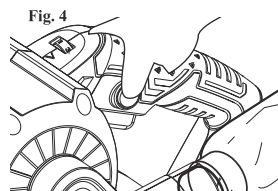


Plug in the plug into a power line socket. To start the tool, press the on/off control(1); to stop the tool, release the on/off control (Fig. 3).

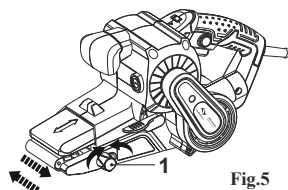
ATTENTION! The belt sander is only for dry grinding. In no circumstances should it be used for wet grinding.



This tool is equipped with a lock-on key (1). When the key is pressed, press the lock-on key to turn on the continuous operation function without pressing out the on/off control (Fig. 4)



Before use, check that the sanding belt is centered. Centering of the sanding belt is necessary to ensure that it does not fly off the rollers. Turn the tool so that the belt is facing the operator. Start the tool and watch how the sanding belt is moving. If the sanding belt moves between the rollers in a two way direction, it will need to be centered before starting operation. Turn the belt centering knob (1) (Fig.5) clockwise or counterclockwise to adjust the belt stroke until it is centered. Turn the tool on for a short time. If the belt is still not centered, turn the belt centering knob (1) to center the belt precisely.



Hold the tool with both hands and stand in a stable position. Press the trigger on/off key and let the tool gain full speed. Hold the tool parallel to the surface to be treated. Gently touch the surface to be treated with the belt.

Attention! The belt sander can initially move forward. Keep the tool from quantum leap forward, let the tool move forward gradually. Do not apply excessive pressure down on the tool, this may cause the belt break. Continue to move the tool forward evenly. If this condition is not met, the grinding will not be uniform. When finished, lift the belt sander completely off the work surface and release the trigger on/off key. Wait until complete stop of the sanding belt before you put the belt sander on the worktable. If the belt does not stop completely, the tool will move forward.

REPLACEMENT OF SANDING BELTS

Locate the belt tension handle (1) and pull it out. Be careful, since the handle is taut and can bounce back into the closed position. Continue pulling the handle until it snaps into place in the position shown in figure.

NOTE: arrows on the inside (1) of the sanding belt indicate the direction of movement (Fig.6). Sanding belts come in various types, from hard to soft. Choose the belt type depending on the material being processed.

Place the sanding belt on the rollers. Make sure that the sanding belt does not touch the edges of the tool case, and the arrows indicating the direction of movement on the inside of the belt indicate the correct direction of movement. Release the belt tension knob.

NOTE: Be careful, since the handle is tensioned by the spring. Make sure that the handle is fully closed. After installing a new sanding belt, check that the belt is centered on the rollers (see section Sanding belt aligning).

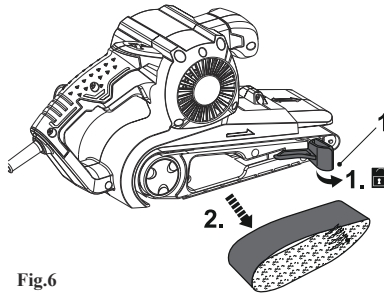


Fig.6

MAINTENANCE

Attention: before carrying out any operation with the belt sander, pull the plug out of the power line socket.

1) Clean the belt sander regularly. For best results in its application, clean the tool every time after using it.

2) Do not use sharp objects to clean the belt sander. Do not allow liquid to enter the belt sander. Use a soft cloth to clean the tool case, in no case do not use gasoline, solvents or detergents, corrode the plastic.

3) Ventilation slots must always be kept open.

4) Remove any sticking griding debris with a fine paint-brush. In order to maintain optimum suction mode from time to time it is necessary to unscrew the dust cap and gently clean out the dust channels.

Service of the power tool shall be performed only by the qualified personnel of the authorized technical service centers. When servicing a power tool, use only specified replacement of consumable parts, nozzle, accessories. The use of non-recommended consumable parts, attachments or accessories may cause damage to the power tool or personal injury. The use of some cleaning products, such as gasoline, ammonia, etc. lead to damage of plastic parts.

Dispose of waste

Damaged power tools, batteries, accessories and waste packaging materials must be recycled and reused in an environmentally friendly manner.

Do not throw power tools and accumulators / batteries into general household waste!

TERMS OF WARRANTY SERVICE

1. This Warranty Certificate is the only document that confirms your right to free warranty service. Without presenting this certificate, no claims are accepted. In case of loss or damage, the warranty certificate is not restored.

2. The warranty period for the electric machine is 12 months from the date of sale, during the warranty period the service department eliminates manufacturing defects and replaces parts that have failed due to the fault of the manufacturer free of charge. In the warranty repair, an equivalent operable product is not provided. Replaceable parts become property of service providers.

P.I.T is not liable for any damage that may be caused by operation of the electric machine.

3. Only clean tool accompanied with the following duly executed documents: this Warranty Certificate, Warranty Card, with all fields filled out, bearing the stamp of the trade organization and the signature of the buyer, shall be accepted for warranty repair.

4. Warranty repair is not performed in the following cases:

- in the absence of a Warranty Certificate and a Warranty Card or their incorrect execution;
- with failure of both a rotor and a stator of the electric engine, charring or melting of primary winding of the welding machine transformer, charging or starting-charging device, with internal parts melting, burn down of electronic circuit boards;
- if a Warranty Certificate or a Warranty Card does not correspond to this electric machine or to the form established by the supplier;
- upon expiration of the warranty period;
- at attempts of opening or repair of the electric machine outside the warranty workshop; making constructive changes and lubrication of the tool during the warranty period, as evidenced, for example, by the creases on the spline parts of the fasteners of non-rotational parts.
- when using electric tools for production or other purposes connected with making a profit, as well as in case of malfunctions related to instability of the power network parameters exceeding the norms established by GOST;
- in the events of improper operation (use the electric machine for other than intended purposes, attachments to the electric machine of attachments, accessories, etc. not provided by the manufacturer);
- with mechanical damage to the case, power cord and in case of damages caused by aggressive agents and high and low temperatures, ingress of foreign objects in the ventilation grids of the electric machine, as well as in case of damage resulting from improper storage (corrosion of metal parts);
- natural wear and tear on the parts of the electric machine, as a result of long-term operation (determined on the basis of the signs of full or partial depletion of the specified mean life, great contamination, presence of rust outside and inside the electric machine, waste lubricant in the gearbox);
- use of the tool the purposes for other than specified in the operating instructions.
- mechanical damages to the tool;
- in the event of damages due to non-observance of the operating conditions specified in the instruction (see chapter "Safety Precautions" of the Manual).
- damage to the product due to non-observance of the rules of storage and transportation.

Preventive maintenance of electric machines (cleaning, washing, lubrication, replacement of anthers, piston and sealing rings) during the warranty period is a paid service.

The service life of the product is determined by the manufacturer and is 5 years from the date of manufacture,

The owner is notified of any possible violations of the above terms of warranty service upon completion of diagnostics in the service center.

The owner of the tool entrusts the diagnostic procedure to be conducted in the service center in his absence.

Do not operate the electric machine when there are signs of excessive heat, sparking, or noise in the gearbox. To determine the cause of the malfunction, the buyer should contact the warranty service center.

Malfunctions caused by late replacement of carbon brushes of the engine are eliminated at the expense of the buyer.

5. The warranty does not cover:

- replacement of parts (accessories and furniture), for example: accumulators, disks, knives, drills, bores, cartridges, chains, sprockets, collet clamps, buses, tensioning elements and fasteners, trim tabs, pads of grinders and tape machines, etc.
- quick-wear parts, for example: carbon brushes, drive belts, glands, protective covers, guide rollers, guides/rails, rubber seals, bearings, timing belts and wheels, shafts, brake band, ratchet wheels and starter cables, piston rings, etc. Replacing them during the warranty period is a paid service.
- power cords, in case of insulation damage, power cords are subject to mandatory replacement without the consent of the owner (paid service),
- casing of machine.

P.I.T. WARRANTY CERTIFICATE

Product Name _____

Product Number □□□□□□□□□□

Place of Seal

Serial Number □□□□□□□□□□□□

Sale Date _____

Trade Organization Name _____

Dear customer!

Thank you for purchasing the P.I.T tool, and we hope that you will be satisfied with your choice. In the process of manufacturing the P.I.T tools pass multilevel quality control, if nevertheless your product will need maintenance, please contact the authorized P.I.T service centers.

Attention!

When buying, ask a seller to check the completeness and operability of the tool, to fill out the Warranty Certificate, the Warranty Card (the boxes shall be filled out by a seller) and to affix the seal of the trade organization in the Guarantee Certificate and the Warranty Card.

Warranty

By this Warranty Certificate, P.I.T. company guarantees the absence of defects of the production nature.

In the event any of the above defects are detected during the warranty period, the specialized P.I.T. service centers shall repair the product and replace the defective spare parts free of charge.

The warranty period for P.I.T. electric machines is 12 months from the date of sale.

“The warranty maintenance terms acknowledged and accepted. The operability and completeness of the product are checked in my presence. No claims on quality and appearance.”

Buyer's Signature _____ Surname (legibly) _____

Phone _____

ОБЩИЕ МЕРЫ БЕЗОПАСНОСТИ

Перед включением проверьте соответствует ли напряжение питания Вашего электроинструмента сетевому напряжению; проверьте исправность кабеля, штепселя и розетки, в случае неисправности этих частей дальнейшая эксплуатация запрещается.

Электроинструменты с двойной изоляцией не требуют подключения через розетку с третьим заземленным проводом. Для электроинструментов без двойной изоляции подключение через розетку с заземленным проводом обязательно

Избегайте контакта тела с заземленными поверхностями типа труб, радиаторов, печей и холодильников. Риск удара током резко возрастает, если ваше тело соприкасается с заземленным объектом. Если использование электроинструмента во влажных местах неизбежно, ток к электроинструменту должен подаваться через специальное устройство – прерыватель отключающее электроинструмент при утечке. Резиновые перчатки электрика и специальная обувь увеличат вашу личную безопасность.

Не подвергайте электроинструменты воздействию дождя или влажным условиям. Вода, попавшая в электроинструмент значительно увеличивает риск удара током.

Аккуратно обращайтесь с электрошнуром. Никогда не используйте шнур, чтобы нести электроинструменты или тянуть штепсель из розетки. Держите шнур вдали от высокой температуры, масляных жидкостей, острых краев или движущихся частей. Замените поврежденные шнуры немедленно. Поврежденные шнуры увеличивают риск удара током.

При действии электроинструмента вне помещений, используйте электроудлинители специально предназначенные для применения вне помещения. Будьте внимательны, постоянно следите за тем что вы делаете, и используйте здравый смысл при работе с электроинструментом. Не используйте электроинструмент в то время как Вы утомлены или находитесь под воздействием лекарств или средств замедляющих реакцию, а также алкоголя или наркотических веществ. Это может привести к серьезной травме.

Носите соответствующую одежду. Слишком свободная одежда, драгоценности или длинные распущенные волосы могут попасть в движущиеся части работающего электроинструмента. Держите ваши волосы, одежду, и перчатки далеко от двигающихся частей. Руки должны быть сухими, чистыми и свободными от следов маслянистых веществ.

Избегайте случайного включения. Убедитесь, что клавиша включения/выключения находится в положении «выключено» («OFF») до включения электроинструмента в розетку. Запрещается перенос электроинструментов при помещенном вашем пальце на клавише включения/выключения.

Удалите регулировочные и/или установочные ключи перед включением электроинструмента. Оставленный ключ, попав в движущиеся части электроинструмента, может привести к поломке электроинструмента или серьезной травме.

Держите равновесие. Используйте хорошую опору и всегда держите надежно баланс тела. Надлежащая опора и баланс позволяют обеспечить контроль над электроинструментом в неожиданных ситуациях.

Используйте средства защиты обеспечивающие Вашу безопасность. Всегда носите защитные очки. Респиратор, нескользящие безопасные ботинки, каска, и/или наушники должны использоваться для соответствующих условий.

Не допускайте присутствия в зоне работы посторонних лиц и детей.

К эксплуатации изделия допускаются только лица, достигшие совершеннолетия, имеющие навыки и / или представление о принципах работы и оперирования изделием, а также не имеющие заболеваний, вызывающих сонливость и/или снижения концентрации внимания.

Держите инструмент за изолированные поверхности, так как ремень может задеть кабель питания. При повреждение провода, находящегося под напряжением, металлические части инструмента также могут оказаться под напряжением, что может привести к поражению работающего электрическим током.

Во время шлифования, особенно при шлифовании выше уровня головы, всегда надевайте защитные очки и пылезащитную маску. Во время шлифования поверхностей, покрытых свинцовыми белилами, некоторых пород древесины и металлических изделий необходимо надевать подходящий респиратор, чтобы предотвратить вдыхание вредной/ токсичной пыли или воздуха.

ВНИМАНИЕ! Не допускайте попадания образующейся при работе пыли в открытый огонь, так как мелкие частицы материалов могут быть взрывоопасны.

ВНИМАНИЕ! В целях безопасности замену кабеля питания должен производить изготовитель или его уполномоченный представитель.

ВНИМАНИЕ! При проведении технического обслуживания используйте только рекомендованные компанией P.I.T. детали.

Использование других запчастей может представлять опасность или повредить изделия. Все ремонтные работы должны проводиться только квалифицированными специалистами сервисных центров.

ВНИМАНИЕ! Во время сборки деталей, выполнения настройки, чистки, технического обслуживания, а также когда инструмент не используется, необходимо обязательно отключить его от источника питания. Отключение устройства от сети предотвращает случайный запуск, который может привести к тяжким телесным повреждениям.

НАЗНАЧЕНИЕ

Ленточная шлифовальная машина предназначена для различных видов шлифования (обдирочного, грубого, финишного) поверхностей из различных материалов, а также для зачистки поверхностей от краски, лака, ржавчины и тому подобного.

РАСШИФРОВКА ТОРГОВОЙ МАРКИ P.I.T.

P.I.T.[®] Progressive Innovational Technology
 (Прогрессивные Инновационные Технологии)

В настоящее время под маркой P.I.T. выпускается механическое и электрическое оборудование 10 видов. По объему продаж ленточные шлифмашины занимают одно из лидирующих мест.

Каждая буква и цифра в обозначении модели ЛШМ P.I.T. имеет значение.

Например, **PBS75-C1**

PBS – ленточная шлифовальная машина

75 – ширина шлифовальной ленты

C1 – серия модификации



модель **PBS75-C1**

ПРИНЦИП РАБОТЫ

Принцип работы ленточной шлифмашины несложен. Ее рабочий орган – склеенная в бесконечное кольцо шлифовальная лента, вращающаяся на двух концевых роликах. Линейная скорость перемещения ленты обычно колеблется в пределах 150–400 м/мин (9–24 км/ч), что обеспечивает эффективный сьем материала с одновременным удалением шлифовальной пыли.

РАСШИФРОВКА ДАТЫ ИЗГОТОВЛЕНИЯ ИЗДЕЛИЯ

Дата изготовления изделия зашифрована в серийном номере, напечатанном на корпусе инструмента. Первые 2 цифры обозначают год выпуска, следующие 2 цифры – месяц и следующие 2 цифры – день

№.

1	7	0	7	3	0	0	3	9	5
---	---	---	---	---	---	---	---	---	---

 год месяц день

ТЕХНИЧЕСКИЕ ХАРАКТЕРИСТИКИ

	PBS75-C1
Номинальное напряжение	220 В
Номинальное частота	50 Гц
Номинальная выходная мощность	900 Вт
Число оборотов	200-380 об/мин
Размер ленты (ДхШ)	533x76 мм
Вес	3,5 кг

ФУНКЦИОНАЛЬНЫЕ ВОЗМОЖНОСТИ И ОСОБЕННОСТИ ЛЕНТОЧНОЙ ШЛИФОВАЛЬНОЙ МАШИНЫ

Функциональные возможности:

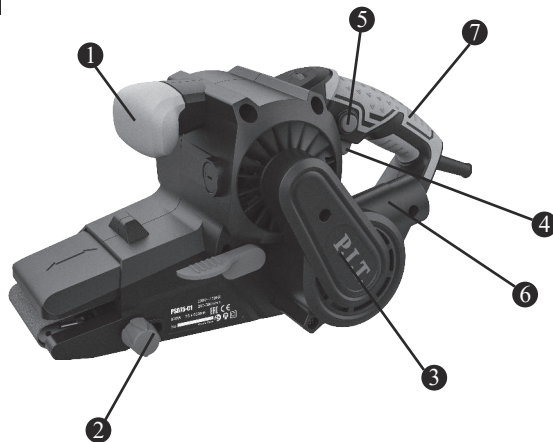
Шлифмашина справляется с подчищением поверхности после обработки рубанком, им можно выравнивать стыковые части заготовок и их торцы. Шлифмашинками можно расширять дверные коробки, не боясь случайно срезать лишнее.

Примечание: есть ■ отсутствует □

Модель	Двойная изоляция	Запасные угольные щетки	Клавиша включения с самоблокировкой	Ручка дополнительная	Пылесборник
PBS75-C1	■	□	■	■	■

ВНЕШНИЙ ВИД ЛЕНТОЧНОЙ ШЛИФОВАЛЬНОЙ МАШИНЫ

модель PBS75-C1



- | | |
|-------------------------------------------|--------------------------------|
| 1. Передняя рукоятка | 5. Кнопка фиксации выключателя |
| 2. Регулятор центровки шлифовальной ленты | 6. Патрубок пылесборника |
| 3. Крышка ременного привода | 7. Задняя рукоятка |
| 4. Выключатель | |

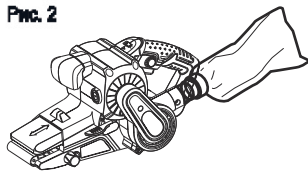
ПРАВИЛА ЭКСПЛУАТАЦИИ

Установка пылесборника

Данная машина оснащена выходом для пылеудаления и пылесборником. Мы рекомендуем всегда использовать данное приспособление, а также подходящую защитную маску.

Установите пылесборник на выход (1) для пылеудаления (Рис. 2)

Рис. 2

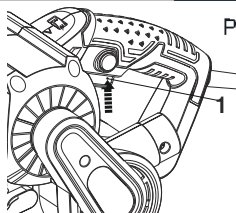


Включение/выключение

Включите штепсельную вилку в розетку сети питания. Для запуска инструмента нажмите кнопку выключателя(1); для остановки инструмента отпустите кнопку выключателя (Рис. 3).

ВНИМАНИЕ! Шлифовальная машина предназначена только для сухого шлифования. Ни при каких обстоятельствах не используйте ее для мокрой шлифовки.

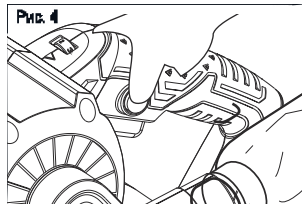
Рис. 3



Кнопка фиксации

Данный инструмент оснащен кнопкой фиксации (1). Когда выключатель нажат, нажмите кнопку фиксации для включения функции непрерывной работы без отжатия выключателя (Рис. 4)

Рис. 4



Центрирование шлифовальной ленты

Перед использованием проверьте, что шлифовальная лента центрирована. Центрирование шлифовальной ленты необходимо для того, чтобы она не слетела с роликов. Поверните машину так, чтобы лента была направлена на оператора (Рис. 5). Запустите машину и наблюдайте, как шлифовальная лента движется. Если шлифовальная лента движется между роликов в двустороннем направлении, то потребуются ее центрирование перед началом работы.

Поворачивайте регулятор (1) центрирования ленты по или против часовой стрелки для настройки хода ленты до тех пор, пока она не будет отцентрирована. Включите инструмент на короткое время. Если лента все еще не центрирована, поворачивайте регулятор (1) центрирования ленты для ее точного центрирования.

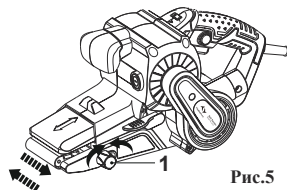


Рис.5

Использование ленточной шлифовальной машины

Держите машину двумя руками и станьте в устойчивое положение. Нажмите триггерный выключатель и дайте машине набрать полную скорость. Держите инструмент параллельно к обрабатываемой поверхности. Аккуратно коснитесь лентой обрабатываемой поверхности.

Внимание! Шлифовальная машина вначале может дернуться вперед. Удержите машину от резкого рывка вперед, позволяйте инструменту двигаться вперед постепенно. Не прилагайте чрезмерного давления вниз на инструмент, это может привести к разрыву ленты. Продолжайте равномерно продвигать машину вперед. Если не будет соблюдено данное условие, то шлифовка не будет равномерной. По окончании работы полностью поднимите шлифовальную машину с обрабатываемой поверхности и отпустите триггерный выключатель. Дождитесь полной остановки шлифовальной ленты перед тем, как положить шлифовальную машину на рабочий стол. Если лента не остановилась полностью, то машина дернется вперед.

Замена шлифовальных лент

Найдите рукоятку (1) натяжения ленты и вытяните ее. Будьте осторожны, так как рукоятка натянута и может отскочить обратно в закрытое положение. Продолжайте вытягивать рукоятку до тех пор, пока она не защелкнется в положении, показанном на рисунке.

ПРИМЕЧАНИЕ: на внутренней стороне (1) шлифовальной ленты нанесены стрелки с указанием направления движения.

Шлифовальные ленты бывают разных типов, от жестких до мягких. Выберите тип ленты в зависимости от обрабатываемого материала.

Установите шлифовальную ленту на ролики. Убедитесь, что шлифовальная лента не касается краев корпуса инструмента, а стрелки, указывающие направление движения на внутренней стороне ленты, указывают правильно направление движения. Отпустите рукоятку натяжения ленты.

ПРИМЕЧАНИЕ: Будьте осторожны, так как рукоятка натянута пружиной. Убедитесь, что рукоятка полностью закрыта. После установки новой шлифовальной ленты, проверьте, что лента центрирована на роликах (смотри раздел Центрирование шлифовальной ленты).

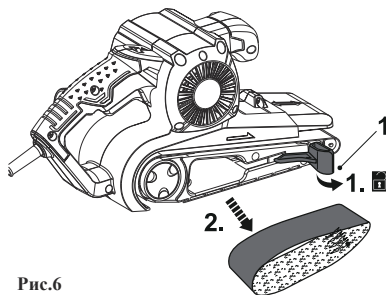


Рис.6

ТЕХНИЧЕСКОЕ ОБСЛУЖИВАНИЕ

Внимание: Прежде чем проводить какие-либо работы с ленточно-шлифовальной машиной вытаскивайте вилку из сетевой розетки.

- 1) Регулярно чистите ленточно-шлифовальную машину. Для достижения наилучших результатов в его применении, очищайте машину каждый раз после ее использования.
 - 2) Не используйте острые предметы для чистки ленточно-шлифовальной машины. Не допускайте попадания жидкости внутрь ленточно-шлифовальной машины. Используйте мягкую ткань для очистки корпуса станка, ни в коем случае не используйте бензин, растворители или моющие средства, разъедают пластмассу.
 - 3) Вентиляционные отверстия всегда должны оставаться открытыми.
 - 4) Удаляйте любой налипающий шлифовальный мусор при помощи тонкой малярной кисти. Для поддержания оптимального режима всасывания время от времени необходимо открывать предохранительную крышку и аккуратно прочищать пылевые каналы.
- Обслуживание электроинструмента должно быть производиться только квалифицированным персоналом уполномоченных сервисных центров. При обслуживании электроинструмента, используйте только рекомендованные сменные расходные части, насадки, аксессуары. Использование не рекомендованных расходных частей, насадок и аксессуаров может привести к поломке электроинструмента или травмам. Использование некоторых средств для чистки, таких как: бензин, аммиак, и т.д. приводят к повреждению пластмассовых частей.

Утилизация

Отслужившие свой срок электроинструменты, принадлежности и упаковку следует сдавать на экологически чистую переработку отходов.

Утилизируйте электроинструмент отдельно от бытового мусора!

Неисправность	Возможная причина	Действия по устранению
Изделие не включается	Нет напряжения в сети	Проверьте напряжение в сети
	Неисправен выключатель, двигатель или иной компонент	Обратитесь в сервисный центр для ремонта или замены
	Полный износ щеток	Замените щетки
	Заклинивание ленты или механизма	Освободите ленту или обратитесь в сервисный центр для ремонта или замены
Изделие включается, но лента не движется или не развивает полную скорость	Низкое напряжение сети	Проверьте напряжение в сети
	Износ щеток	Замените щетки
	Неисправен выключатель, двигатель или иной электронный компонент	Обратитесь в сервисный центр для ремонта или замены
	Порван, слетел или вытянулся приводной ремень	Снимите кожух и проверьте состояние ремня. При необходимости замените
	Замасливание и проскальзывание приводного ремня	Снимите кожух и проверьте состояние ремня. При необходимости очистите
	Повышенное давление на изделие	Ослабьте силу давления
	Заклинивание ленты или механизма	Обратитесь в сервисный центр для ремонта
Изделие остановилось при работе	Пропало напряжение сети	Проверьте напряжение в сети
	Повышенное давление на изделие	Ослабьте силу давления
	Полный износ щеток	Замените щетки

Хранение и транспортировка.

Срок хранения инструмента составляет 2 года с момента производства. Хранить в чистом виде, со снятым сменным инструментом, в сухом проветриваемом помещении, при температуре от 0 до 40 °С, вдали от источников тепла. Не допускать воздействия: прямых солнечных лучей, механических, химических факторов, влаги, агрессивных жидкостей, резких перепадов температуры и влажности. Специальных мер консервации не требует. Транспортировка должна осуществляться в фирменной упаковке производителя, при температуре от -20 до 40 °С. При транспортировке недопустимо воздействие: прямых солнечных лучей, механических и химических факторов, влаги, агрессивных жидкостей, резких перепадов температуры и влажности, нарушение целостности упаковки. Отслужившее срок службы изделие, дополнительные принадлежности и упаковку следует экологически чисто утилизировать.

УСЛОВИЯ ГАРАНТИЙНОГО ОБСЛУЖИВАНИЯ

1. Настоящее гарантийное свидетельство является единственным документом, подтверждающим Ваше право на бесплатное гарантийное обслуживание. Без предъявления данного свидетельства претензии не принимаются. В случае утери или порчи гарантийное свидетельство не восстанавливается.

2. Гарантийный срок на электроинструмент составляет 12 месяцев со дня продажи, в течение гарантийного срока сервисная служба бесплатно устраняет производственные дефекты и производит замену деталей, вышедших из строя по вине изготовителя. На период гарантийного ремонта эквивалентный исправный инструмент не предоставляется. Заменяемые детали переходят в собственность служб сервиса. Компания P.I.T. не несет ответственности за вред, который может быть причинен при работе с электроинструментом.

3. В гарантийный ремонт инструмент принимается в чистом виде, при обязательном наличии надлежащим образом оформленных документов: настоящего гарантийного свидетельства, гарантийного талона, с полностью заполненными полями, штампом торговой организации и подписью покупателя.

4. Гарантийный ремонт не производится в следующих случаях:

- при отсутствии гарантийного свидетельства и гарантийного талона или неправильном их оформлении;
- при совместном выходе из строя якоря и статора электродвигателя, при обугливания или оплавлении первичной обмотки трансформатора сварочного аппарата, зарядного или пуско-зарядного устройства, при оплавлении внутренних деталей, прожиге электронных плат;
- если гарантийное свидетельство или талон не принадлежит данному электроинструменту или не соответствует установленному поставщиком образцу;
- по истечении срока гарантии;
- при попытках самостоятельного вскрытия или ремонта электроинструмента вне гарантийной мастерской; внесения конструктивных изменений и смазки инструмента в гарантийный период, о чем свидетельствуют, например, заломы на шлицевых частях крепежа корпусных деталей.
- при использовании электроинструмента в производственных или иных целях, связанных с получением прибыли, а также – при возникновении неисправностей связанных с нестабильностью параметров электросети, превышающих нормы, установленные ГОСТ;
- при неправильной эксплуатации (использование электроинструмента не по назначению, установки на электроинструмент не предназначенных заводом-изготовителем насадок, дополнительных приспособлений и т.п.;
- при механических повреждениях корпуса, сетевого шнура и при повреждениях, вызванных воздействиями агрессивных средств и высоких и низких температур, попадании инородных предметов в вентиляционные решетки электроинструмента, а также при повреждениях, наступивших в результате неправильного хранения(коррозия металлических частей);
- при естественном износе деталей электроинструмента, в результате длительной эксплуатации(определяется по признакам полной или частичной выработки ресурса, сильного загрязнения, ржавчины снаружи и внутри электроинструмента, обработанной смазки в редукторе);
- использование инструмента не по назначению, указанному в инструкции по эксплуатации.
- при механических повреждениях инструмента;
- при возникновении повреждений в связи с несоблюдением предусмотренных инструкцией условий эксплуатации(см. главу Указание по технике безопасности в инструкции).
- повреждение изделия вследствие несоблюдения правил хранения и транспортировки.

Профилактическое обслуживание электроинструмента (чистка, промывка, смазка, замена пыльников, поршневых и уплотнительных колец) в гарантийный период является платной услугой.

Срок службы изделия установлен в соответствии с действующим законодательством и составляет 5 лет со дня изготовления.

О возможных нарушениях, изложенных выше условий гарантийного обслуживания, владельцу сообщается после проведения диагностики в сервисном центре.

Владелец инструмента доверяет проведение диагностики в сервисном центре в свое отсутствие.

Запрещается эксплуатация электроинструмента при проявлении признаков повышенного нагрева, искрения, а также шума в редукторной части. Для выяснения причин неисправности покупателю следует обратиться в гарантийную мастерскую.

Неисправности, вызванные несвоевременной заменой угольных щеток двигателя, устраняются за счет покупателя.

5. Гарантия не распространяется на:

- сменные принадлежности (аксессуары и оснастка), например: аккумуляторы, диски, ножи, сверла, буры, патроны, цепи, звездочки, цанговые зажимы, шины, элементы натяжения и крепления, головки триммеров, подошвы шлифовальных и ленточных машин, фильтры и т.п.
- быстроизнашивающиеся детали, например: угольные щетки, приводные ремни, сальники, защитные кожухи, направляющие ролики, направляющие, резиновые уплотнения, подшипники, зубчатые ремни и колеса, стволы, ленты тормоза, храповики и тросы стартеров, поршневые кольца и т.п. Замена их в течение гарантийного срока является платной услугой.
- шнуры питания, в случае повреждения изоляции, шнуры питания подлежат обязательной замене без согласия владельца (услуга платная).
- корпуса инструмента.

ГАРАНТИЙНОЕ СВИДЕТЕЛЬСТВО НА ИНСТРУМЕНТ P.I.T.

Наименование изделия _____

Артикул изделия Серийный номер

Дата продажи «__» _____

Наименование торговой организации _____

М.П.

Уважаемый покупатель!

Благодарим Вас за покупку инструмента P.I.T. и надеемся, что Вы останетесь довольны своим выбором. В процессе производства инструменты P.I.T. проходят многоуровневый контроль качества, если тем не менее Ваше изделие будет нуждаться в обслуживании, просим Вас обращаться в авторизированные сервисные центры P.I.T.

Внимание!

При покупке требуйте у продавца проверки комплектности и работоспособности инструмента, заполнение гарантийного свидетельства, гарантийного талона(графы заполняются продавцом) и простановки печати торговой организации в гарантийном свидетельстве и гарантийном талоне.

Гарантия

На основании данного гарантийного свидетельства компания P.I.T. гарантирует отсутствие дефектов производственного характера.

Если в течении гарантийного срока в Вашем изделии тем не менее обнаружатся указанные дефекты, специализированные сервисные центры P.I.T. бесплатно отремонтируют изделие и заменят дефектные запасные части.

Гарантийный срок на электроинструменты P.I.T. составляет 12 месяцев со дня продажи.

«С условиями гарантийного обслуживания ознакомлен(а). Работоспособность и комплектность изделия проверены в моем присутствии. Претензий к качеству и внешнему виду не имею».

Подпись покупателя _____ Фамилия(разборчиво) _____

Телефон _____

P.I.T. WARRANTY CARD



Name _____
 Serial number _____
 Date of sale "" _____
 (Filled by seller)

Seal is here

WARRANTY REPAIR CARD

date of acceptance for repair ____20_____
 Application for repair _____
 Customer _____
 Telephone (address) _____
 The reason for petition _____
 Tool checked in my presence _____
 (The order is filled in the service center) (signature)

Seal is here



Name _____
 Serial number _____
 Date of sale "" _____
 (Filled by seller)

Seal is here

WARRANTY REPAIR CARD

date of acceptance for repair ____20_____
 Application for repair _____
 Customer _____
 Telephone (address) _____
 The reason for petition _____
 Tool checked in my presence _____
 (The order is filled in the service center) (signature)

Seal is here



Name _____
 Serial number _____
 Date of sale "" _____
 (Filled by seller)

Seal is here

WARRANTY REPAIR CARD

date of acceptance for repair ____20_____
 Application for repair _____
 Customer _____
 Telephone (address) _____
 The reason for petition _____
 Tool checked in my presence _____
 (The order is filled in the service center) (signature)

Seal is here

Name _____
 Serial number _____
 The date of sale 20 _____
 The date of receipt of the repair 20 _____

Name _____
 Serial number _____
 The date of sale 20 _____
 The date of receipt of the repair 20 _____

Name _____
 Serial number _____
 The date of sale 20 _____
 The date of receipt of the repair 20 _____

ГАРАНТИЙНЫЙ ТАЛОН P.I.T.


Наименование _____
 Серийный номер _____
 Дата продажи «__» _____ 201__ г.
 (Заполняется продавцом)

М.П.

КАРТА ГАРАНТИЙНОГО РЕМОНТА __ _____ 201__ г.
 Дата приема в ремонт __ _____ 201__ г.
 Заявка на ремонт _____
 Заказчик _____
 Телефон(адрес) _____
 Причина обращения _____
 Дата получения из ремонта __ _____ 201__ г.
 Инструмент проверен в моем присутствии _____
 (Заказ заполняется в сервисном центре) (подпись)

М.П.

Наименование _____
 Серийный номер _____
 Дата продажи «__» _____ 201__ г.
 Дата получения из ремонта «__» _____ 201__ г.



Наименование _____
 Серийный номер _____
 Дата продажи «__» _____ 201__ г.
 (Заполняется продавцом)

М.П.

КАРТА ГАРАНТИЙНОГО РЕМОНТА __ _____ 201__ г.
 Дата приема в ремонт __ _____ 201__ г.
 Заявка на ремонт _____
 Заказчик _____
 Телефон(адрес) _____
 Причина обращения _____
 Дата получения из ремонта __ _____ 201__ г.
 Инструмент проверен в моем присутствии _____
 (Заказ заполняется в сервисном центре) (подпись)

М.П.

Наименование _____
 Серийный номер _____
 Дата продажи «__» _____ 201__ г.
 Дата получения из ремонта «__» _____ 201__ г.



Наименование _____
 Серийный номер _____
 Дата продажи «__» _____ 201__ г.
 (Заполняется продавцом)

М.П.

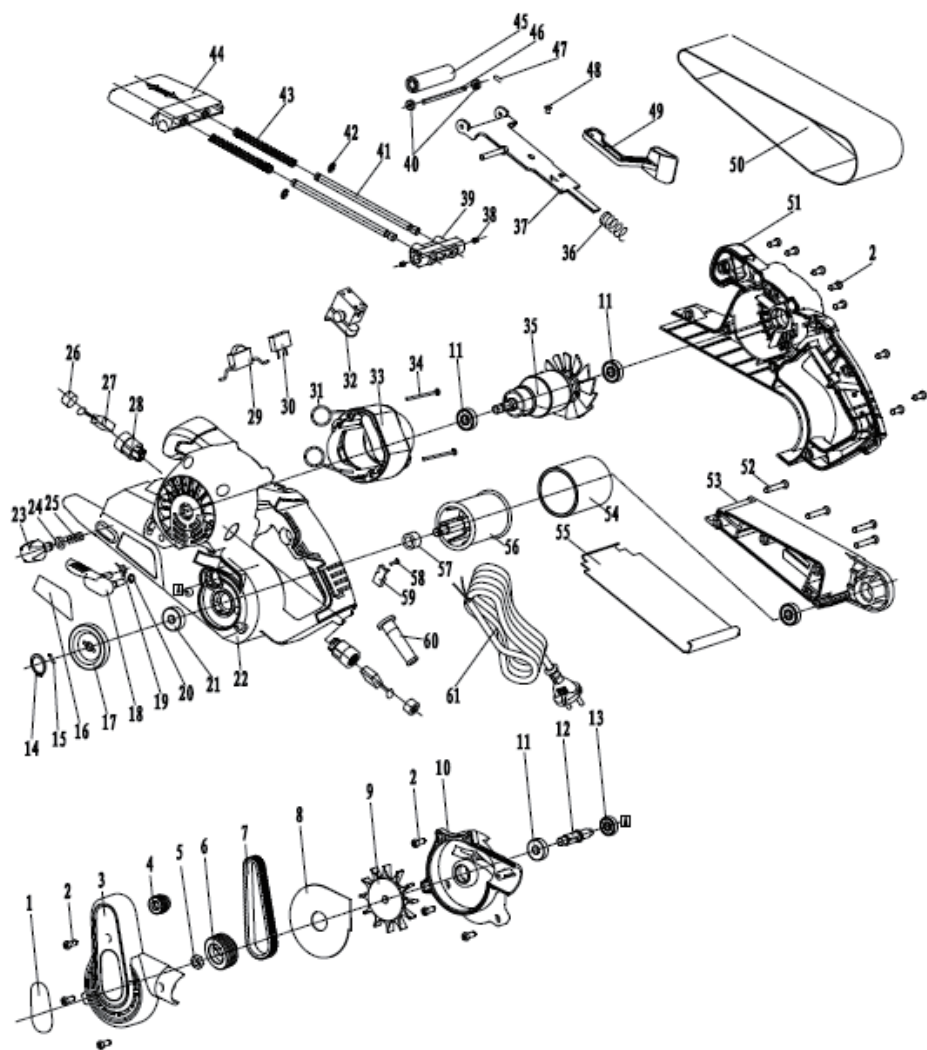
КАРТА ГАРАНТИЙНОГО РЕМОНТА __ _____ 201__ г.
 Дата приема в ремонт __ _____ 201__ г.
 Заявка на ремонт _____
 Заказчик _____
 Телефон(адрес) _____
 Причина обращения _____
 Дата получения из ремонта __ _____ 201__ г.
 Инструмент проверен в моем присутствии _____
 (Заказ заполняется в сервисном центре) (подпись)

М.П.

Наименование _____
 Серийный номер _____
 Дата продажи «__» _____ 201__ г.
 Дата получения из ремонта «__» _____ 201__ г.

P.I.T. WARRANTY SHEET / ГАРАНТИЙНЫЙ ТАЛОН P.I.T.

PBS75-C1





Поставщик / производитель: Xinjiang Longbo Industrial Co., Ltd./Синзянь Лонгбо Индастриал Ко., Лтд.
Адрес производства: Rm. 602, 6th Floor, No. 531, Weixing Road, Economic And Technological Development Zone, Urumqi, Xinjiang, China / Оф.602, 6 этаж, №531, Вейшинг Родд, Экономик Энд Технолоджикал Девелопмент Зон, Урумчи, Синзянь, Китай
Импортер/ организация, уполномоченная принимать претензии: ООО «Турбо-Тулс»
Юридический адрес: 614058, Пермский край, г. Пермь, ул. Фоминская, 36
info@pittools.ru
Сделано в КНР / Made in China

