



P.I.T.[®]

Progressive Innovational Technology

EN

PRODUCT PASSPORT
USER'S MANUAL

RU

ПАСПОРТ ИЗДЕЛИЯ ИНСТРУКЦИЯ
ПОЛЬЗОВАТЕЛЯ

BENCH GRINDER

ЭЛЕКТРИЧЕСКИЙ ТОЧИЛЬНЫЙ СТАНОК



EAC

PBG125-C1

PBG150-C1

PBG200-C1

PROGRESSIVE INNOVATIONAL TECHNOLOGY

ПРОГРЕССИВНЫЕ ИННОВАЦИОННЫЕ ТЕХНОЛОГИИ



GENERAL SAFETY PRECAUTIONS

1. Do not use the power tool for any purpose other than those specified in this manual.
2. Do not allow the use of the power tool by unqualified persons, non-adults or persons with insufficient physical abilities for the tool use. If you are transferring the power tool to others, please provide details on how to use it and read this manual.
3. Do not immerse the power tool or parts of it in water or other liquids.
4. Do not use the power tool if there is a risk of fire or explosion, for example, near flammable liquids or gases.
5. Carry the power tool by holding it by the base.
6. Do not carry the tool while it is on.
7. Make sure that the mains settings are as specified on the power tool and in this manual.
8. Connect the power tool to the mains only after you have checked that the on/off control is in the "0" position.
9. Wear personal protective equipment during operation. If necessary, use special gloves, glasses and headphones.
10. When working with power tool, it is recommended to wear suitable clothing so that no parts come into contact with the tool. Also, make sure that there is nothing on you that could interfere with the work or cause unwanted consequences.
11. Do not install the tool on an uneven or unstable surface.
12. Bring the workpiece to the grinding disc only after the engine has reached maximum speed.
13. Nothing but the workpiece must touch the moving parts of the bench grinder.
14. Do not allow the load of power tool, causing it to stop.
15. Do not apply lateral pressure on the grinding discs to stop the engine.
16. Do not leave the bench grinder running unattended.
17. Try to keep the workpiece / part so that the abrasive, sparks, dust and fine particles do not fly in your direction. It is highly recommended to use a transparent protective screen.
18. Avoid getting the power cord on the workpiece / blank part.
19. Keep the power cord away from heat, oil, and sharp objects.
20. Do not allow children, animals or strangers to enter the work area.
21. When unplugging power tool, hold the plug of the power cord.
22. Always unplug the power tool when you are not using it, and:
 - In case of any problems;
 - Before changing grinding discs or cleaning;
 - After completion of the work.
23. Do not use power tool after it has been dropped or if it shows any signs of damage. Contact an authorized technical service center to diagnose or repair power tool.
24. If the mains cable is damaged, it must be replaced by the manufacturer, its agent or a similarly qualified person in order to avoid danger. Replacement of the power cord is carried out in the authorized technical service center according to the current rate.
25. Operation and maintenance must be carried out strictly in accordance with this manual.
26. Do not use cleaning agents that may damage the tool (gasoline and other aggressive substances).
27. It is prohibited for children to have contact with the tool.

EXPLANATION OF P.I.T. TRADEMARK

P.I.T. Progressive Innovational Technology

Currently, 10 kinds of mechanical and electrical equipment are produced under the P.I.T. trademark.

The designation of the PBG125-C1 electric bench grinder model has the following meaning.

PBG125-C1:

P – Trademark of P.I.T.

GB – bench grinder

125– grinding disc diameter 125 mm.

C – modification series



Model PBG125-C1

INTENDED USE

The bench grinder is intended for sharpening of the cutting tool, household equipment, cleaning of welded seams, grinding of various products and other works.

The bench grinder is designed for use under the conditions of the moderate climate at ambient temperatures from -15°C to + 35°C and a relative humidity of 80 % at 15°C.

Grinding discs are used as a working tool:

- An abrasive grinding disc with medium grain is suitable for rough grinding when a significant amount of metal needs to be removed or when obtaining a smooth surface finish is not necessary.
- An abrasive grinding disc with fine grain should be used for sharpening tools or grinding with a small thickness tolerance, as it removes metal gradually, gives the workpiece a smoother surface.

PRODUCT SPECIFICATIONS

	PBG125-C1	PBG150-C1	PBG200-C1
Rated voltage	220 V	220 V	220 V
Rated frequency	50 Hz	50 Hz	50 Hz
Grinding disc size	125X16X16 mm	150X20X20 mm	200X20X20 mm
No-load speed	2950 rpm	2950 rpm	2950 rpm
Capacity	200W	300W	500W
Disc diameter	125mm	150mm	200mm

FUNCTIONAL CAPABILITIES AND FEATURES

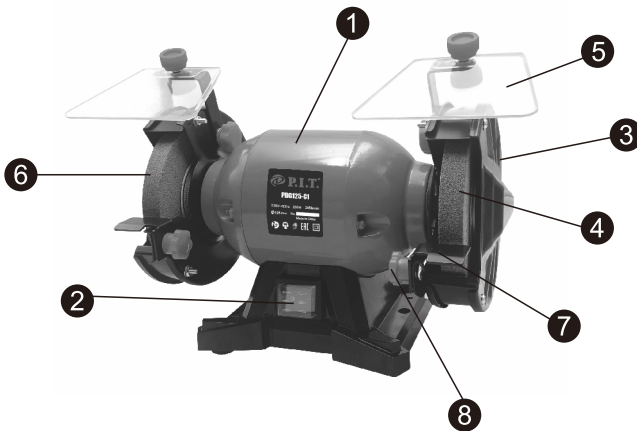
Functional capabilities:

The bench grinder is intended for sharpening of the cutting tool, household equipment, cleaning of welded seams, grinding of various products and other works.

Features:

- Induction motor – long service life;
- Transparent safety glass;
- Anti-slip rubber supports;
- Two grinding discs: one for roughing, the second for finishing.

BENCH GRINDER ASSEMBLY



- | | |
|------------------------------|---------------------|
| 1. Motor case | 6. Grinding disc |
| 2. Speed controller | 7. Limit stop |
| 3. Protective cover assembly | 8. Regulating screw |
| 4. Abrasive stone | |
| 5. Safety glass | |

STANDARD SET

- Operation manual
- Bench grinder with two installed discs
- Safety glass with mounting (2 sets)
- Working platform with mounting (2 sets)
- Flexible shaft

RULES OF OPERATION

Installation of the bench grinder on the worktable

The bench grinder is fixed with bolts (not supplied) through special holes on the case base.

1. Apply the markings on the worktable based on the location of the mounting holes on the grinder base.
2. Based on the marking, drill holes in the worktable/workbench.
3. Align the tool mounting holes with the worktable holes and secure with bolts.

Installing / replacing grinding disc

Before installing/replacing the grinding disc (4), disconnect the tool power cord from the mains. To replace/install the grinding disc (4):

1. Remove protective cover (3). To do this, unscrew the screws securing the protective cover, using a screwdriver of the required size.
2. Unscrew the locking nut on the outside of the grinding disc (4). It is important to know that the right stroke-end of the spindle is applied the right-handed thread, on the left respectively left-handed thread. Such technical features are introduced specifically to prevent loosening of the locking nuts during spindle rotation.
3. Remove the outer fastener puck, then the grinding disc (4) and the inner fastener puck.
4. Clean both the fastener pucks.
5. Install the inner fastener puck with paper gasket.
6. Set a new grinding disc (4).
7. Install the outer fastener puck with paper gasket on the grinding disc.
8. Securely tighten the nut on the spindle.
9. Install the grinding disc protective cover (3).

Installation and adjustment of safety glasses holders

Safety glasses (5) prevent the ingress of sparks into the face and hands of the operator. It is not recommended to remove, move aside or disassemble these devices during or before operation.

For installation of safety glasses it is necessary:

1. Press the holder plank of the safety glass in the intended hole on the case plank of the bench grinder.
2. Align the holes on both planks according to the required position of the safety glass.
3. Secure the safety glass (5) with the adjustment screw.
4. By moving the glass (5) up or down, place it in the desired position for maximum protection against sparks, abrasive, etc.

Adjusting the distance between the working platform and the grinding disc

For the grinding disc wear compensation, the distance between the working platform (8) and the grinding disc should be adjusted periodically.

1. To loosen the platform lock, unscrew the screw (9) counterclockwise.
2. Next, adjust the distance between the platform and the grinding disc (4). It is not recommended to set a distance greater than 2 mm.
3. Fix the screw by turning it clockwise.
4. After adjustment it is recommended to check reliability of the working platform fastening.

Turning on and off the bench grinder

1. To turn on the bench grinder - turn the speed adjustment knob clockwise to the desired speed.
2. To turn off the bench grinder - turn the speed adjustment knob counterclockwise to the "0" mark.

MAINTENANCE

1. Store power tool and consumables to it (grinding discs) is necessary at an ambient temperature of 0°C to +40°C and a relative humidity of not more than 80% out of the reach of children.
2. Check that all screws are securely fastened on a regular basis. If a loose screw is detected, tighten it immediately. Otherwise, you put yourself to the risk of injury.
3. It is necessary to take special care of the electromotor, avoid contact with water or oil to its windings.
4. Clean the power tool intensively after operation.
5. The specified service life is valid if the customer complies with the manual requirements.

TERMS OF WARRANTY SERVICE

1. This Warranty Certificate is the only document that confirms your right to free warranty service. Without presenting this certificate, no claims are accepted. In case of loss or damage, the warranty certificate is not restored.

2. The warranty period for the electric machine is 12 months from the date of sale, during the warranty period the service department eliminates manufacturing defects and replaces parts that have failed due to the fault of the manufacturer free of charge. In the warranty repair, an equivalent operable product is not provided. Replaceable parts become property of service providers.

P.I.T. is not liable for any damage that may be caused by operation of the electric machine.

3. Only clean tool accompanied with the following duly executed documents: this Warranty Certificate, Warranty Card, with all fields filled out, bearing the stamp of the trade organization and the signature of the buyer, shall be accepted for warranty repair.

4. Warranty repair is not performed in the following cases:

- in the absence of a Warranty Certificate and a Warranty Card or their incorrect execution;
- with failure of both a rotor and a stator of the electric engine, charring or melting of primary winding of the welding machine transformer, charging or starting-charging device, with internal parts melting, burn down of electronic circuit boards;
- if a Warranty Certificate or a Warranty Card does not correspond to this electric machine or to the form established by the supplier;
- upon expiration of the warranty period;
- at attempts of opening or repair of the electric machine outside the warranty workshop; making constructive changes and lubrication of the tool during the warranty period, as evidenced, for example, by the creases on the spline parts of the fasteners of non-rotational parts.
- when using electric tools for production or other purposes connected with making a profit, as well as in case of malfunctions related to instability of the power network parameters exceeding the norms established by GOST;
- in the events of improper operation (use the electric machine for other than intended purposes, attachments to the electric machine of attachments, accessories, etc. not provided by the manufacturer);
- with mechanical damage to the case, power cord and in case of damages caused by aggressive agents and high and low temperatures, ingress of foreign objects in the ventilation grids of the electric machine, as well as in case of damage resulting from improper storage (corrosion of metal parts);
- natural wear and tear on the parts of the electric machine, as a result of long-term operation (determined on the basis of the signs of full or partial depletion of the specified mean life, great contamination, presence of rust outside and inside the electric machine, waste lubricant in the gearbox);
- use of the tool for purposes for other than specified in the operating instructions.
- mechanical damages to the tool;
- in the event of damages due to non-observance of the operating conditions specified in the instruction (see chapter "Safety Precautions" of the Manual).
- damage to the product due to non-observance of the rules of storage and transportation.

Preventive maintenance of electric machines (cleaning, washing, lubrication, replacement of anthers, piston and sealing rings) during the warranty period is a paid service.

The service life of the product is determined by the manufacturer and is 2 years from the date of manufacture.

The owner is notified of any possible violations of the above terms of warranty service upon completion of diagnostics in the service center.

The owner of the tool entrusts the diagnostic procedure to be conducted in the service center in his absence.

Do not operate the electric machine when there are signs of excessive heat, sparking, or noise in the gearbox. To determine the cause of the malfunction, the buyer should contact the warranty service center.

Malfunctions caused by late replacement of carbon brushes of the engine are eliminated at the expense of the buyer.

5. The warranty does not cover:

- replacement accessories (accessories and components), for example: batteries, discs, blades, drill bits, borers, chucks, chains, sprockets, collet clamps, guide rails, tension and fastening elements, trimming device heads, base of grinding and belt sander machines, filters, etc.,
- fast wearing parts, for example: carbon brushes, drive belts, seals, protective covers, guiding rollers, guides, rubber seals, bearings, toothed belts and wheels, shanks, brake belts, starter ratchets and ropes, piston rings, etc. Their replacement during the warranty period is a paid service;
- power cords, in case of damage to the insulation, power cords are subject to mandatory replacement without the consent of the owner (paid service);
- tool case;

P.I.T. WARRANTY CERTIFICATE

Product Name _____

Product Number

Place of Seal

Serial Number

Sale Date _____

Trade Organization Name _____

Dear customer!

Thank you for purchasing the P.I.T tool, and we hope that you will be satisfied with your choice. In the process of manufacturing the P.I.T tools pass multilevel quality control, if nevertheless your product will need maintenance, please contact the authorized P.I.T service centers.

Attention!

When buying, ask a seller to check the completeness and operability of the tool, to fill out the Warranty Certificate, the Warranty Card (the boxes shall be filled out by a seller) and to affix the seal of the trade organization in the Guarantee Certificate and the Warranty Card.

Warranty

By this Warranty Certificate, P.I.T. company guarantees the absence of defects of the production nature.

In the event any of the above defects are detected during the warranty period, the specialized P.I.T. service centers shall repair the product and replace the defective spare parts free of charge.

The warranty period for P.I.T. electric machines is 12 months from the date of sale.

“The warranty maintenance terms acknowledged and accepted. The operability and completeness of the product are checked in my presence. No claims on quality and appearance.”

Buyer’s Signature _____ **Surname (legibly)** _____

Phone _____

ОБЩИЕ МЕРЫ БЕЗОПАСНОСТИ

1. Не используйте электрооборудование для любых иных целей, кроме указанных в данном руководстве.
2. Не допускайте использования электрооборудования неквалифицированными, несовершеннолетними лицами или людьми с недостаточными для использования оборудования физическими данными. В случае передачи электрооборудования другим лицам подробно расскажите о правилах его использования и дайте ознакомиться с настоящим руководством.
3. Не погружайте электрооборудование или отдельные его части в воду или другие жидкости.
4. Не используйте электрооборудование, если есть риск возгорания или взрыва, например, вблизи легковоспламеняющихся жидкостей или газов.
5. Переносите электрооборудование, держа его за основание.
6. Не переносите во включенном состоянии.
7. Убедитесь в том, что параметры сети соответствуют параметрам, указанным на электрооборудовании и в настоящем руководстве.
8. Подключайте электрооборудование к сети только после того, как Вы убедитесь, что выключатель находится в положении «0».
9. При работе пользуйтесь средствами индивидуальной защиты. В случае необходимости воспользуйтесь специальными перчатками, очками и наушниками.
10. При работе с электрооборудованием рекомендуется надевать подходящую одежду, чтобы никакие части не контактировали с инструментом. Также убедитесь, что на Вас нет ничего, что могло бы помешать работе или вызвать неблагоприятные последствия.
11. Запрещено устанавливать оборудование на неровную или неустойчивую поверхность.
12. Подводите обрабатываемую заготовку к точильным кругам только после того, как двигатель наберет максимальные обороты.
13. Ничего, кроме обрабатываемой детали, не должно касаться движущихся частей заточного станка.
14. Не допускайте нагрузку электрооборудования, вызывающую его остановку.
15. Запрещается осуществлять боковое давление на точильные круги с целью остановки двигателя.
16. Не оставляйте включенный заточный станок без внимания.
17. Старайтесь держать заготовку/деталь так, чтобы абразив, искры, пыль и мелкие частицы не летели в вашу сторону. Настоятельно рекомендуется использовать прозрачные защитные экраны.
18. Избегайте попадания сетевого кабеля на обрабатываемую деталь/заготовку.
19. Держите сетевой кабель вдали от источника нагрева, масла и острых предметов.
20. Не допускайте присутствия детей, животных или посторонних в рабочей зоне.
21. При отключении электрооборудования от сети держитесь за штекер сетевого кабеля.
22. Всегда отключайте электрооборудование от электросети, когда Вы его не используете, а также:
 - в случае любых неполадок;
 - перед сменой точильных кругов или чисткой;
 - после окончания работ.
23. Не пользуйтесь электрооборудованием после его падения или если на нем видны какие-либо следы повреждения. Обратитесь в авторизованный сервисный центр для диагностики или ремонта электрооборудования.
24. При повреждении сетевого кабеля во избежание опасности его должен заменить изготовитель, его агент или аналогичное квалифицированное лицо. Замена сетевого кабеля осуществляется в авторизованном сервисном центре согласно действующему тарифу.
25. Работа и техобслуживание должны осуществляться строго в соответствии с данным руководством.
26. Не используйте чистящие средства, которые могут повредить оборудование (бензин и прочие агрессивные вещества).
27. Запрещено детям контактировать с оборудованием.

РАСШИФРОВКА ТОРГОВОЙ МАРКИ P.I.T.

P.I.T.[®] Progressive Innovational Technology
(Прогрессивные Инновационные Технологии)

В настоящее время под маркой P.I.T. выпускается механическое и электрическое оборудование 10 видов.

Обозначение модели электрического точильного станка PBG125-C1 имеет следующее значение:

PBG125-C1:

P – торговая марка P.I.T.

GB – станок точильный

125 – диаметр точильного круга 125 мм

C1 – серия модификации



модель PBG125-C1

НАЗНАЧЕНИЕ

Точильный станок предназначен для заточки режущего инструмента, хозяйственного инвентаря, зачистки сварных швов, шлифования различных изделий и других работ.

Точильный станок предназначен для эксплуатации в условиях умеренного климата при температуре окружающего воздуха от -15°C до +35°C и относительной влажности воздуха 80 % при 15°C.

В качестве рабочего инструмента применяются шлифовальные круги:

- Абразивный шлифовальный круг со средним зерном подходит для грубого шлифования, когда необходимо снять значительное количество металла, либо когда получение гладкой обработанной поверхности не является необходимым.
- Абразивный шлифовальный круг с мелким зерном должен использоваться для заточки инструментов или шлифования с маленьким допуском по толщине, поскольку он удаляет металл постепенно, дает заготовке более гладкую поверхность.

ТЕХНИЧЕСКИЕ ХАРАКТЕРИСТИКИ

	PBG125-C1	PBG150-C1	PBG200-C1
Номинальное напряжение	220 В	220 В	220 В
Частота тока	50 Гц	50 Гц	50 Гц
Размер точильного диска	125X16X16 мм	150X20X20мм	200X20X20мм
Число оборотов на холостом ходу	2950 об/мин	2950 об/мин	2950 об/мин
Мощность	200 Вт	300 Вт	500 Вт
Диаметр диска	125 мм	150 мм	200 мм

ФУНКЦИОНАЛЬНЫЕ ВОЗМОЖНОСТИ И ОСОБЕННОСТИ

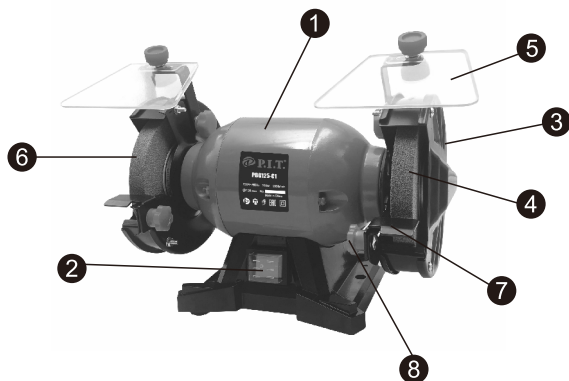
Функциональные возможности:

Точило предназначено для заточки режущего инструмента, хозяйственного инвентаря, зачистки сварных швов, шлифования различных изделий и других работ.

Особенности:

- Асинхронный двигатель – длительный срок службы;
- Прозрачный защитный щиток;
- Антискользящие резиновые ножки;
- Два шлифовальных круга: один для грубой обработки, второй – для чистовой.

УСТРОЙСТВО ТОЧИЛЬНОГО СТАНКА



- | | |
|---------------------------|----------------------|
| 1. Корпус двигателя | 6. Шлифовальный круг |
| 2. Регулятор скорости | 7. Упор |
| 3. Защитный кожух в сборе | 8. Регулирующий винт |
| 4. Абразивный камень | |
| 5. Защитное стекло | |

КОМПЛЕКТ ПОСТАВКИ

- Руководство по эксплуатации
- Заточной станок с двумя установленными кругами
- Защитный экран с креплением (2 комплекта)
- Рабочая площадка с креплением (2 комплекта)
- Гибкий вал

ПРАВИЛА ЭКСПЛУАТАЦИИ

Установка точильного станка на рабочем столе

Точильный станок фиксируется при помощи болтов (не входят в комплект поставки) через специальные отверстия на основании корпуса.

1. Нанесите разметку на рабочем столе исходя из расположения монтажных отверстий на основании точильного станка.
2. На основе разметки, просверлите отверстия в рабочем столе/верстаке.
3. Совместите монтажные отверстия на станке с отверстиями на рабочем столе и зафиксируйте болтами.

Установка/замена точильного круга

Прежде, чем приступать к установке/замене точильного круга (4), необходимо отсоединить сетевой кабель станка от сети.

Для замены/установки точильного круга (4) необходимо:

1. Снять защитный кожух (3). Для этого необходимо открутить винты фиксации защитного кожуха, используя отвертку необходимого размера.
2. Открутить фиксирующую гайку, находящуюся с внешней стороны точильного круга (4). При этом важно знать, что на правом конце шпинделя нанесена правая резьба, на левом, соответственно, левая. Такие технические особенности введены специально, для того чтобы предотвратить откручивание фиксирующих гаек в процессе вращения шпинделя.
3. Снять наружную прижимную шайбу, затем точильный круг (4) и прижимную внутреннюю шайбу.
4. Очистить обе прижимные шайбы.
5. Установить внутреннюю прижимную шайбу с картонной прокладкой.
6. Установить новый точильный круг (4).
7. Установить наружную прижимную шайбу с картонной прокладкой на точильный круг.
8. Надежно затянуть гайку на шпинделе.
9. Установить защитный кожух точильного круга (3).

Установка и регулировка держателей защитных экранов

Защитные экраны (5) предотвращают попадание искр в лицо и на руки оператора. Снимать, отодвигать или демонтировать эти приспособления во время или перед работой крайне не рекомендуется.

Для установки защитных экранов необходимо:

1. Прижать планку держателя защитного экрана к предназначенному отверстию на планке корпуса точильного станка.
2. Совместить отверстия на обеих планках согласно необходимому положению защитных экранов.
3. При помощи регулировочного винта закрепить защитный экран (5).
4. Перемещая защитный экран (5) вверх или вниз, установите его в необходимое положение для наибольшей защиты от искр, абразива и т.д.

Регулировка расстояния между рабочей площадкой и точильным кругом

Для компенсации износа точильных кругов следует периодически проводить регулировку расстояния между рабочей площадкой (8) и точильным кругом.

1. Чтобы ослабить фиксацию площадки следует открутить винт (9) против часовой стрелки.
2. Далее отрегулируйте расстояние между площадкой и точильным кругом (4). Не рекомендуется устанавливать расстояние больше 2 мм.
3. Зафиксируйте винтом, закрутив его по часовой стрелке.
4. После регулировки рекомендуется проверить надежность крепления рабочей площадки.

Включение и выключение точильного станка

1. Для включения точила – поверните ручку регулировки скорости по часовой стрелке до необходимого показателя оборотов.
2. Для отключения точила – поверните ручку регулировки скорости против часовой стрелки до отметки «0».

ТЕХНИЧЕСКОЕ ОБСЛУЖИВАНИЕ

1. Хранить электрооборудование и расходный материал к нему (точильные круги) необходимо при температуре окружающей среды от 0°С до +40°С и относительной влажности воздуха не более 80% в месте, недоступном для детей.
2. Регулярно проверяйте надежность крепления всех винтов. При обнаружении ослабленного винта немедленно затяните его. В противном случае Вы подвергаете себя риску получения травмы.
3. Необходимо особенно бережно относиться к электродвигателю, избегать попадания воды или масла в его обмотки.
4. После работы тщательно протирайте электрооборудование.
5. Указанный срок службы действителен при соблюдении потребителем требований настоящего руководства.

УСЛОВИЯ ГАРАНТИЙНОГО ОБСЛУЖИВАНИЯ

1. Настоящее гарантийное свидетельство является единственным документом, подтверждающим Ваше право на бесплатное гарантийное обслуживание. Без предъявления данного свидетельства претензии не принимаются. В случае утери или порчи гарантийное свидетельство не восстанавливается.
 2. Гарантийный срок на электроинструмент составляет 12 месяцев со дня продажи, в течение гарантийного срока сервисная служба бесплатно устраняет производственные дефекты и производит замену деталей, вышедших из строя по вине изготовителя. На период гарантийного ремонта эквивалентный исправный инструмент не предоставляется. Заменяемые детали переходят в собственность служб сервиса. Компания P.I.T. не несет ответственности за вред, который может быть причинен при работе с электроинструментом.
 3. В гарантийный ремонт инструмент принимается в чистом виде, при обязательном наличии надлежащим образом оформленных документов: настоящего гарантийного свидетельства, гарантийного талона, с полностью заполненными полями, штампом торговой организации и подписью покупателя.
 4. Гарантийный ремонт не производится в следующих случаях:
 - при отсутствии гарантийного свидетельства и гарантийного талона или неправильном их оформлении;
 - при совместном выходе из строя якоря и статора электродвигателя, при обугливаниях или оплавлении первичной обмотки трансформатора сварочного аппарата, зарядного или пуско-зарядного устройства, при оплавлении внутренних деталей, прожиге электронных плат;
 - если гарантийное свидетельство или талон не принадлежат данному электроинструменту или не соответствует установленному поставщиком образцу;
 - по истечении срока гарантии;
 - при попытках самостоятельного вскрытия или ремонта электроинструмента вне гарантийной мастерской; внесения конструктивных изменений и смазки инструмента в гарантийный период, о чем свидетельствуют, например, заломы на шлицевых частях крепежа корпусных деталей.
 - при использовании электроинструмента в производственных или иных целях, связанных с получением прибыли, а также – при возникновении неисправностей связанных с нестабильностью параметров электросети, превышающих нормы, установленные ГОСТ;
 - при неправильной эксплуатации (использование электроинструмента не по назначению, установки на электроинструмент не предназначенных заводом-изготовителем насадок, дополнительных приспособлений и т.п.;
 - при механических повреждениях корпуса, сетевого шнура и при повреждениях, вызванных воздействиями агрессивных средств и высоких и низких температур, попадании инородных предметов в вентиляционные решетки электроинструмента, а также при повреждениях, наступивших в результате неправильного хранения(коррозия металлических частей);
 - при естественном износе деталей электроинструмента, в результате длительной эксплуатации(определяется по признакам полной или частичной выработки ресурса, сильного загрязнения, ржавчины снаружи и внутри электроинструмента, отработанной смазки в редукторе);
 - использование инструмента не по назначению, указанному в инструкции по эксплуатации.
 - при механических повреждениях инструмента;
 - при возникновении повреждений в связи с несоблюдением предусмотренных инструкцией условий эксплуатации(см. главу Указание по технике безопасности в инструкции).
 - повреждение изделия вследствие несоблюдения правил хранения и транспортировки.
- Профилактическое обслуживание электроинструмента (чистка, промывка, смазка, замена пыльников, поршневых и уплотнительных колец) в гарантийный период является платной услугой.
- Срок службы изделия установлен в соответствии с действующим законодательством и составляет 5 лет со дня изготовления.
- О возможных нарушениях, изложенных выше условий гарантийного обслуживания, владельцу сообщается после проведения диагностики в сервисном центре.
- Владелец инструмента доверяет проведение диагностики в сервисном центре в свое отсутствие.
- Запрещается эксплуатация электроинструмента при проявлении признаков повышенного нагрева, искрения, а также шума в редукторной части. Для выяснения причин неисправности покупателю следует обратиться в гарантийную мастерскую.
- Неисправности, вызванные несвоевременной заменой угольных щеток двигателя, устраняются за счет покупателя.
5. Гарантия не распространяется на:
 - сменные принадлежности (аккумуляторы и оснастка), например: аккумуляторы, диски, ножи, сверла, буры, патроны, цепи, звездочки, цанговые зажимы, шины, элементы натяжения и крепления, головки триммеров, подошвы шлифовальных и ленточных машин, фильтры и т.п.
 - быстроизнашивающиеся детали, например: угольные щетки, приводные ремни, сальники, защитные кожухи, направляющие ролики, направляющие, резиновые уплотнения, подшипники, зубчатые ремни и колеса, стволы, ленты тормоза, храловики и тросы стартеров, поршневые кольца и т.п. Замена их в течении гарантийного срока является платной услугой.
 - шнуры питания, в случае повреждения изоляции, шнуры питания подлежат обязательной замене без согласия владельца (услуга платная).
 - корпуса инструмента.

ГАРАНТИЙНОЕ СВИДЕТЕЛЬСТВО НА ИНСТРУМЕНТ P.I.T.

Наименование изделия _____

Артикул изделия Серийный номер

Дата продажи «__» _____

Наименование торговой организации _____

М.П.

Уважаемый покупатель!

Благодарим Вас за покупку инструмента P.I.T. и надеемся, что Вы останетесь довольны своим выбором. В процессе производства инструменты P.I.T. проходят многоуровневый контроль качества, если тем не менее Ваше изделие будет нуждаться в обслуживании, просим Вас обращаться в авторизованные сервисные центры P.I.T.

Внимание!

При покупке требуйте у продавца проверки комплектности и работоспособности инструмента, заполнение гарантийного свидетельства, гарантийного талона (графы заполняются продавцом) и простановки печати торговой организации в гарантийном свидетельстве и гарантийном талоне.

Гарантия

На основании данного гарантийного свидетельства компания P.I.T. гарантирует отсутствие дефектов производственного характера.

Если в течении гарантийного срока в Вашем изделии тем не менее обнаружатся указанные дефекты, специализированные сервисные центры P.I.T. бесплатно отремонтируют изделие и заменят дефектные запасные части.

Гарантийный срок на электроинструменты P.I.T. составляет 12 месяцев со дня продажи.

«С условиями гарантийного обслуживания ознакомлен(а). Работоспособность и комплектность изделия проверены в моем присутствии. Претензий к качеству и внешнему виду не имею».

Подпись покупателя _____ Фамилия(разборчиво) _____

Телефон _____

P.I.T. WARRANTY CARD

Name _____
 Serial number _____
 The date of sale 20 ____
 The date of receipt of the repair 20 ____



Name _____
 Serial number _____
 Date of sale "" _____
 (Filled by seller)

Seal is here

WARRANTY REPAIR CARD
 date of acceptance for repair ____ 20 ____ .
 Application for repair _____
 Customer _____
 Telephone (address) _____
 The reason for petition _____
 Tool checked in my presence _____
 (The order is filled in the service center) (signature)

Seal is here

Name _____
 Serial number _____
 The date of sale 20 ____
 The date of receipt of the repair 20 ____



Name _____
 Serial number _____
 Date of sale "" _____
 (Filled by seller)

Seal is here

WARRANTY REPAIR CARD
 date of acceptance for repair ____ 20 ____ .
 Application for repair _____
 Customer _____
 Telephone (address) _____
 The reason for petition _____
 Tool checked in my presence _____
 (The order is filled in the service center) (signature)

Seal is here

Name _____
 Serial number _____
 The date of sale 20 ____
 The date of receipt of the repair 20 ____



Name _____
 Serial number _____
 Date of sale "" _____
 (Filled by seller)

Seal is here

WARRANTY REPAIR CARD
 date of acceptance for repair ____ 20 ____ .
 Application for repair _____
 Customer _____
 Telephone (address) _____
 The reason for petition _____
 Tool checked in my presence _____
 (The order is filled in the service center) (signature)

Seal is here

ГАРАНТИЙНЫЙ ТАЛОН P.I.T.

Наименование _____
 Серийный номер _____
 Дата продажи «__» ____ 20__ г.
 Дата получения из ремонта «__» ____ 20__ г.



Наименование _____
 Серийный номер _____
 Дата продажи «__» ____ 20__ г.
 (Заполняется продавцом)

М.П.

КАРТА ГАРАНТИЙНОГО РЕМОНТА __
 Дата приема в ремонт __ ____ 20__ г.
 Заявка на ремонт _____
 Заказчик _____
 Телефон(адрес) _____
 Причина обращения _____
 Дата получения из ремонта __ ____ 20__ г.
 Инструмент проверен в моем присутствии _____
 (Заказ заполняется в сервисном центре) (подпись)

М.П.

Наименование _____
 Серийный номер _____
 Дата продажи «__» ____ 20__ г.
 Дата получения из ремонта «__» ____ 20__ г.



Наименование _____
 Серийный номер _____
 Дата продажи «__» ____ 20__ г.
 (Заполняется продавцом)

М.П.

КАРТА ГАРАНТИЙНОГО РЕМОНТА __
 Дата приема в ремонт __ ____ 20__ г.
 Заявка на ремонт _____
 Заказчик _____
 Телефон(адрес) _____
 Причина обращения _____
 Дата получения из ремонта __ ____ 20__ г.
 Инструмент проверен в моем присутствии _____
 (Заказ заполняется в сервисном центре) (подпись)

М.П.

Наименование _____
 Серийный номер _____
 Дата продажи «__» ____ 20__ г.
 Дата получения из ремонта «__» ____ 20__ г.



Наименование _____
 Серийный номер _____
 Дата продажи «__» ____ 20__ г.
 (Заполняется продавцом)

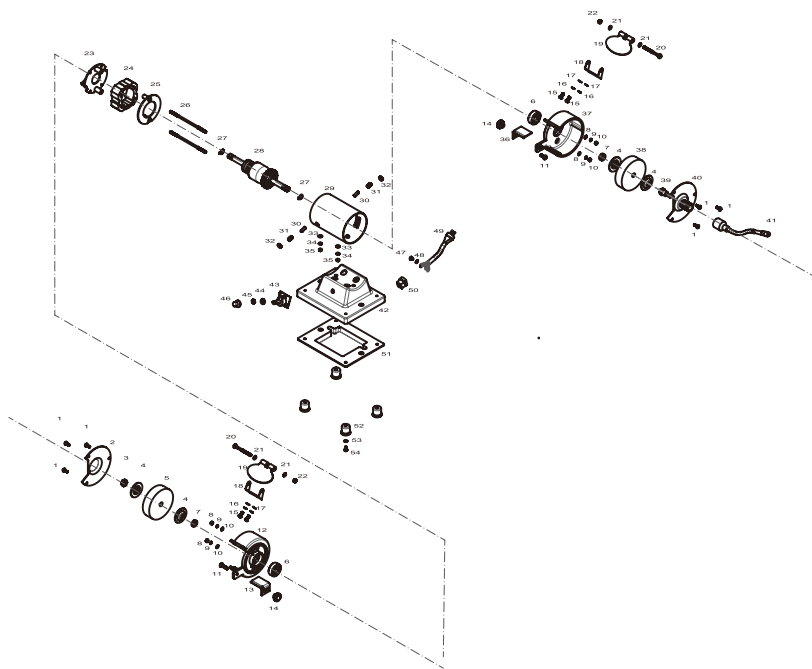
М.П.

КАРТА ГАРАНТИЙНОГО РЕМОНТА __
 Дата приема в ремонт __ ____ 20__ г.
 Заявка на ремонт _____
 Заказчик _____
 Телефон(адрес) _____
 Причина обращения _____
 Дата получения из ремонта __ ____ 20__ г.
 Инструмент проверен в моем присутствии _____
 (Заказ заполняется в сервисном центре) (подпись)

М.П.

P.I.T. WARRANTY SHEET / ГАРАНТИЙНЫЙ ТАЛОН P.I.T.

PBG125-C1, PBG150-C1, PBG200-C1





Поставщик: Китай Xinjiang Longbo Industrial Co., Ltd.
Адрес производства: Rm. 602, 6th Floor, No. 531, Weixing Road, Economic And Technological Development Zone, Urumqi, Xinjiang, China
Уполномоченный представитель: ООО "Турбо-Тулс"
Юридический адрес: 614012, Пермский КРАЙ, г. Пермь, ул. Норильская, д. 8

Сделано в КНР/Made in China

