

A4D300-AA02-01

AC axial fan

straight blades (A series)



ebm-papst Mulfingen GmbH & Co. KG

Bachmühle 2

74673 Mulfingen

Phone: +49 7938 81-0

Fax: +49 7938 81-110

www.ebmpapst.com

info1@de.ebmpapst.com

Nominal data

Type	A4D300-AA02-01				
Motor	M4D068-DF				
Phase		3~	3~	3~	3~
Nominal voltage	[V]	230	230	400	400
Connection		D	D	Y	Y
Frequency	[Hz]	50	60	50	60
Type of data definition		rfa	rfa	rfa	rfa
Valid for approval / standard		CE	CE	CE	CE
Speed	[min ⁻¹]	1370	1520	1370	1520
Power input	[W]	85	110	85	110
Current draw	[A]	0.36	0.38	0.21	0.22
Max. back pressure	[Pa]	100	110	100	110
Max. ambient temperature	[°C]	55	40	55	40

ml = max. load · me = max. efficiency · rfa = running at free air · cs = customer specs · cu = customer unit
Subject to alterations

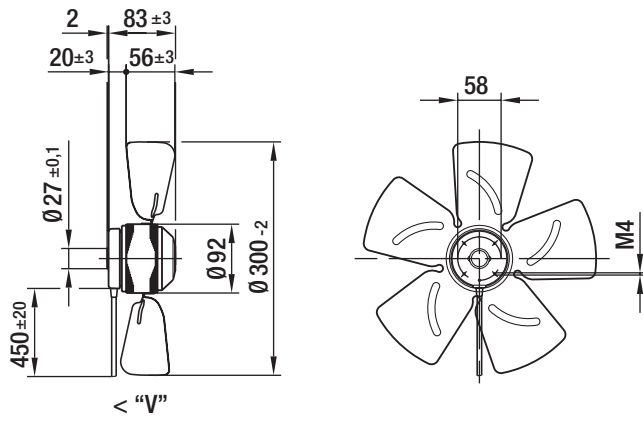
AC axial fan

straight blades (A series)

Technical features

Leakage current	< 0,75 mA
Size	300 mm
Operation mode	Continuous operation (S1)
Direction of rotation	Counter-clockwise, seen on rotor
Humidity class	F1-2
Direction of air flow	"V"
Insulation class	"B"
Cable exit	Lateral
Bearing motor	Ball bearing
Mass	2.3 kg
Material of impeller	Sheet steel, coated in black
Number of blades	5
Type of protection	IP 44
Protection class	I
Approval	CCC

Product drawing

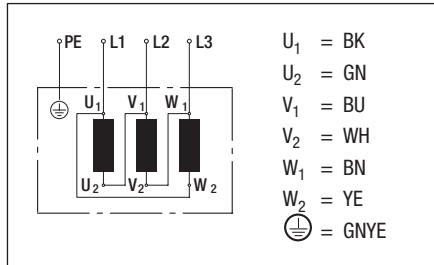


AC axial fan

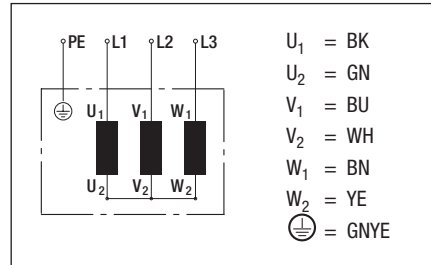
straight blades (A series)

Connection screen

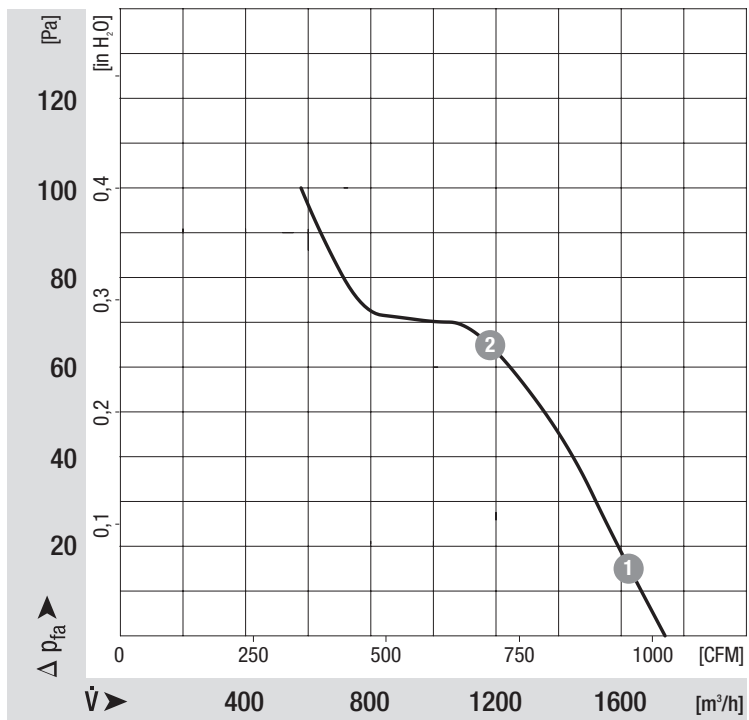
Delta (3~ 230 VAC)



Star (3~ 400 VAC)



Charts: Air flow 50 Hz



Measured values

	n	P ₁	I
	[min ⁻¹]	[W]	[A]
1	1360	86	0.21
2	1345	94	0.22

Charts: Air flow 60 Hz

