

# AC axial fan

straight blades (A series)



## ebm-papst Mulfingen GmbH & Co. KG

Bachmühle 2  
74673 Mulfingen  
Phone: +49 7938 81-0  
Fax: +49 7938 81-110  
www.ebmpapst.com  
info1@de.ebmpapst.com

### Nominal data

Type	A4D315-AC20-01						
Motor	M4D068-EC						
Phase		3~	3~	3~	3~	3~	3~
Nominal voltage	[V]	230	230	230	400	400	400
Connection		D	D	D	Y	Y	Y
Frequency	[Hz]	50	60	60	50	60	60
Type of data definition		rfa	rfa	rfa	rfa	rfa	rfa
Valid for approval / standard		CE	CE	UL	CE	CE	UL
Speed	[min <sup>-1</sup> ]	1400	1590	1590	1400	1590	1590
Power input	[W]	78	115	120	78	115	115
Current draw	[A]	0.33	0.37	0.37	0.19	0.21	0.21
Max. back pressure	[Pa]	150	150	150	150	150	150
Max. ambient temperature	[°C]	80	60	60	80	60	60

ml = max. load · me = max. efficiency · rfa = running at free air · cs = customer specs · cu = customer unit  
Subject to alterations

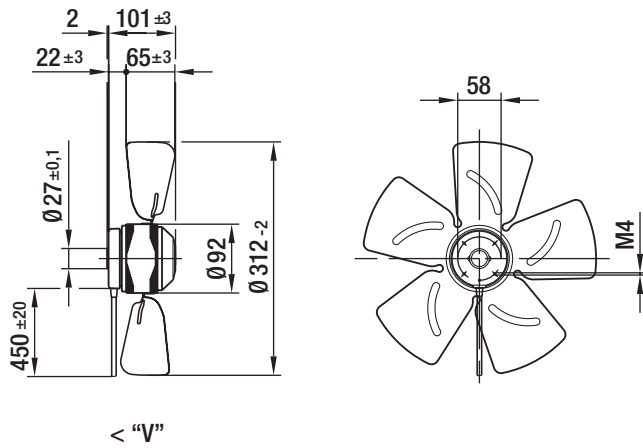
# AC axial fan

straight blades (A series)

## Technical features

Leakage current	< 0,75 mA
Size	315 mm
Operation mode	Continuous operation (S1)
Direction of rotation	Counter-clockwise, seen on rotor
Humidity class	F1-2
Direction of air flow	"V"
Insulation class	"B"
Cable exit	Lateral
Bearing motor	Ball bearing
Mass	2.8 kg
Material of impeller	Sheet steel, coated in black
Number of blades	5
Type of protection	IP 44
Protection class	I
Approval	CCC

## Product drawing

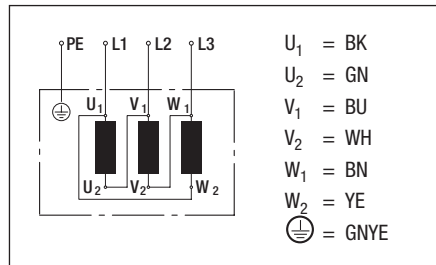


# AC axial fan

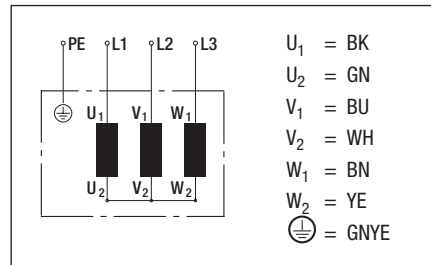
straight blades (A series)

## Connection screen

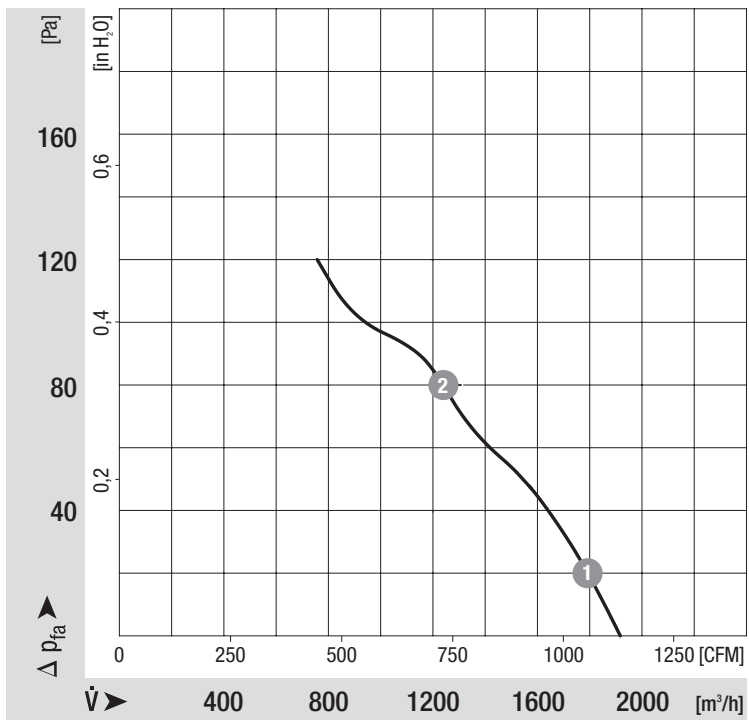
Delta (3~ 230 VAC)



Star (3~ 400 VAC)



## Charts: Air flow 50 Hz



## Measured values

	n	P <sub>1</sub>	I
	[min <sup>-1</sup> ]	[W]	[A]
1	1390	82	0.19
2	1370	95	0.20

Charts: Air flow 60 Hz

