

K-No.: 23188

Signal -Transformer

Date: 30.01.2012

Customer: Standard Type

Customer part No.:

Page 1 of 3

Mechanical outline (Inches / mm)

General tolerances DIN ISO 2768-c

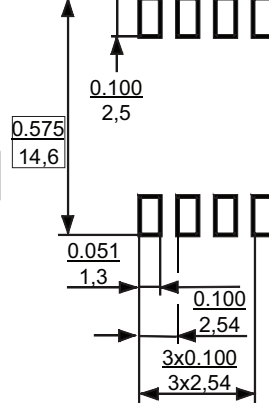
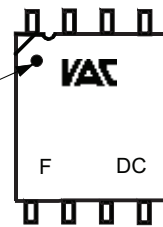
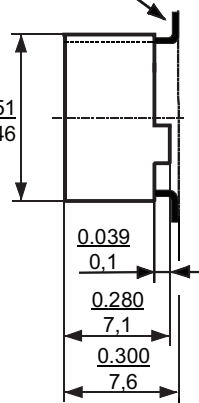
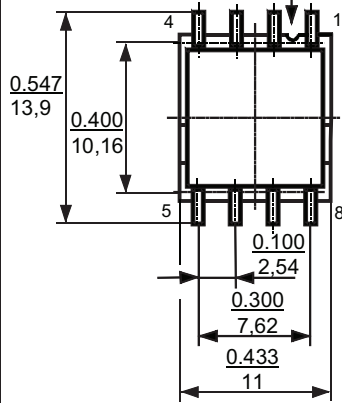
Tolerances grid distance $\pm 0,008$
 $\pm 0,2$

marking pin 1

$0,024 \times 0,016$
 $0,6 \times 0,4$

DC=Date Code
F=Factory

Example for pad position



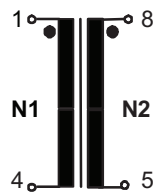
Connections:

Not connected pins
2,3,6,7

Marking:

VAC
5024X044
F DC

Schematic diagram:



Turns ratio = 1 : 1

Operational data/characteristic data (nominal values):

$f = 10 \text{ kHz} \dots 1 \text{ MHz}$

$m = 1,88 \text{ g}$

$R_{Cu1} \leq 200 \text{ m}\Omega$;

$R_{Cu2} \leq 200 \text{ m}\Omega$

$L_{S1-2} \leq 0,30 \mu\text{H}$;

$C_{K1-2} \leq 25 \text{ pF}$

Operating temperature: $-40 \text{ }^\circ\text{C} \dots +85 \text{ }^\circ\text{C}$

Storage temperature: $-40 \text{ }^\circ\text{C} \dots +85 \text{ }^\circ\text{C}$

Inspection: (V: 100%-Test; AQL....: DIN ISO 2859-Part1)

- | | | |
|---------------|----------|--|
| 1) (V) | M3014: | $U_{p,r.m.s.} = 5,5 \text{ kV}, 2\text{s}, N1 \text{ vs } N2$ |
| 2) (AQL 0,25) | M3214: | $L_1 \geq 0,75 \text{ mH}, f = 10 \text{ kHz}, U_{AC,r.m.s.} = 100 \text{ mV}, I_{DC} = 30 \text{ mA}$ |
| 3) (V) | M3011/6: | Polarity / Turns ratio: Tolerance $\pm 2\%$ |
| 4) (AQL 0,25) | M3011/1: | $L_1 = 1,40 \text{ mH} \pm 30\%, f = 10 \text{ kHz}, U_{AC,r.m.s.} = 100 \text{ mV}$ |
| 5) (Fix 05) | M3291: | Solderability acc. to chapter 1 |
| 6) (AQL 1/S4) | M3200 | Mechanical test |

See page 2

Applicable documents: Housing material, casting resin and wire UL-listed

Date	Name	Index	Changes
30.01.12	Bs	89	Revised acc to EN 60950. Inspection 1) changed from 6kV to 5,5kV. Type test: M3064 cancelled. M3292 added. CN-193

Editor.: KB-E	Designer: Bs.	KB-PM: Ert. check	Released.: HS
---------------	---------------	-------------------	---------------

K-No.: 23188

Signal -Transformer

Date: 30.01.2012

Customer: Standard Type

Customer part No.:

Page 2 of 3

Type test:

1) High voltage test according to M3014

$U_{p,r.m.s.} = 6 \text{ kV}$, 1 min, N1 vs N2

2) M3292: Lötwärmebeständigkeit nach Abschnitt 2
Resistance to soldering heat acc. to chapter 2

Measurements after temperature balance of the test samples at room temperature

Applicable documents:

Designed, manufactured and tested in accordance with EN 60950-1 and complies with the standards.

Parameters: Reinforced insulation: N1 – N2

Working voltage $U_{r.m.s.} = 250 \text{ V}$

Overvoltage category: 3

Material group: 3

Pollution degree: 2

Housing material, casting resin and wire UL - listed

Packing: Packing according to M3510

Packing: Drypack / MSL according VAC M3027

Editor.: KB-E

Designer: Bs.

KB-PM: Ert.
check

Released.: HS

K-No.: 23188

Signal -Transformer

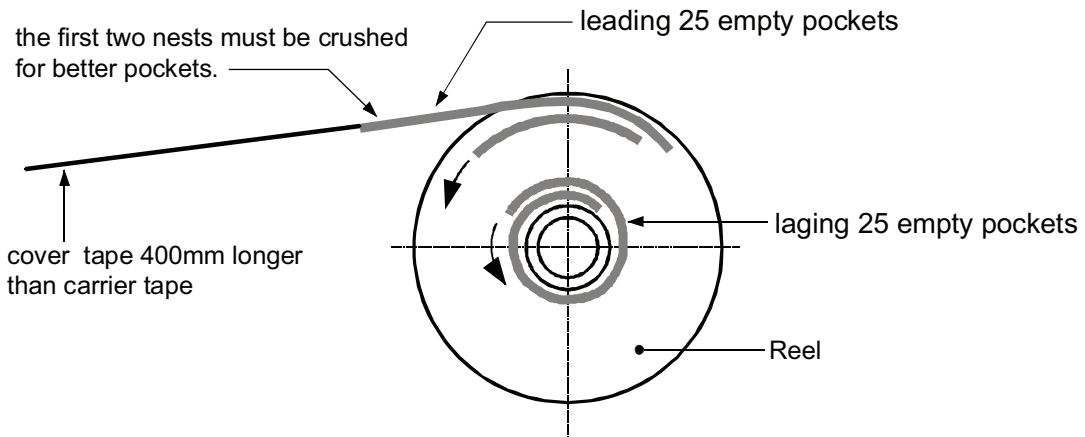
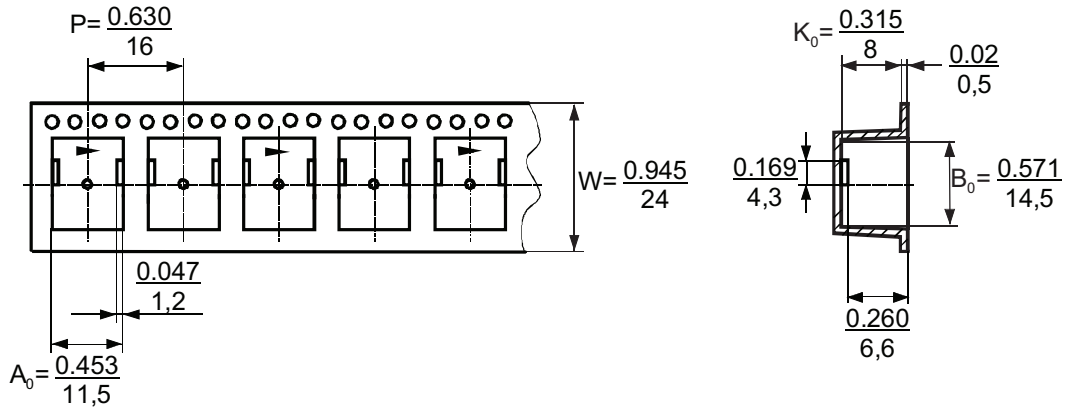
Date: 30.01.2012

Customer: Standard Type

Customer part No.:

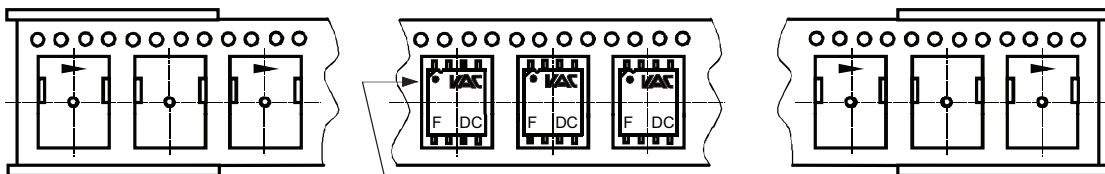
Page 3 of 3

Packing information



laging:>25 empty pockets

leading:>25 empty pockets



Orientation of Pin 1 in carrier tape

Insertion of components according orientation 3 shown in M-sheet 3510

Quantities in packing: 450 pieces/tape (packing carton)
5 tapes reel/carton (outside)=2250 pieces /carton(outside)

Editor.: KB-E

Designer: Bs.

KB-PM: Ert.
check

Released.: HS