

A2D300-AD02-01

AC axial fan

straight blades (A series)



Nominal data

Type	A2D300-AD02-01				
Motor	M2D068-EC				
Phase		3~	3~	3~	3~
Nominal voltage	[V]	230	230	400	400
Connection		D	D	Y	Y
Frequency	[Hz]	50	60	50	60
Type of data definition		rfa	rfa	rfa	rfa
Valid for approval / standard		CE	CE	CE	CE
Speed	[min ⁻¹]	2650	2800	2650	2800
Power input	[W]	180	270	180	270
Current draw	[A]	0.54	0.71	0.31	0.41
Max. back pressure	[Pa]	150	100	150	100
Max. ambient temperature	[°C]	60	35	60	35

ml = max. load · me = max. efficiency · rfa = running at free air · cs = customer specs · cu = customer unit
Subject to alterations

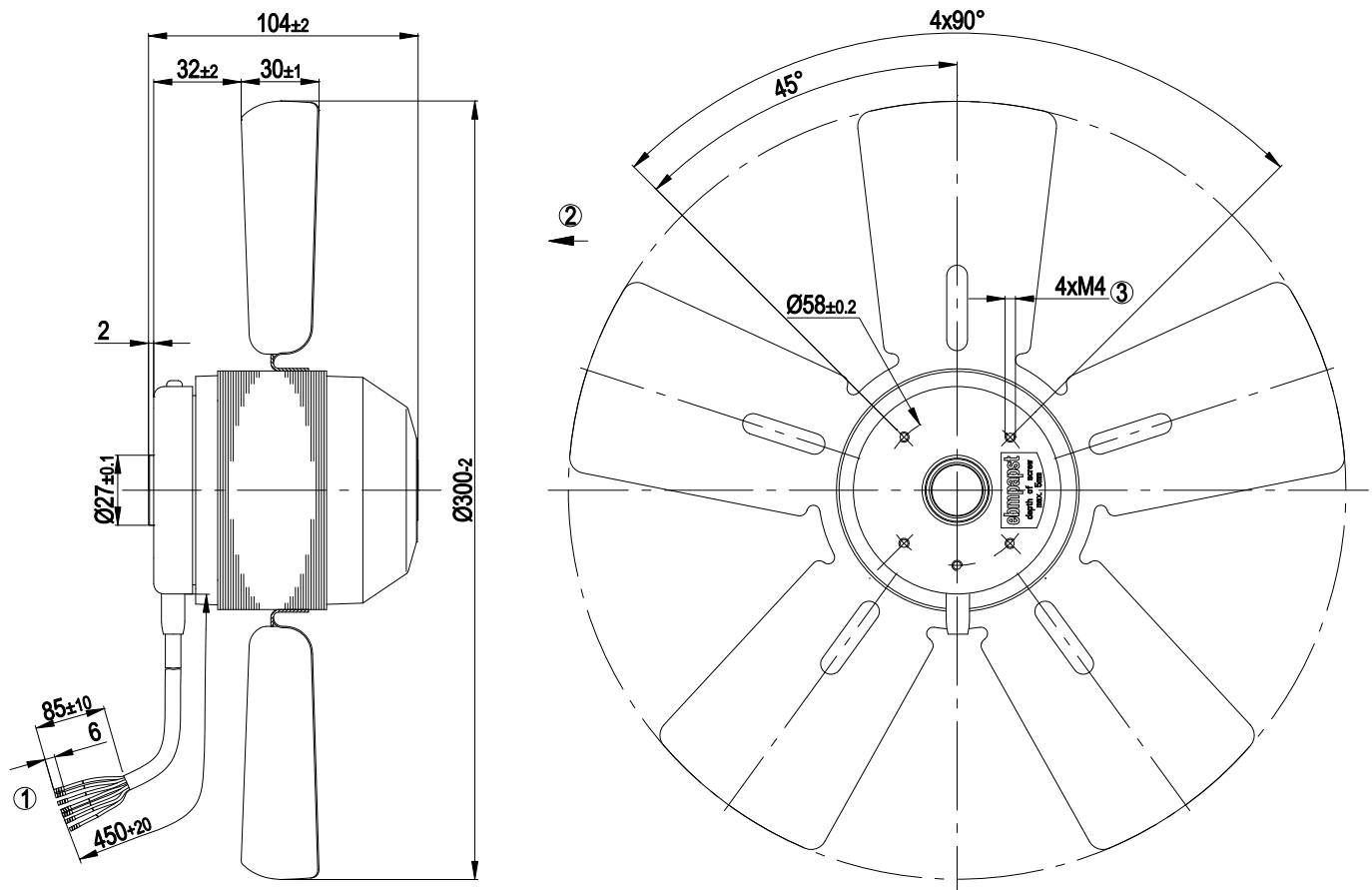
Technical features

Leakage current	< 0.75 mA
Size	300 mm
Operation mode	S1
Direction of rotation	Counter-clockwise, seen on rotor
Mounting position	Shaft horizontal or rotor on bottom; rotor on top on request
Humidity class	F1-2
Direction of air flow	"V"
Insulation class	"B"
Cable exit	Lateral
Condensate discharge holes	Rotor-side
Bearing motor	Ball bearing
Mass	2.7 kg
Material of impeller	Sheet steel, coated in black
Product conforming to standard	EN 60335-1
Surface of rotor	Coated in black
Number of blades	5
Type of protection	IP 44; Depending on installation and position as per EN 60034-5
Protection class	I
Max. permissible ambient motor temp. (transp./ storage)	+ 80 °C
Min. permissible ambient motor temp. (transp./storage)	- 40 °C
Approval	CCC; GOST

AC axial fan

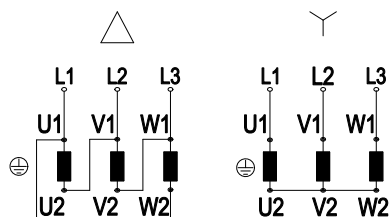
straight blades (A series)

Product drawing



1	Connection line PVC7G 0.5mm ² , 7x brass lead tips crimped
2	Direction of air flow "V"
3	Depth of screw max. 5 mm

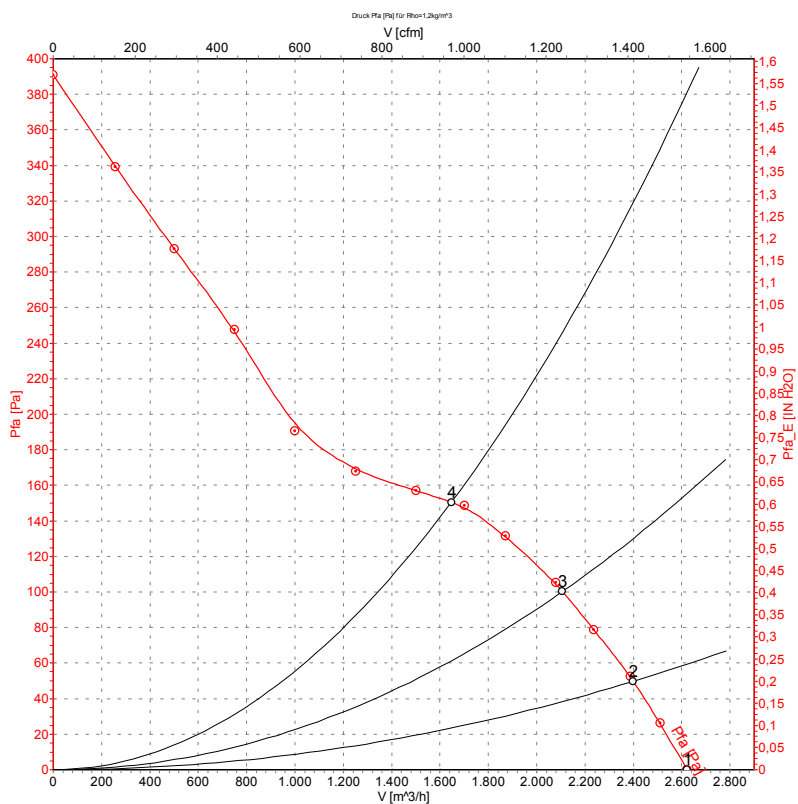
Connection screen



Note: Direction of rotation changes when two phases are reversed

Δ	Delta connection	Y	Star connection	L1	black
L2	blue	L3	brown	U1	black
V1	blue	W1	brown	U2	green
V2	white	W2	yellow		

Charts: Air flow 50 Hz

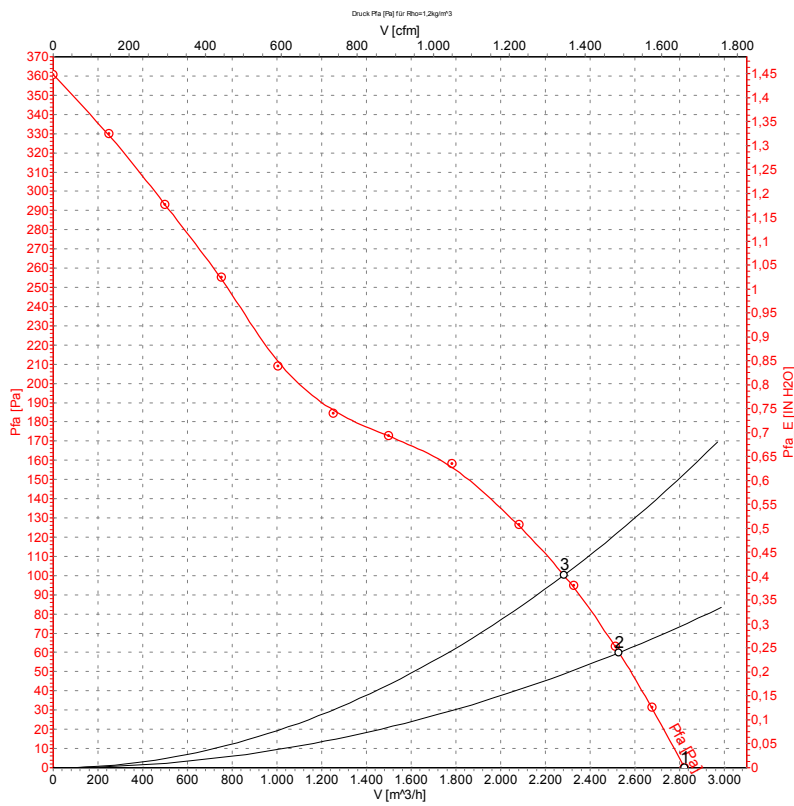


Measurement: LU-64793

Measured values

	U	f	n	P ₁	I	\hat{V}	P _{fa}
	[V]	[Hz]	[min ⁻¹]	[W]	[A]	[m³/h]	[Pa]
1	400	50	2650	170	0.29	2620	0
2	400	50	2595	182	0.31	2400	50
3	400	50	2555	195	0.32	2105	100
4	400	50	2525	205	0.34	1650	150

Charts: Air flow 60 Hz



Measurement: LU-64794

Measured values

	U	f	n	P ₁	I	\hat{V}	P _{fa}
	[V]	[Hz]	[min ⁻¹]	[W]	[A]	[m ³ /h]	[Pa]
1	400	60	2840	250	0.39	2825	0
2	400	60	2755	266	0.42	2530	60
3	400	60	2700	278	0.43	2285	100