

PMCU-XXXX EMI/RFI COMMON MODE LINE FILTERS

LOW PROFILE-HORZ

- ① Rated Voltage: 250Vac, 45/400Hz
- ② $\leq 30^{\circ}\text{C}$ Temp Rise & Rated Current ⁽¹⁾
- ③ Operating Temp -40 to +80 °C
- ④ Low Profile Horizontal Construction
- ⑤ 3750Vrms Isolation
- ⑥ Insulation Resistance @ 500Vdc >100M Ω

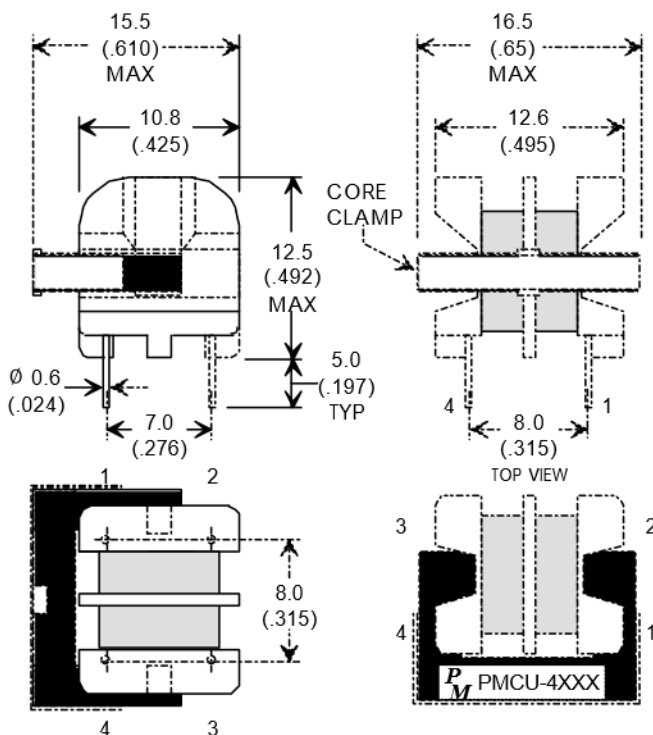
ELECTRICAL SPECIFICATIONS AT 25°C - OPERATING TEMPERATURE RANGE -40°C TO +80°C

PART NUMBER	RATED RMS Current mA _{RMS}	Load VA @ RMS Line		INDUCTANCE @ 1KHz (mH Min.)	DCR EACH WINDING (Ohms Max.)	PACKAGE
		115V	230V			
PMCU-4470	150	17.25	34.50	47.0	6.90	U9.8
PMCU-4330	200	23.00	46.00	33.0	5.50	U9.8
PMCU-4220	250	28.75	57.50	22.0	3.70	U9.8
PMCU-4100	350	40.25	80.50	10.0	1.40	U9.8
PMCU-4056	450	51.75	103.50	5.6	0.75	U9.8
PMCU-4033	600	69.00	138.00	3.3	0.50	U9.8
PMCU-4015	800	92.00	184.00	1.5	0.30	U9.8
PMCU-4009	1000	115.00	230.00	0.9	0.16	U9.8
PMCU-4005	1500	172.50	345.00	0.5	0.12	U9.8
PMCU-4002	2000	230.00	460.00	0.2	0.06	U9.8
PMCU-4001	3000	345.00	690.00	0.1	0.03	U9.8

Notes:

- (1) Temperature Rise is specified at maximum continuous current. Lower currents will result in reduced temperature rise. Design point is $\leq 30^{\circ}\text{C}$ rise at rated current.

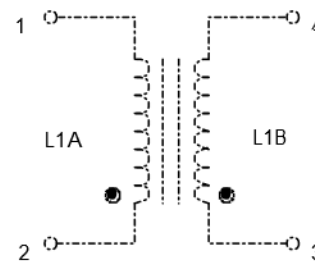
DIMENSIONS mm (IN)



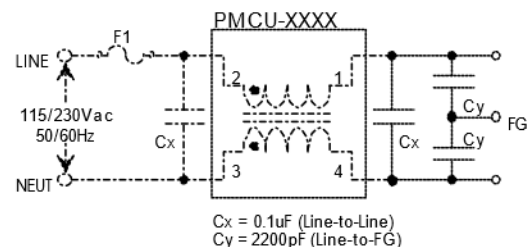
SCHEMATIC

PART IS REVERSIBLE.
IT CAN BE INSERTED INTO PCB EITHER WAY.

DOT ON BOBBIN
DENOTES PIN #1



TYPICAL APPLICATION CIRCUIT



Specifications subject to change without notice.

pmcu 09/01

PMCU-XXXX EMI/RFI COMMON MODE LINE FILTERS

LOW PROFILE-VERT

- ① Rated Voltage: 250Vac, 45/400Hz
- ② $\leq 30^{\circ}\text{C}$ Temp Rise & Rated Current ⁽¹⁾
- ③ Operating Temp -40 to +80 °C
- ④ Low Profile Vertical Construction
- ⑤ 3750Vrms Isolation
- ⑥ Insulation Resistance @ 500Vdc >100M Ω

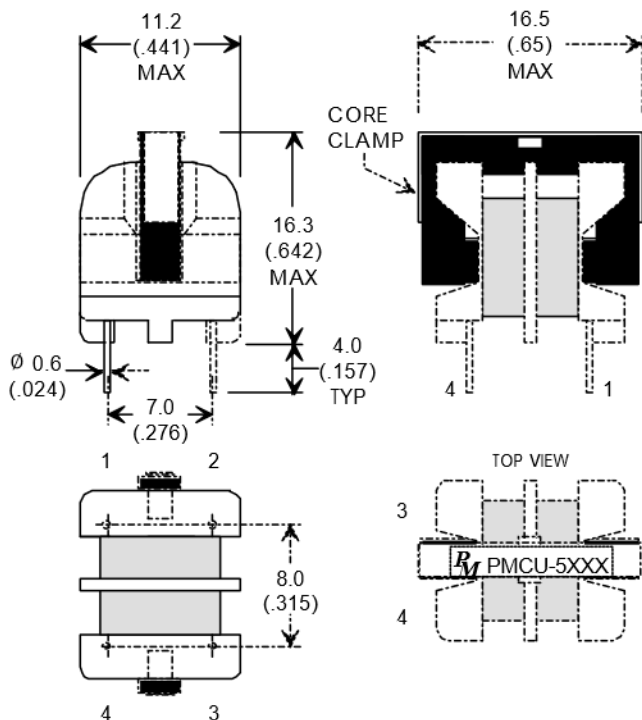
ELECTRICAL SPECIFICATIONS AT 25°C - OPERATING TEMPERATURE RANGE -40°C TO +80°C

PART NUMBER	RATED RMS Current mA rms	Load VA @ RMS Line		INDUCTANCE @ 1KHz (mH Min.)	DCR EACH WINDING (Ohms Max.)	PACKAGE
		115V	230V			
PMCU-5470	150	17.25	34.50	47.0	6.90	U9.8
PMCU-5330	200	23.00	46.00	33.0	4.95	U9.8
PMCU-5220	250	28.75	57.50	22.0	3.70	U9.8
PMCU-5100	350	40.25	80.50	10.0	1.40	U9.8
PMCU-5056	450	51.75	103.50	5.6	0.75	U9.8
PMCU-5033	600	69.00	138.00	3.3	0.50	U9.8
PMCU-5015	800	92.00	184.00	1.5	0.30	U9.8
PMCU-5009	1000	115.00	230.00	0.9	0.16	U9.8
PMCU-5005	1500	172.50	345.00	0.5	0.12	U9.8
PMCU-5002	2000	230.00	460.00	0.2	0.06	U9.8
PMCU-5001	3000	345.00	690.00	0.1	0.03	U9.8

Notes:

- (1) Temperature Rise is specified at maximum continuous current. Lower currents will result in reduced temperature rise. Design point is $\leq 30^{\circ}\text{C}$ rise at rated current.

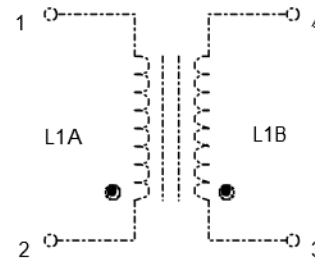
DIMENSIONS mm (IN)



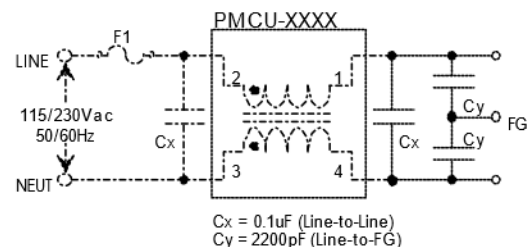
SCHEMATIC

PART IS REVERSIBLE.
IT CAN BE INSERTED INTO PCB EITHER WAY.

DOT ON BOBBIN
DENOTES PIN #1



TYPICAL APPLICATION CIRCUIT



Specifications subject to change without notice.

pmcu 12/98

PMCU-XXXX EMI/RFI COMMON MODE LINE FILTERS

MEDIUM POWER

- ① Rated Voltage: 250Vac, 45/400Hz
- ② $\leq 50^{\circ}\text{C}$ Temp Rise & Rated Current ⁽¹⁾
- ③ Operating Temp -40 to +80 °C
- ④ Low Profile Construction
- ⑤ 3750Vrms Isolation
- ⑥ Insulation Resistance @ 500Vdc >100M Ω

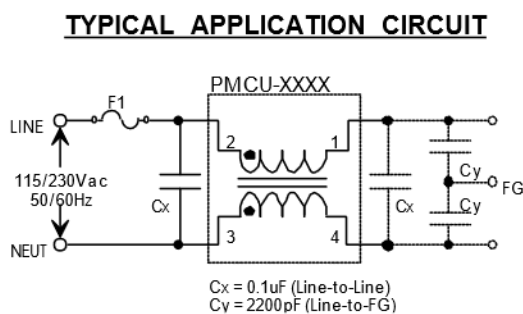
ELECTRICAL SPECIFICATIONS AT 25°C - OPERATING TEMPERATURE RANGE -40°C TO +80°C

PART NUMBER	RATED RMS Current Amps rms	Load VA @ RMS Line		INDUCTANCE @ 1KHz (mH Min.)	DCR EACH WINDING (Ohms Max.)	PACKAGE
		115V	230V			
PMCU-0470	0.35	40.25	80.50	47.0	2.40	U10.5
PMCU-0330	0.40	46.00	92.00	33.0	2.00	U10.5
PMCU-0220	0.50	57.50	115.00	22.0	1.20	U10.5
PMCU-0100	0.65	74.75	149.50	10.0	0.75	U10.5
PMCU-0056	1.00	115.00	230.00	5.6	0.40	U10.5
PMCU-0033	1.20	138.00	276.00	3.3	0.25	U10.5
PMCU-0015	1.80	207.00	414.00	1.5	0.11	U10.5
PMCU-2470	0.50	57.50	115.00	47.0	1.35	U16
PMCU-2330	0.60	69.00	138.00	33.0	1.00	U16
PMCU-2220	0.75	86.25	172.50	22.0	0.60	U16
PMCU-2100	1.00	115.00	230.00	10.0	0.34	U16
PMCU-2056	1.40	161.00	322.00	5.6	0.15	U16
PMCU-2033	2.00	230.00	460.00	3.3	0.10	U16
PMCU-2015	2.70	287.50	575.00	1.5	0.04	U16

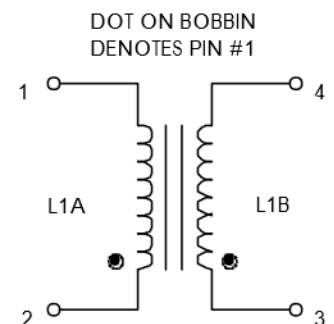
Notes:

- (1) Temperature Rise is specified at maximum continuous current. Lower currents will result in reduced temperature rise. Design point is $\leq 50^{\circ}\text{C}$ rise at rated current.

APPLICATION



SCHEMATIC



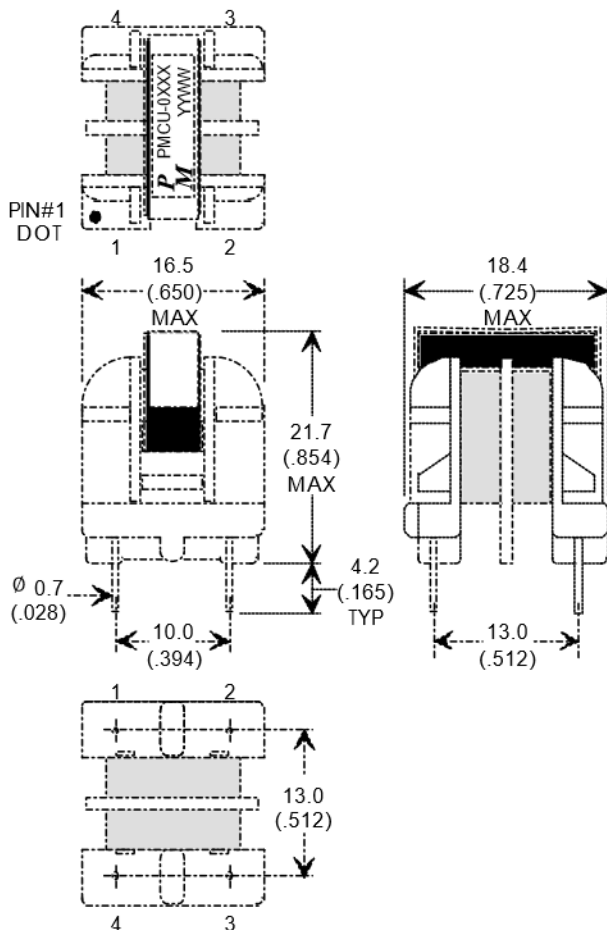
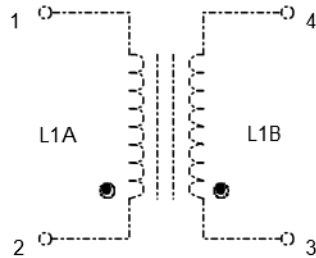
PMCU-XXXX EMI/RFI COMMON MODE LINE FILTERS

PMCU-0XXX U10.5

Dimensions in mm (inches)

PART IS REVERSIBLE.
IT CAN BE INSERTED INTO PCB EITHER WAY.

DOT ON BOBBIN
DENOTES PIN #1

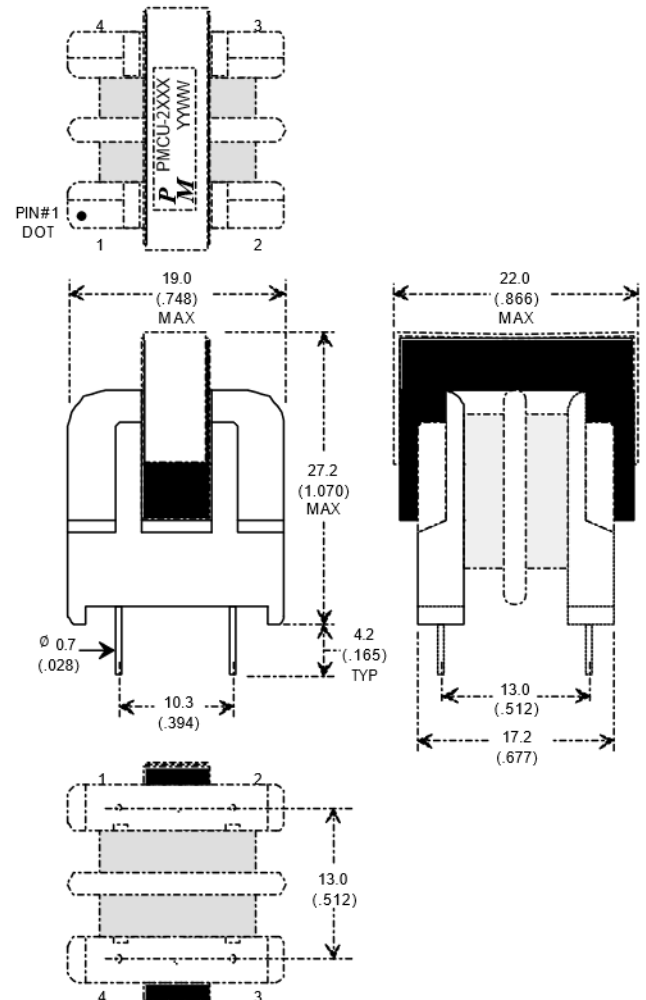
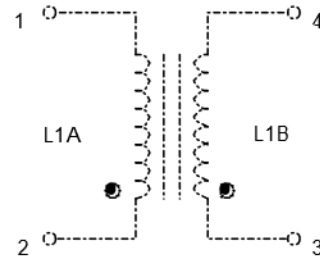


PMCU-2XXX U16

Dimensions in mm (inches)

PART IS REVERSIBLE.
IT CAN BE INSERTED INTO PCB EITHER WAY.

DOT ON BOBBIN
DENOTES PIN #1



Specifications subject to change without notice.

pmcu 12/98

