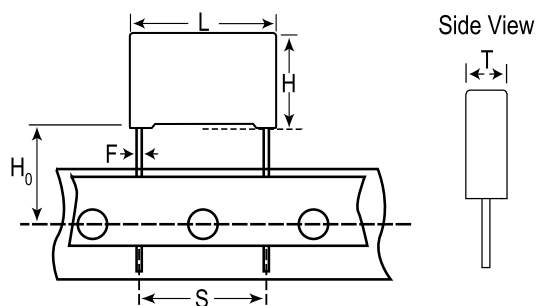


**KEMET Part Number: MMK5334K100J03L16.5TR18**  
(F601JL334K100L, MMK5334K100J03L16,5TR18)

Capacitor, film, 0.33 uF, +/-10% Tol, -55/+100C, General Purpose, 100VDC@85C, Lead Spacing=5 mm, Not for new design. Use series F611-F612



Dimensions (mm)		
Symbol	Dimension	Tolerance
L	7.2	MAX
H	9	MAX
T	4.5	MAX
S	5	+/-0.4
F	0.5	NOM
H0	16.5	NOM

Packaging Specifications	
Package Kind:	T&R
Package Size:	360mm
Package Quantity:	1500

General Information	
Supplier:	KEMET
Brand:	Evox
Miscellaneous Electrical:	Not for new design. Use series F611-F612

Specifications	
Capacitance:	0.33 uF
Rated Temperature:	85C
Voltage @ rated temp:	100VDC
Voltage AC:	63VAC
Tolerance:	+/-10%
Body Type:	Radial Box
Dielectric:	Metallized Polyester
Application:	General Purpose
Temperature Range:	-55/+100C
Dissipation Factor @ 1 kHz:	0.8%
Dissipation Factor @ 10 kHz:	1.2%
Dissipation Factor @ 100kHz:	3%
Insulation Resistance:	15 GOhm
Inductance:	6 nH
Maximum dVdT:	30 v/us