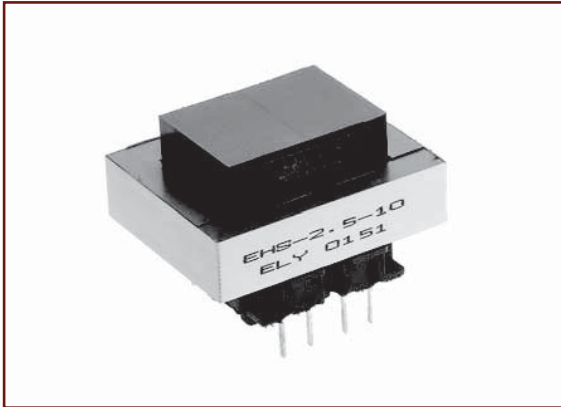


Universal Series Power Transformers

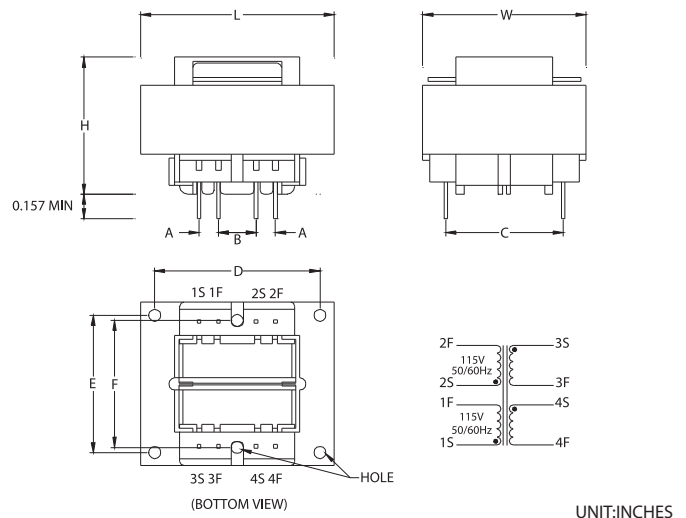
® E189543
E186547



- The EHS series of universal Transformers is designed and built to meet U.S. and international safety standards.
- These transformers are available in both PC and chassis-mount construction.
- With power ratings of 2.5VA to 56VA, these transformers are built on dual-bobbins with insulating shrouds to provide 4000V RMS isolation between primary and secondary.
- The non-concentric construction reduces primary to secondary capacitance.

Part Number	SIZE (VA)	SECONDARY RATING (RMS)	
		SERIES	PARALLEL
EHS - 2.5 - 10	2.5	10V C.T. @ 0.25A	5V @ 0.5A
EHS - 5.0 - 10	5.0	10V C.T. @ 0.5 A	5V @ 1.0A
EHS - 10 - 10	10.0	10V C.T. @ 1.0 A	5V @ 2.0A
EHS - 20 - 10	20.0	10V C.T. @ 2.0 A	5V @ 4.0A
EHS - 30 - 10	30.0	10V C.T. @ 3.0 A	5V @ 6.0A
EHS - 56 - 10	56.0	10V C.T. @ 5.6 A	5V @ 11.2A
EHS - 2.5 - 12	2.5	12.6V C.T. @ 0.2A	6.3V @ 0.4A
EHS - 5.0 - 12	5.0	12.6V C.T. @ 0.4A	6.3V @ 0.8A
EHS - 10 - 12	10.0	12.6V C.T. @ 0.8A	6.3V @ 1.6A
EHS - 20 - 12	20.0	12.6V C.T. @ 1.6A	6.3V @ 3.2A
EHS - 30 - 12	30.0	12.6V C.T. @ 2.4A	6.3V @ 4.8A
EHS - 56 - 12	56.0	12.6V C.T. @ 4.4A	6.3V @ 8.8A
EHS - 2.5 - 16	2.5	16V C.T. @ 0.15A	8V @ 0.3 A
EHS - 5.0 - 16	5.0	16V C.T. @ 0.31A	8V @ 0.62A
EHS - 10 - 16	10.0	16V C.T. @ 0.62A	8V @ 1.25A
EHS - 20 - 16	20.0	16V C.T. @ 1.25A	8V @ 2.5 A
EHS - 30 - 16	30.0	16V C.T. @ 1.9 A	8V @ 3.8 A
EHS - 56 - 16	56.0	16V C.T. @ 3.5 A	8V @ 7.0 A
EHS - 2.5 - 20	2.5	20V C.T. @ 0.12A	10V @ 0.24A
EHS - 5.0 - 20	5.0	20V C.T. @ 0.25A	10V @ 0.5 A
EHS - 10 - 20	10.0	20V C.T. @ 0.5 A	10V @ 1.0 A
EHS - 20 - 20	20.0	20V C.T. @ 1.0 A	10V @ 2.0 A
EHS - 30 - 20	30.0	20V C.T. @ 1.5 A	10V @ 3.0 A
EHS - 56 - 20	56.0	20V C.T. @ 2.8 A	10V @ 5.6 A
EHS - 2.5 - 24	2.5	24V C.T. @ 0.1 A	12V @ 0.2 A
EHS - 5.0 - 24	5.0	24V C.T. @ 0.21A	12V @ 0.42A
EHS - 10 - 24	10.0	24V C.T. @ 0.42A	12V @ 0.84A
EHS - 20 - 24	20.0	24V C.T. @ 0.83A	12V @ 1.66A
EHS - 30 - 24	30.0	24V C.T. @ 1.25A	12V @ 2.5 A
EHS - 56 - 24	56.0	24V C.T. @ 2.33A	12V @ 4.66V
EHS - 2.5 - 28	2.5	28V C.T. @ 0.09A	14V @ 0.18A
EHS - 5.0 - 28	5.0	28V C.T. @ 0.18A	14V @ 0.36A
EHS - 10 - 28	10.0	28V C.T. @ 0.36A	14V @ 0.72A
EHS - 20 - 28	20.0	28V C.T. @ 0.72A	14V @ 1.44A
EHS - 30 - 28	30.0	28V C.T. @ 1.06A	14V @ 2.12A
EHS - 56 - 28	56.0	28V C.T. @ 2.0 A	14V @ 4.0 A
EHS - 2.5 - 36	2.5	36V C.T. @ 0.07A	18V @ 0.14A
EHS - 5.0 - 36	5.0	36V C.T. @ 0.14A	18V @ 0.28A
EHS - 10 - 36	10.0	36V C.T. @ 0.28A	18V @ 0.56A
EHS - 20 - 36	20.0	36V C.T. @ 0.56A	18V @ 1.12A
EHS - 30 - 36	30.0	36V C.T. @ 0.82A	18V @ 1.64A
EHS - 56 - 36	56.0	36V C.T. @ 1.56A	18V @ 3.12A

Mechanical Dimensions:



VA	WT. (lb)	L ±0.04	W ±0.04	H ±0.04	A ±0.012	B ±0.012
2.5	0.25	1.634	1.320	1.125	.200	.250
5.0	0.37	1.634	1.320	1.375	.200	.400
10.0	0.53	1.910	1.600	1.375	.200	.400
20.0	0.90	2.265	1.890	1.625	.400	.400
30.0	1.15	2.625	2.195	1.562	.550	.275
56.0	1.70	3.030	2.520	1.812	.600	.300

VA	C ±0.02	D ±0.04	E ±0.04	F ±0.04	PIN DIM ±0.006	HOLE ±0.02
2.5	1.000	----	----	1.062	.025 SQ	0.126
5.0	1.000	----	----	1.062	.025 SQ	0.126
10.0	1.140	----	----	1.260	.038 SQ	0.126
20.0	1.480	----	----	1.500	.038 SQ	0.150
30.0	1.680	2.20	1.732	----	.045 SQ	0.177
56.0	1.900	2.52	2	----	.045 SQ	0.197