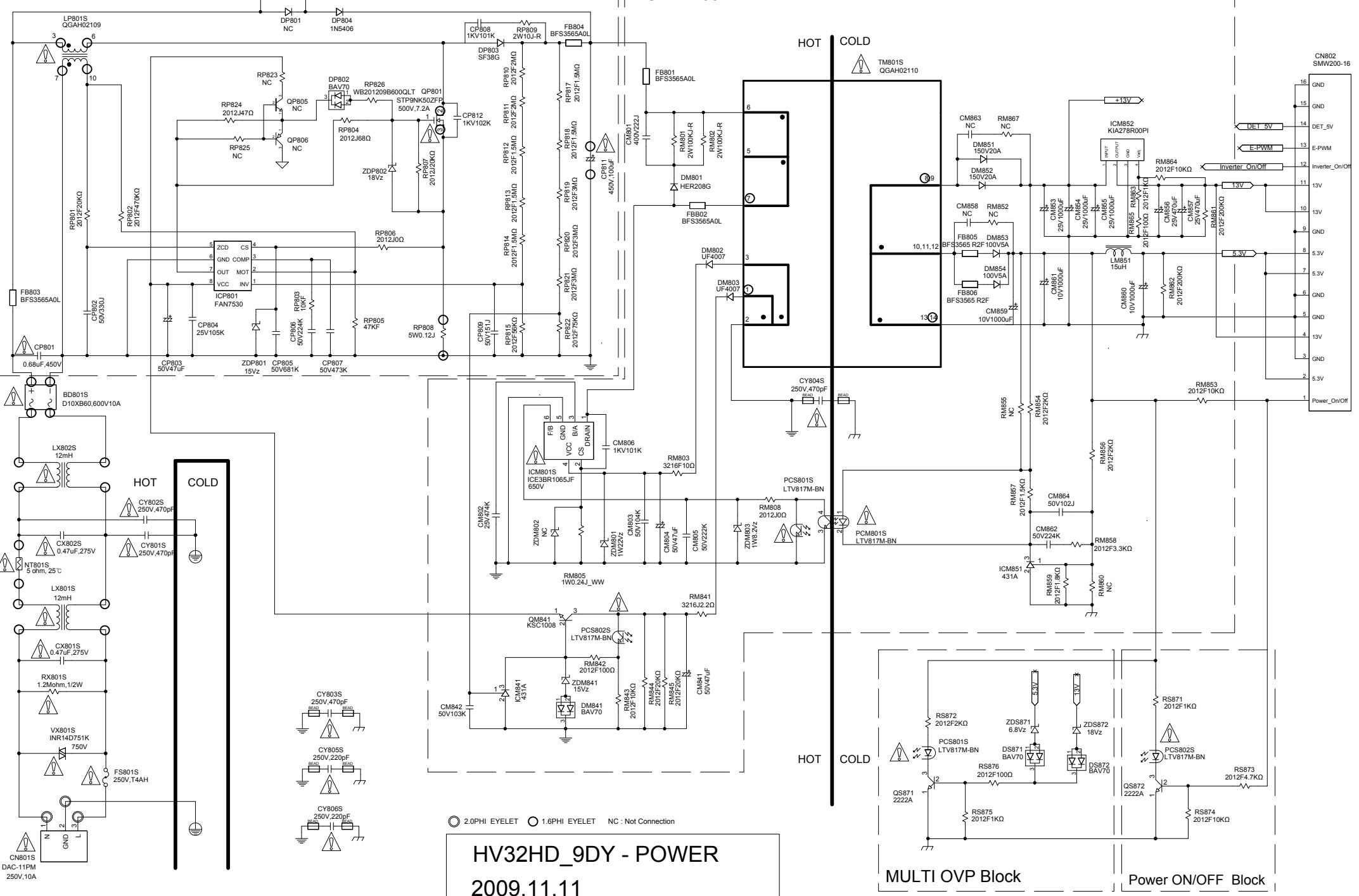


PFC Block

MULTI Block



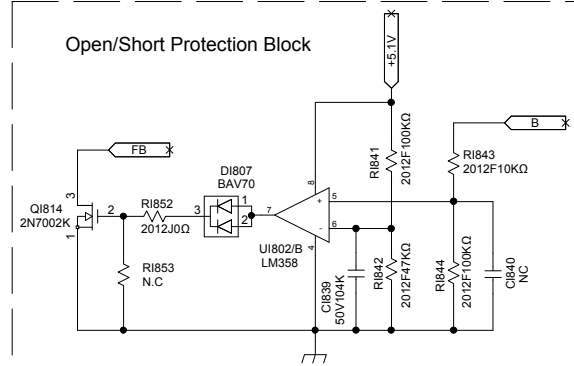
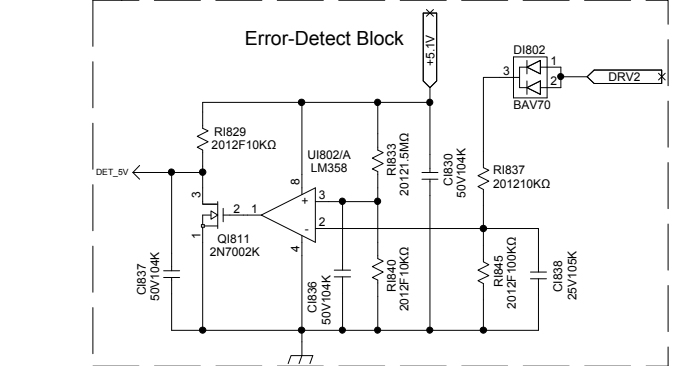
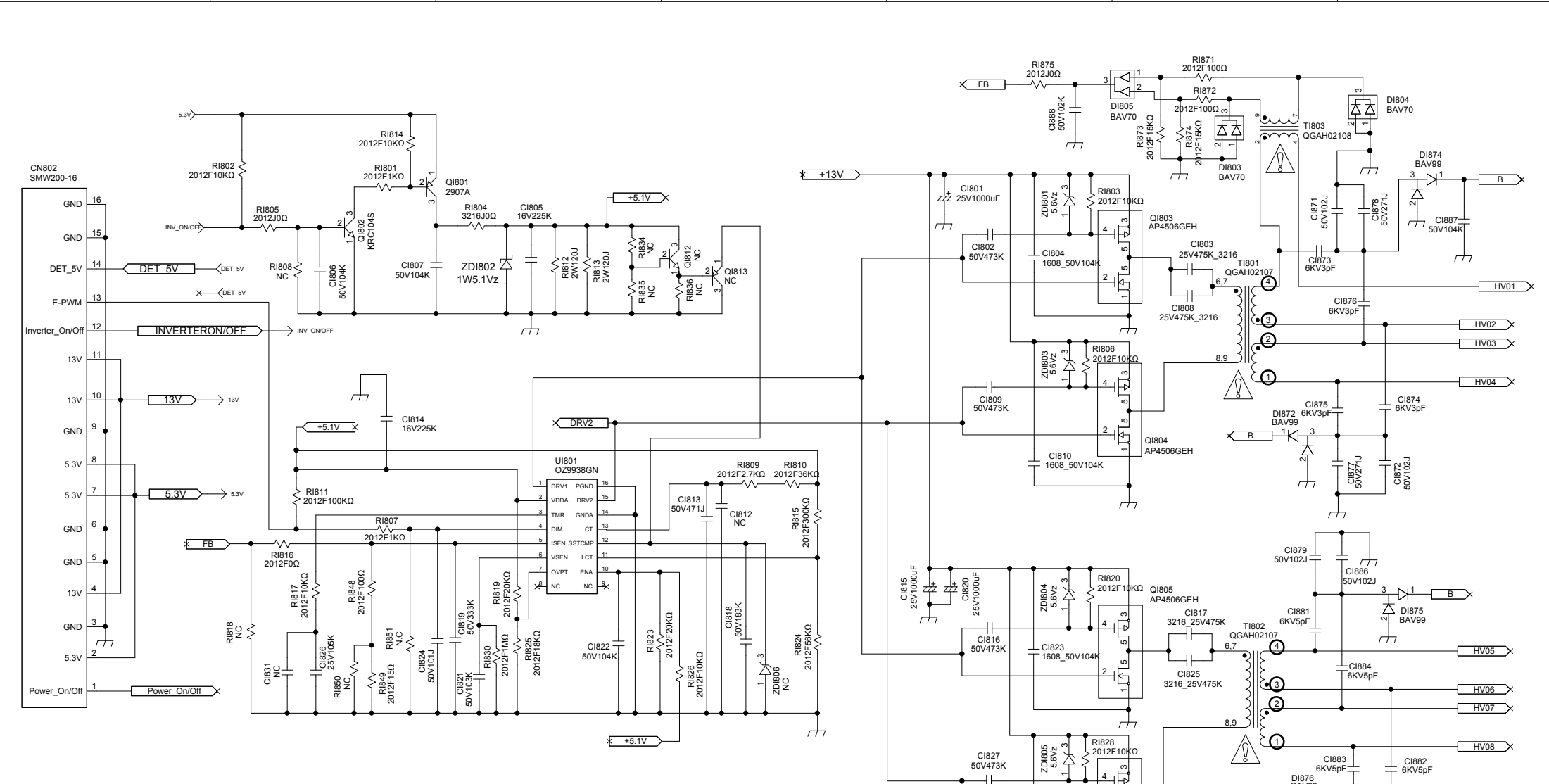
○ 2.0PHI EYELET ○ 1.6PHI EYELET NC : Not Connection

**HV32HD\_9DY - POWER**  
2009.11.11

MULTI OVP Block

Power ON/OFF Block

Title		HV32HD_9DY - POWER		{TITLE}
Size	A3	No.	Rev	R.H
File	FILE	Title	Date	Time



○ 2.0PHI EYELET ○ 1.6PHI EYELET NC : Not Connection

# HV32HD\_9DY - Inverter

2009.11.11

Title		HV32HD_9DY-Inverter		Note {NOTE}	
Size	A3	DOC NO.	{DOCNO}	Revision	R.H
HV32HD_9DY(INVERTER)-091111(R.1.11) 6:24:52 (SHNO)					