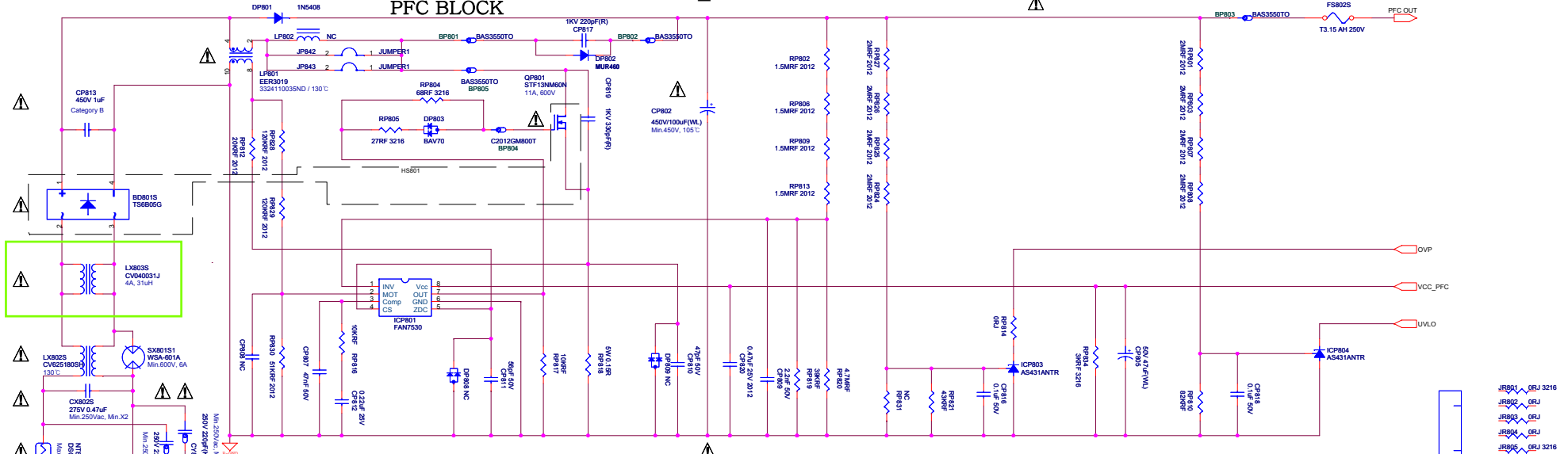


I32HD_AHS 1.1R.B

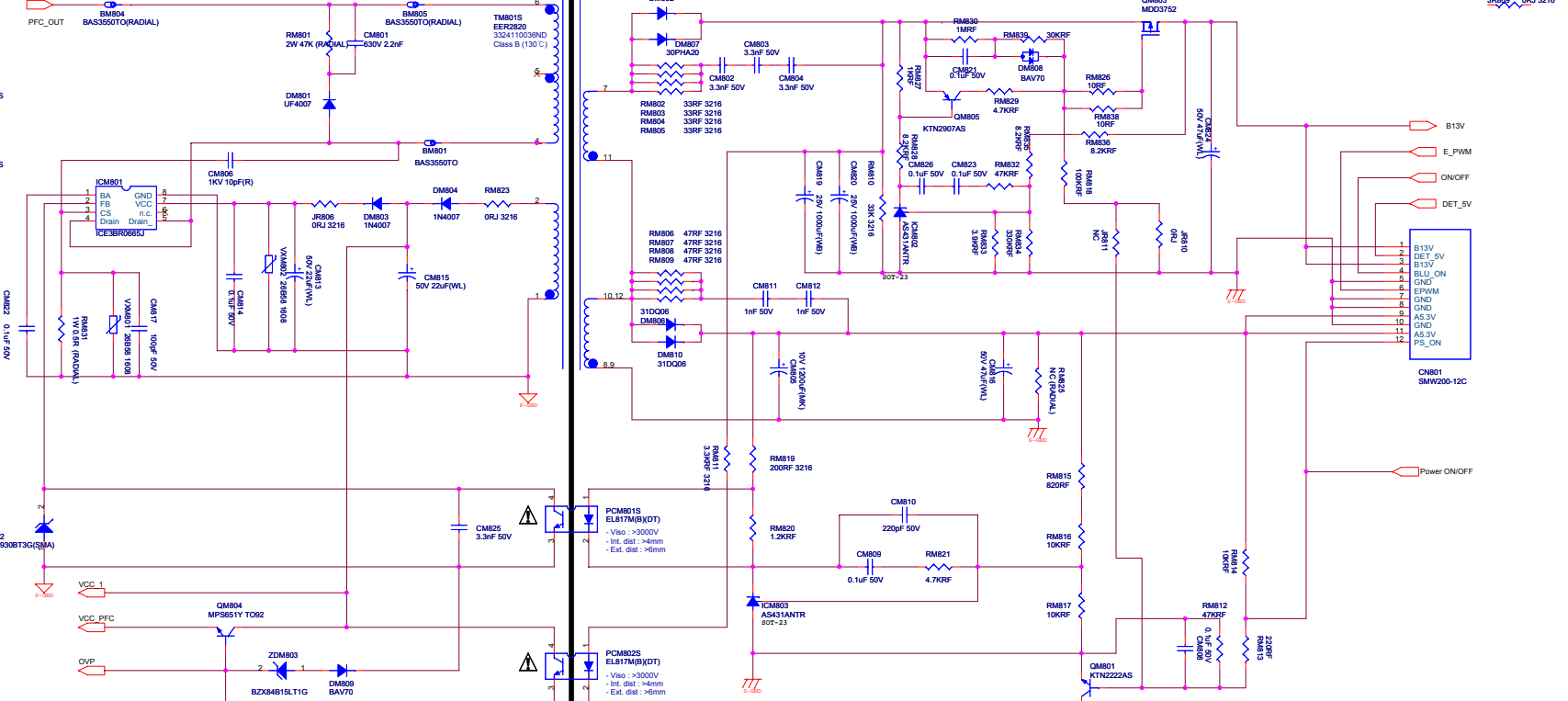
PFC BLOCK



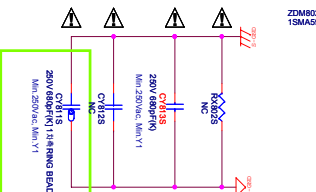
STAND BY & Multi BLOCK

HOT

COLD

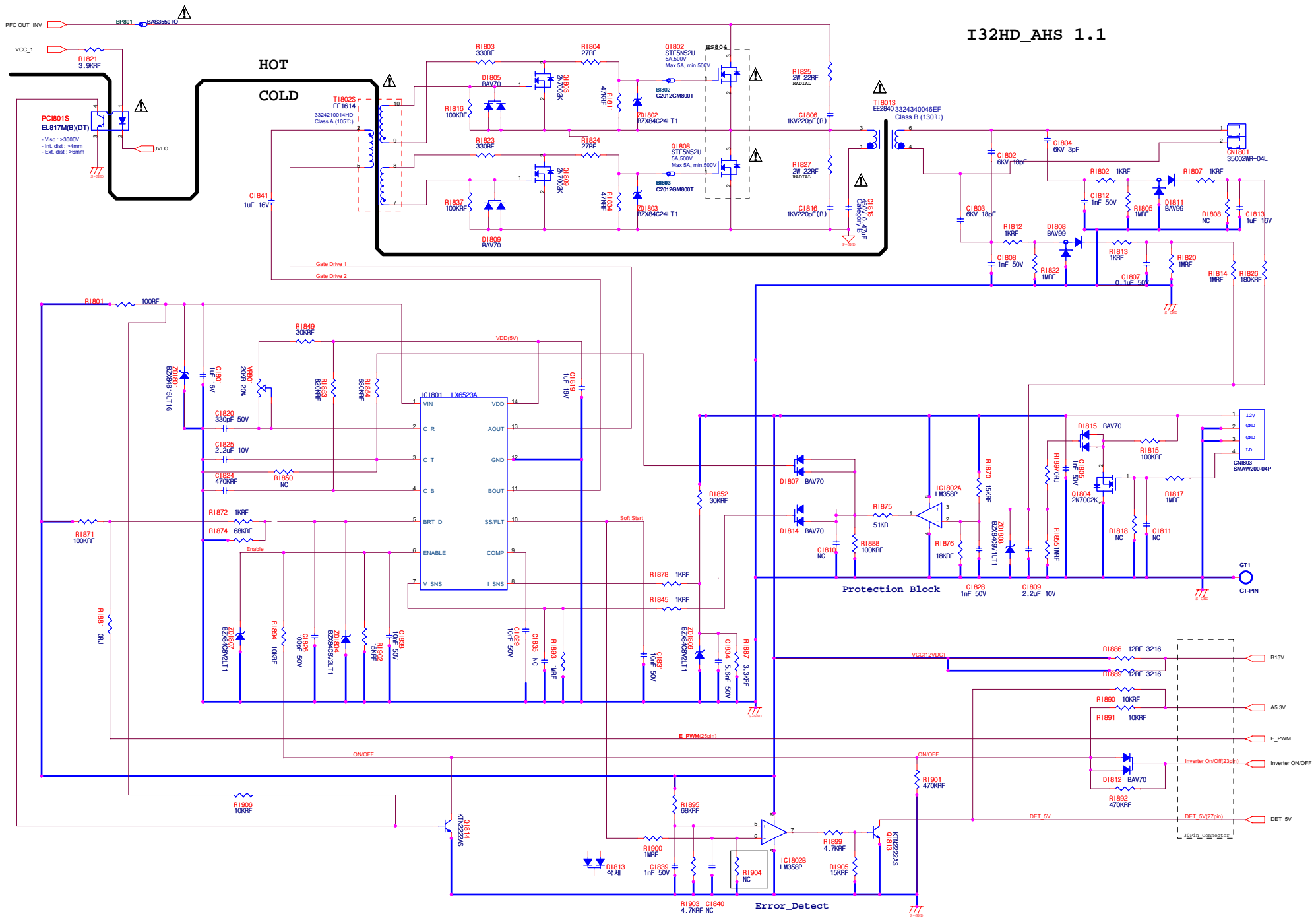


AC FILTER BLOCK



NC : No Connection
 ** No marking resistor 1608 1% and
 ** No marking capacitor 1608 0.5% and

| | | |
|----------------------------------|------------------------------|---------|
| File I32HD_AHS(POWER Block) | | |
| Size A2 | Document Number B1444-003696 | Rev 1.1 |
| Date: Thursday, January 28, 2010 | Sheet 1 of 1 | |



I32HD_AHS 1.1

** NC : No Connection
 ** No marking resistor 1608 1% SMD
 ** No marking capacitor 1608 X7R SMD

| | | |
|-------|----------------------------|--------------|
| Title | | I32HD_AHS |
| Size | Document Number | BN44-003698 |
| A2 | | |
| Date: | Thursday, January 28, 2010 | Sheet 1 of 1 |
| | | Rev 1.1 |