

FROM THE FOUNDER OF THE #VIKISEWS BRAND



Back in 2016, when I was working on my first set of sewing instructions, I was trying to write them in such a way that even a complete beginner could easily understand and use them to create their very first garment. These instructions laid the foundation for the Vikisews brand, its vision and its mission. I wanted to create modern patterns with the utmost detailed and clear instructions.

Now, with each new collection we are constantly improving our instructions, amending them and adding more relevant details. By the time the final product reaches you, our drafters, correctors, and editors would have spent weeks perfecting every word and every photograph. If you compile a few of our instructions together, you will get a sewing manual that will assist you in sewing all kinds of garments at any difficulty level.

And I would be very happy if these instructions helped you to turn your hobby into a lifelong passion... Enjoy the process! Create your ultimate dream wardrobe! Wear your garments proudly for years to come!

If you have any questions, please contact us at info@vikisews.com — we are always there to help.



SHELLY PATTERN DESCRIPTION

Shelly is a loose-fitting single-breasted coat with a straight cut. It features a detachable hood and front patch pockets with pointed flaps that fasten with a button and buttonhole. The back features a yoke with a decorative button tab at the center. The coat has a drop shoulder and long, shirt-style, two-piece sleeves embellished with a tab at the hem, which fastens with a button and buttonhole. There are inseam pockets in the side seams and short slits at the hem. The coat has a turn-down collar with a collar stand and a center front button closure. The coat hem is curved and is longer at the back. Decorative topstitching accentuates the pocket flaps, sleeve tabs, back yoke tab, collar, yoke, inseam pocket openings, front edge, as well as garment hem and slits. The coat is fully lined and is below-hip length.



IMPORTANT!

The contents of this pattern are copyright protected and belong exclusively to Vikisews. You may use Vikisews patterns for personal use. It is prohibited to share Vikisews patterns and instructions with third parties, as well as to publish patterns and instructions online for public access. **Non-compliance with the mentioned rules is a violation of the US copyright law and may result in civil liability and criminal prosecution.**

You may use Vikisews patterns for commercial use, to sew custom-made garments and/or create fashion collections, on the condition that the patterns are solely used in a manufacturing setting and are not further shared with individuals.

TOTAL EASE ALLOWANCE

| | Chest ease | Waistline ease | Hipline ease | Upper arm ease |
|--------|---------------|----------------|--------------|----------------|
| cm | 29.7–39 | 33.1–48.2 | 20.3–27.5 | 9.2–14.9 |
| inches | 11 3/4–15 3/8 | 13–19 | 8–10 7/8 | 3 5/8–5 7/8 |

GARMENT LENGTH, SLEEVE LENGTH

| Height, cm | Center back length, cm | Sleeve length including shoulder width, cm |
|------------|------------------------|--|
| 98 | 54.5 | 43–43.5 |
| 104 | 58.5 | 45.5–46 |
| 110 | 62.5 | 48.5–49 |
| 116 | 66.5 | 51–51.5 |
| 122 | 70.5 | 53.9–54.5 |
| 128 | 73.5 | 56.5–56.9 |
| 134 | 76.5 | 59–59.4 |
| 140 | 79.5 | 61.4–61.9 |
| 146 | 82.5 | 64–64.5 |
| 152 | 85.5 | 66.2–66.7 |
| 158 | 88.5 | 69.8–70 |

| Height, ft | Center back length, in | Sleeve length including shoulder width, in |
|------------|------------------------|--|
| 38.5 | 21 1/2 | 16 7/8–17 1/8 |
| 41 | 23 | 17 7/8–18 1/8 |
| 43.25 | 24 5/8 | 19 1/8–19 1/4 |
| 45.5 | 26 1/8 | 20 1/8–20 1/4 |
| 48 | 27 3/4 | 21 1/4–21 1/2 |
| 50.5 | 28 7/8 | 22 1/4–22 3/8 |
| 52.75 | 30 1/8 | 23 1/4–23 3/8 |
| 55 | 31 1/4 | 24 1/8–24 3/8 |
| 57.5 | 32 1/2 | 25 1/4–25 3/8 |
| 60 | 33 5/8 | 26 1/8–26 1/4 |
| 62.25 | 34 7/8 | 27 1/2–27 1/2 |

SUGGESTED FABRIC

To sew this coat, choose coating fabrics with the following properties:

- medium-weight, pliable, breathable, soft, non-stretch or low-stretch, opaque
- the fiber content can include natural fibers (wool, silk, cotton, linen), artificial (viscose), blends (wool + silk, wool + polyester, cotton + viscose, etc.), and synthetic (polyester, polyester + elastane)
- the following fabrics are recommended: wool coating, cashmere, tweed, Melton wool, bouclé, jacquard, ponte di roma, felted wool.

Attention! We do not recommend stretchy knit materials (jersey fabrics), or lightweight sheer fabrics (organza, chiffon, stretch lace).

For the lining, use lining fabrics made from artificial fibers (viscose), blends (viscose + elastane, viscose + polyester), or synthetics (polyester, polyester + elastane).

For the hood, use knit fabrics made from natural fibers (cotton) and blends (cotton + viscose, cotton + polyester). The following types of knit fabrics are recommended: French terry, sweatshirt fleece.

The coat in the photos is made of tweed coating. The fabric is medium-weight, pliable, soft, and low-stretch. The fiber content is wool + viscose. The lining is 100% viscose. The detachable hood is made of French terry.

FABRIC AND NOTIONS REQUIREMENTS

1. Main fabric, 140 cm wide, cut in one direction, in meters:

| Height, cm | Size | | | | | | | |
|------------|------|------|------|------|------|------|------|------|
| | 26 | 28 | 30 | 32 | 34 | 36 | 38 | 40 |
| 98 | 1.15 | 1.15 | - | - | - | - | - | - |
| 104 | - | 1.2 | 1.2 | - | - | - | - | - |
| 110 | - | 1.25 | 1.25 | - | - | - | - | - |
| 116 | - | 1.3 | 1.3 | - | - | - | - | - |
| 122 | - | - | 1.45 | 1.45 | - | - | - | - |
| 128 | - | - | 1.5 | 1.5 | 1.5 | - | - | - |
| 134 | - | - | - | 1.55 | 1.55 | 1.65 | - | - |
| 140 | - | - | - | - | 1.6 | 1.7 | 1.7 | - |
| 146 | - | - | - | - | - | 1.75 | 1.75 | 1.75 |
| 152 | - | - | - | - | - | 1.8 | 1.8 | 1.8 |
| 158 | - | - | - | - | - | - | 1.9 | 1.9 |

Main fabric, 55" wide, cut in one direction, in yards:

| Height, ft | Size | | | | | | | |
|------------|-------|-------|-------|-------|-------|-------|-------|-------|
| | 26 | 28 | 30 | 32 | 34 | 36 | 38 | 40 |
| 38.5 | 1 1/4 | 1 1/4 | - | - | - | - | - | - |
| 41 | - | 1 1/4 | 1 1/4 | - | - | - | - | - |
| 43.25 | - | 1 3/8 | 1 3/8 | - | - | - | - | - |
| 45.5 | - | 1 3/8 | 1 3/8 | - | - | - | - | - |
| 48 | - | - | 1 5/8 | 1 5/8 | - | - | - | - |
| 50.5 | - | - | 1 5/8 | 1 5/8 | 1 5/8 | - | - | - |
| 52.75 | - | - | - | 1 3/4 | 1 3/4 | 1 3/4 | - | - |
| 55 | - | - | - | - | 1 3/4 | 1 7/8 | 1 7/8 | - |
| 57.5 | - | - | - | - | - | 1 7/8 | 1 7/8 | 1 7/8 |
| 60 | - | - | - | - | - | 2 | 2 | 2 |
| 62.25 | - | - | - | - | - | - | 2 1/8 | 2 1/8 |

2. Lining fabric, 140cm wide, in meters:

| Height, cm | Size | | | | | | | |
|------------|------|------|------|------|------|------|-----|-----|
| | 26 | 28 | 30 | 32 | 34 | 36 | 38 | 40 |
| 98 | 0.65 | 0.65 | - | - | - | - | - | - |
| 104 | 0.7 | 0.7 | - | - | - | - | - | - |
| 110 | - | 0.75 | 0.75 | - | - | - | - | - |
| 116 | - | 0.8 | 0.8 | - | - | - | - | - |
| 122 | - | - | 0.95 | 0.95 | - | - | - | - |
| 128 | - | - | 1.0 | 1.0 | 1.0 | - | - | - |
| 134 | - | - | - | 1.0 | 1.0 | 1.15 | - | - |
| 140 | - | - | - | - | 1.05 | 1.2 | 1.2 | - |
| 146 | - | - | - | - | - | 1.3 | 1.3 | 1.3 |
| 152 | - | - | - | - | - | 1.3 | 1.3 | 1.3 |
| 158 | - | - | - | - | - | - | 1.4 | 1.4 |

Lining fabric, 55" wide, in yards:

| Height, ft | Size | | | | | | | |
|------------|------|-----|-------|-------|-------|-------|-------|-------|
| | 26 | 28 | 30 | 32 | 34 | 36 | 38 | 40 |
| 38.5 | 3/4 | 3/4 | - | - | - | - | - | - |
| 41 | 3/4 | 3/4 | - | - | - | - | - | - |
| 43.25 | - | 7/8 | 7/8 | - | - | - | - | - |
| 45.5 | - | 7/8 | 7/8 | - | - | - | - | - |
| 48 | - | - | 1 | 1 | - | - | - | - |
| 50.5 | - | - | 1 1/8 | 1 1/8 | 1 1/8 | - | - | - |
| 52.75 | - | - | - | 1 1/8 | 1 1/8 | 1 1/4 | - | - |
| 55 | - | - | - | - | 1 1/8 | 1 1/4 | 1 1/4 | - |
| 57.5 | - | - | - | - | - | 1 3/8 | 1 3/8 | 1 3/8 |
| 60 | - | - | - | - | - | 1 3/8 | 1 3/8 | 1 3/8 |
| 62.25 | - | - | - | - | - | - | 1 1/2 | 1 1/2 |

3. Interfacing, 140 cm wide, in meters:

| Height, cm | Size | | | | | | | |
|------------|------|------|------|------|------|------|------|------|
| | 26 | 28 | 30 | 32 | 34 | 36 | 38 | 40 |
| 98 | 1.05 | 1.05 | - | - | - | - | - | - |
| 104 | 1.1 | 1.1 | - | - | - | - | - | - |
| 110 | - | 1.15 | 1.15 | - | - | - | - | - |
| 116 | - | 1.2 | 1.2 | - | - | - | - | - |
| 122 | - | - | 1.3 | 1.3 | - | - | - | - |
| 128 | - | - | 1.35 | 1.35 | 1.35 | - | - | - |
| 134 | - | - | - | 1.4 | 1.4 | 1.6 | - | - |
| 140 | - | - | - | - | 1.65 | 1.65 | 1.65 | - |
| 146 | - | - | - | - | - | 1.7 | 1.7 | 1.7 |
| 152 | - | - | - | - | - | - | 1.75 | 1.75 |
| 158 | - | - | - | - | - | - | 1.8 | 1.8 |

Interfacing, 55" wide, in yards:

| Height, ft | Size | | | | | | | |
|------------|-------|-------|-------|-------|-------|-------|-------|-------|
| | 26 | 28 | 30 | 32 | 34 | 36 | 38 | 40 |
| 38.5 | 1 1/8 | 1 1/8 | - | - | - | - | - | - |
| 41 | 1 1/4 | 1 1/4 | - | - | - | - | - | - |
| 43.25 | - | 1 1/4 | 1 1/4 | - | - | - | - | - |
| 45.5 | - | 1 1/4 | 1 1/4 | - | - | - | - | - |
| 48 | - | - | 1 3/8 | 1 3/8 | - | - | - | - |
| 50.5 | - | - | 1 1/2 | 1 1/2 | 1 1/2 | - | - | - |
| 52.75 | - | - | - | 1 1/2 | 1 1/2 | 1 3/4 | - | - |
| 55 | - | - | - | - | 1 3/4 | 1 3/4 | 1 3/4 | - |
| 57.5 | - | - | - | - | - | 1 7/8 | 1 7/8 | 1 7/8 |
| 60 | - | - | - | - | - | - | 1 7/8 | 1 7/8 |
| 62.25 | - | - | - | - | - | - | 2 | 2 |

- 4. Additional material for the detachable hood - 0.55 m (5/8 yd) for all sizes and heights.
- 5. Straight grain fusible tape, in meters:

| Height, cm | Size | | | | | | | |
|------------|------|------|-----|-----|------|------|-----|------|
| | 26 | 28 | 30 | 32 | 34 | 36 | 38 | 40 |
| 98 | 7.15 | 7.3 | - | - | - | - | - | - |
| 104 | 7.3 | 7.45 | - | - | - | - | - | - |
| 110 | - | 7.65 | 7.8 | - | - | - | - | - |
| 116 | - | 7.85 | 8 | - | - | - | - | - |
| 122 | - | - | 8.5 | 8.5 | - | - | - | - |
| 128 | - | - | 8.5 | 8.6 | 8.75 | - | - | - |
| 134 | - | - | - | 8.8 | 8.9 | 9 | - | - |
| 140 | - | - | - | - | 9.05 | 9.2 | 9.3 | - |
| 146 | - | - | - | - | - | 9.4 | 9.5 | 9.65 |
| 152 | - | - | - | - | - | 9.65 | 9.7 | 9.8 |
| 158 | - | - | - | - | - | - | 9.9 | 10 |

Straight grain fusible tape, in yards:

| Height, ft | Size | | | | | | | |
|------------|-------|-------|-------|-------|-------|--------|--------|--------|
| | 26 | 28 | 30 | 32 | 34 | 36 | 38 | 40 |
| 38.5 | 7 7/8 | 8 | - | - | - | - | - | - |
| 41 | 8 | 8 1/8 | - | - | - | - | - | - |
| 43.25 | - | 8 3/8 | 8 1/2 | - | - | - | - | - |
| 45.5 | - | 8 5/8 | 8 3/4 | - | - | - | - | - |
| 48 | - | - | 9 1/4 | 9 1/4 | - | - | - | - |
| 50.5 | - | - | 9 1/4 | 9 3/8 | 9 5/8 | - | - | - |
| 52.75 | - | - | - | 9 5/8 | 9 3/4 | 9 7/8 | - | - |
| 55 | - | - | - | - | 9 7/8 | 10 | 10 1/8 | - |
| 57.5 | - | - | - | - | - | 10 1/4 | 10 3/8 | 10 1/2 |
| 60 | - | - | - | - | - | 10 1/2 | 10 5/8 | 10 3/4 |
| 62.25 | - | - | - | - | - | - | 10 7/8 | 10 7/8 |

IMPORTANT! When purchasing fabric, please account for shrinkage and buy 5% more than required.

6. 11 buttons, 2.3 cm (7/8") in diameter
7. 13 transparent buttons, 1 cm (3/8") in diameter
8. Matching thread - 2 spools
9. Matching topstitching thread (e.g. Madeira №35) - 1 spool

TOOLS AND EQUIPMENT

- sewing machine for construction
- buttonhole foot for the sewing machine
- edgestitch foot (optional)

PATTERN PIECES LIST

1. From main fabric:

- front - cut 2
- back - cut 1
- back yoke - cut 1
- front facing - cut 2
- top sleeve - cut 2
- bottom sleeve - cut 2
- undercollar - cut 2
- upper collar - cut 1
- collar stand - cut 2
- top sleeve tab - cut 2
- bottom sleeve tab - cut 2
- pocket - cut 2
- top pocket flap - cut 2
- bottom pocket flap - cut 2
- side pocket facing - cut 2
- back yoke tab - cut 2
- front hem facing - cut 2
- back hem facing - cut 1

2. From lining:

- front lining - cut 2
- back lining - cut 1
- back yoke lining - cut 1 on fold
- top sleeve lining - cut 2
- bottom sleeve lining - cut 2
- pocket lining - cut 2
- side pocket top lining - cut 2
- side pocket bottom lining - cut 2

3. From additional material:

- side hood - cut 2
- inner side hood - cut 2
- center hood panel - cut 1
- inner center hood panel - cut 1
- tie for channel - 1 cut on fold

IMPORTANT! Don't forget to transfer all pattern markings and notches onto the fabric.

4. From interfacing:

- front - cut 2
- back - cut 1
- back yoke - cut 1
- front facing - cut 2
- top sleeve (partly) - cut 2
- bottom sleeve (partly) - cut 2
- undercollar - cut 2
- upper collar - cut 1
- collar stand - cut 2
- top sleeve tab - cut 2
- bottom sleeve tab - cut 2
- pocket - cut 2
- top pocket flap - cut 2
- bottom pocket flap - cut 2
- side pocket facing - cut 2
- back yoke tab - cut 2
- front hem facing - cut 2
- back hem facing - cut 1

SEAM ALLOWANCES

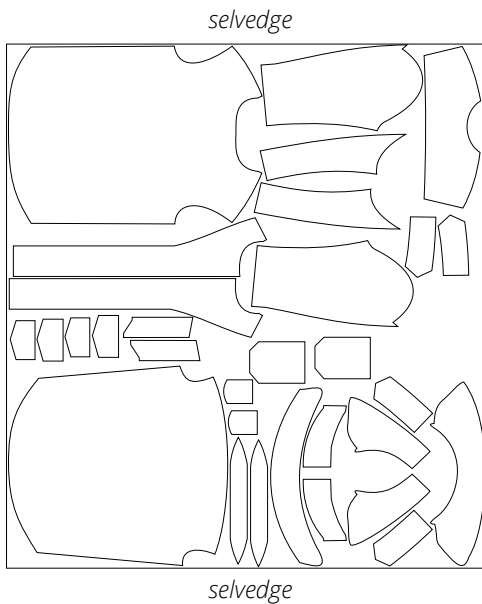
All pattern pieces include seam allowances as follows:

- sleeve hem allowance – 4 cm (1 5/8")
- all other seams – 1 cm (3/8")

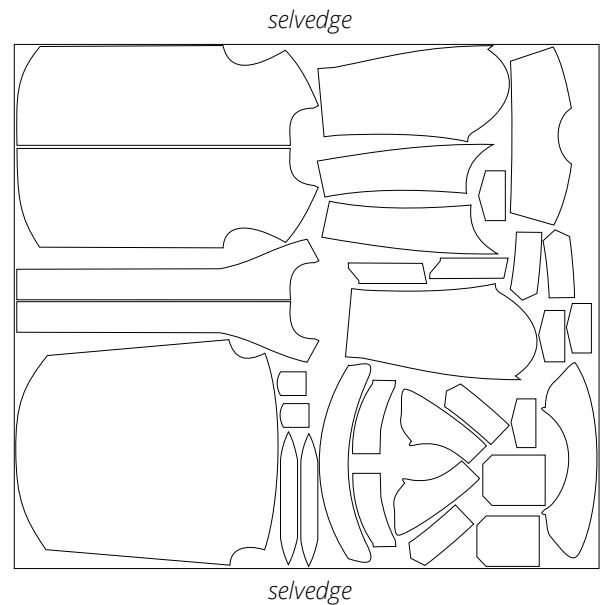
Take this into account when laying out pattern pieces on the fabric.

CUTTING LAYOUT

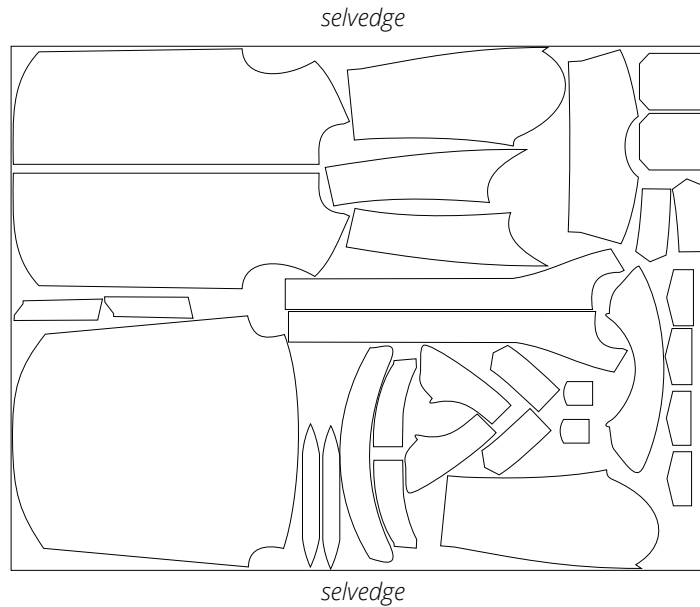
Main fabric, 140 cm (55") wide, single layer,
for sizes 26–28 in heights 98–104 (38.5–41"),
for sizes 28–30 in heights 110–116
(43.25–45.5"), placed in one direction



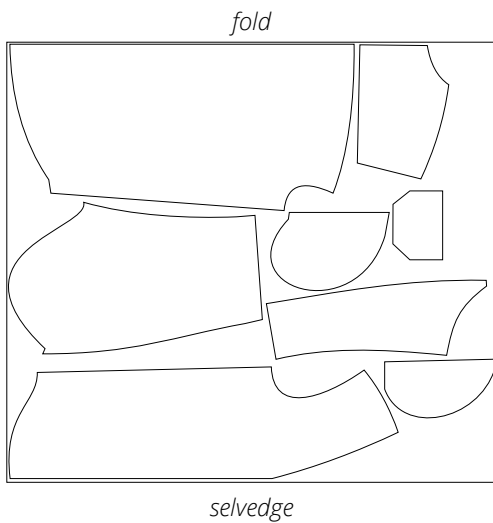
Main fabric, 140 cm (55") wide, single layer,
for sizes 30–32 in height 122 (48"), for sizes 30–34
in height 128 (50.5"), for sizes 32–34 in height 134
(52.75"), for size 34 in height 140 (55"), placed in
one direction



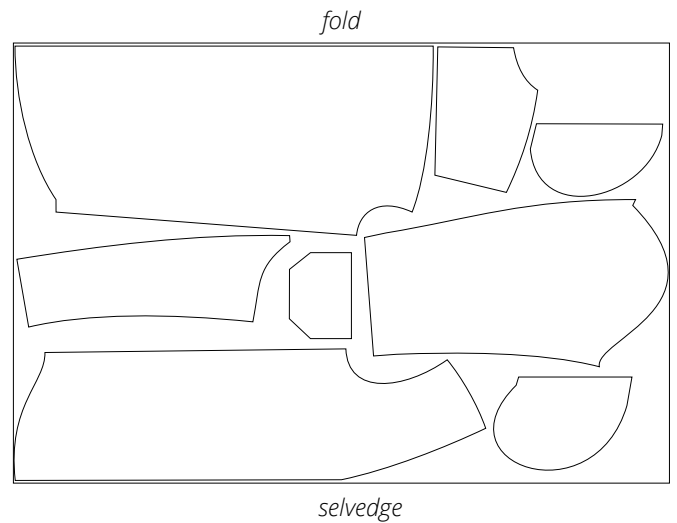
Main fabric, 140 cm (55") wide, single layer, for size 36 in heights 134–152 (52.75–60"),
 for size 38 in heights 140–158 (55–62.25"), for size 40 in height 146–158 (57.5– 62.25")
 placed in one direction



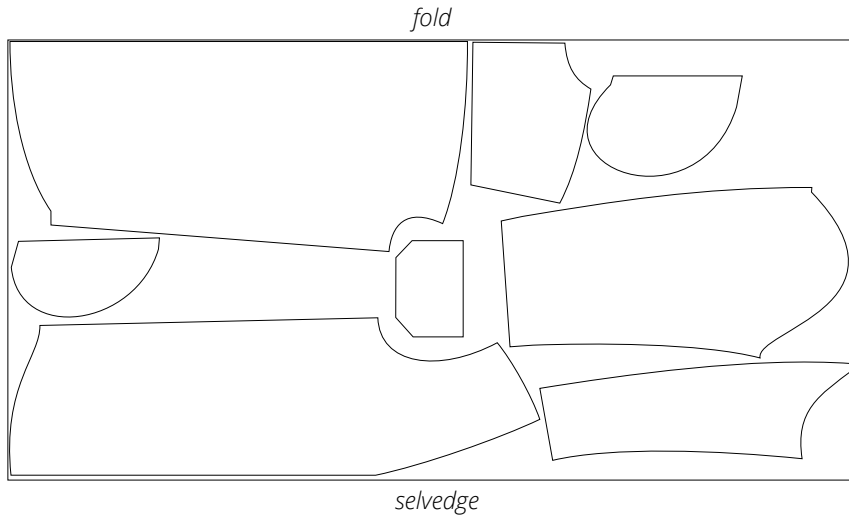
Lining fabric, 140 cm (55") wide, folded,
 for sizes 26–28 in heights 98–104 (38.5–41"),
 for sizes 28–30 in heights 110–116 (43.25–45.5")



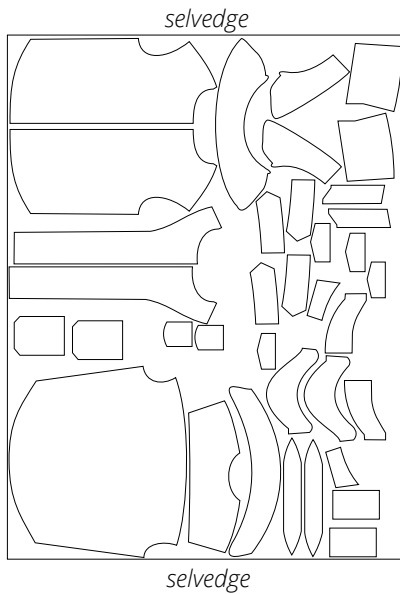
Lining fabric, 140 cm (55") wide, folded, for size
 30 in heights 122–128 (48–50.5"), for size 32 in
 heights 122–134 (48–52.75"), for size 34 in
 heights 128–140 (50.5–55")



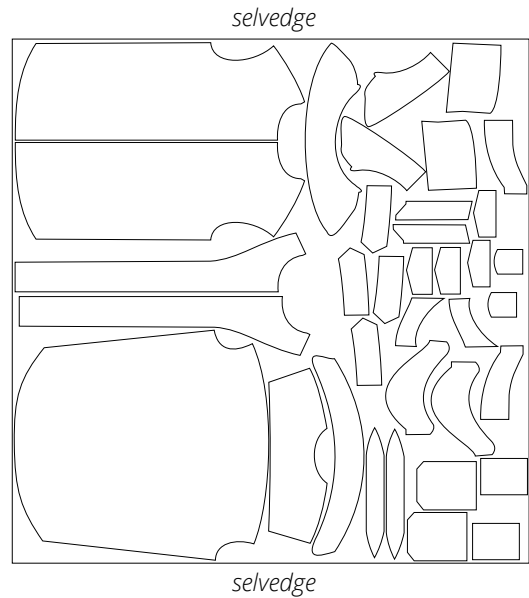
Lining fabric, 140 cm (55") wide, folded, for size 36 in heights 134–152 (52.75–60"),
 for size 38 in heights 140–158 (55–62.25"), for size 40 in heights 146–158 (57.5–62.25")



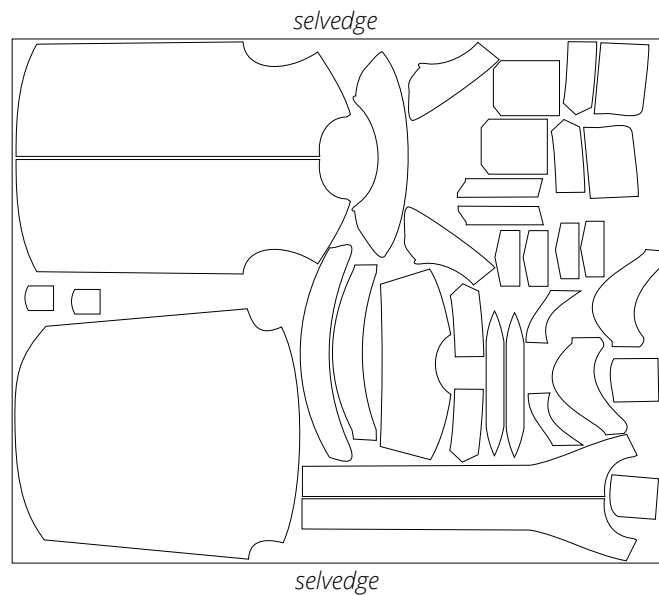
Interfacing, 140 cm (55") wide, single layer, for
 sizes 26–28 in heights 98–104 (38.5–41"), for
 sizes 28–30 in heights 110–116 (43.25–45.5")



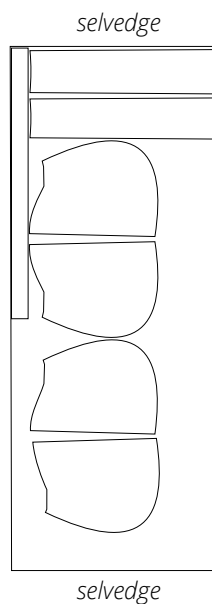
Interfacing, 140 cm (55") wide, single layer, for
 sizes 30–32 in heights 122–128 (48–50.5"), for
 size 32 in height 134 (52.75"); for size 34 in
 heights 128–140 (50.5–55")



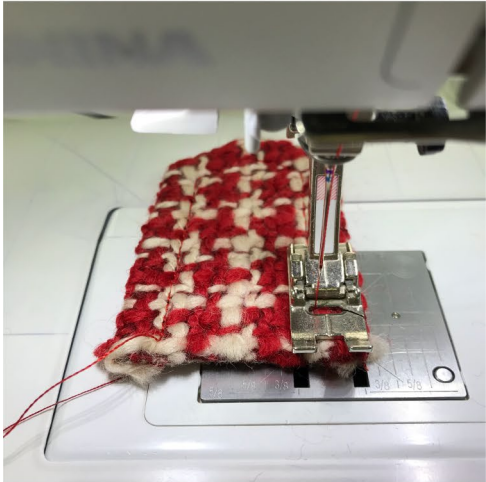
Interfacing, 140 cm (55") wide, single layer, for sizes 36,
38, and 40 in heights 122-140 (48-55")



Additional material for the detachable hood,
140 cm (55") wide, single layer, for all sizes



READY? LET'S GET SEWING!



Topstitch the pocket flaps, sleeve tabs, and back yoke tab along the shaped edges with topstitching thread. The stitching line should be at 6 mm (1/4") from the edge. The stitch length is 4 mm. Backstitch in the beginning and end.

Press all the pieces once again.



Mark the buttonhole placement (transfer from the pattern) on the yoke tab, sleeve tabs, and pocket flaps. Stitch the buttonholes using a special buttonhole foot (comes with most sewing machines).

Press the buttonholes.

